

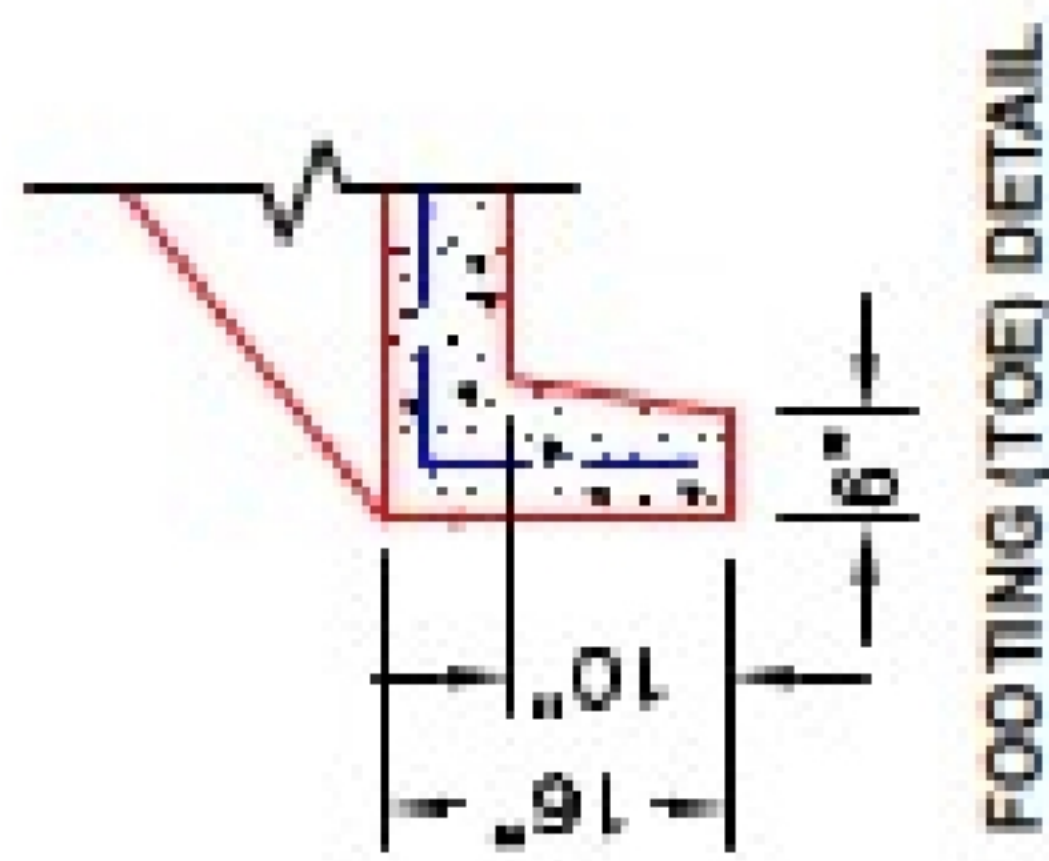
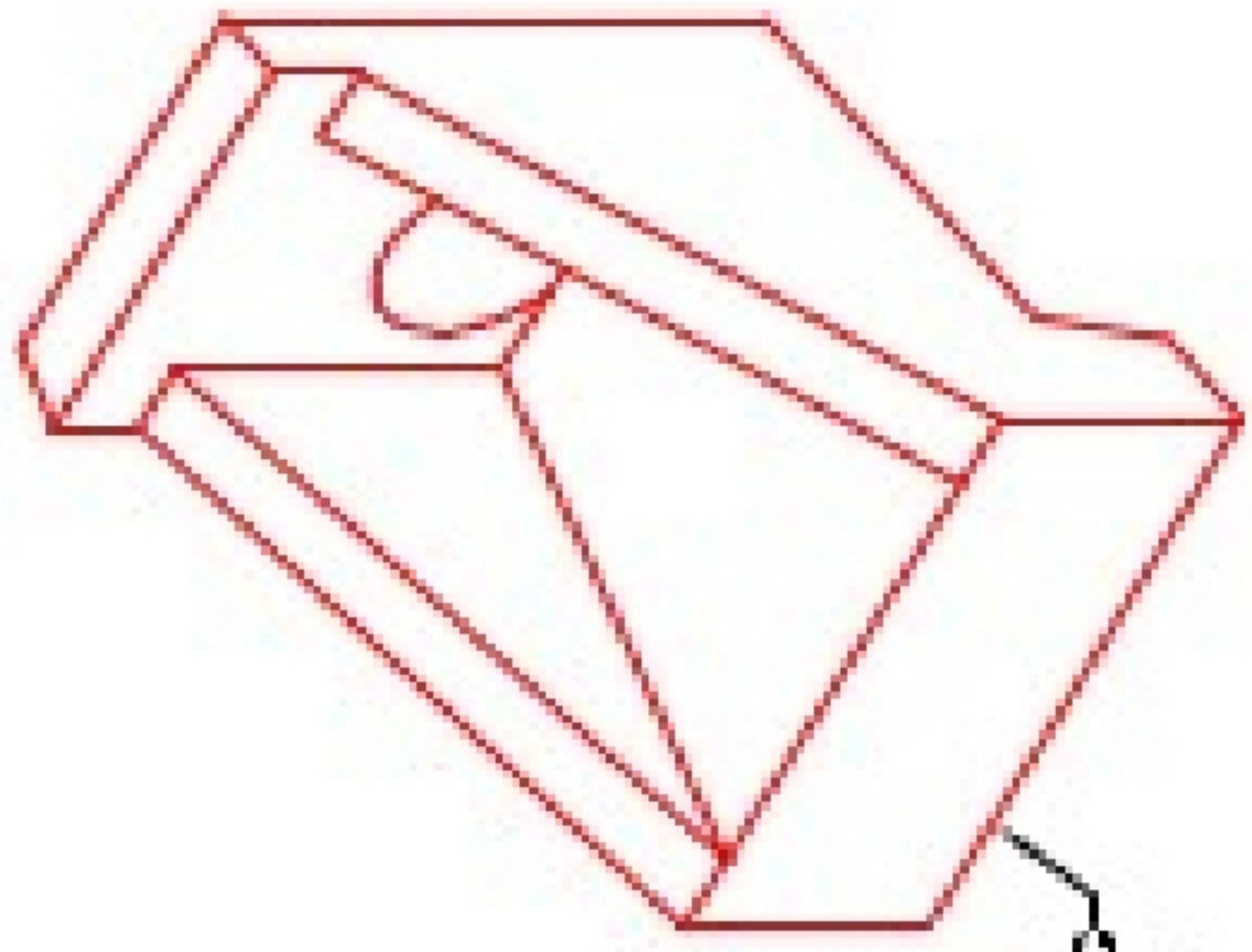


**Structure ID: HW-24**

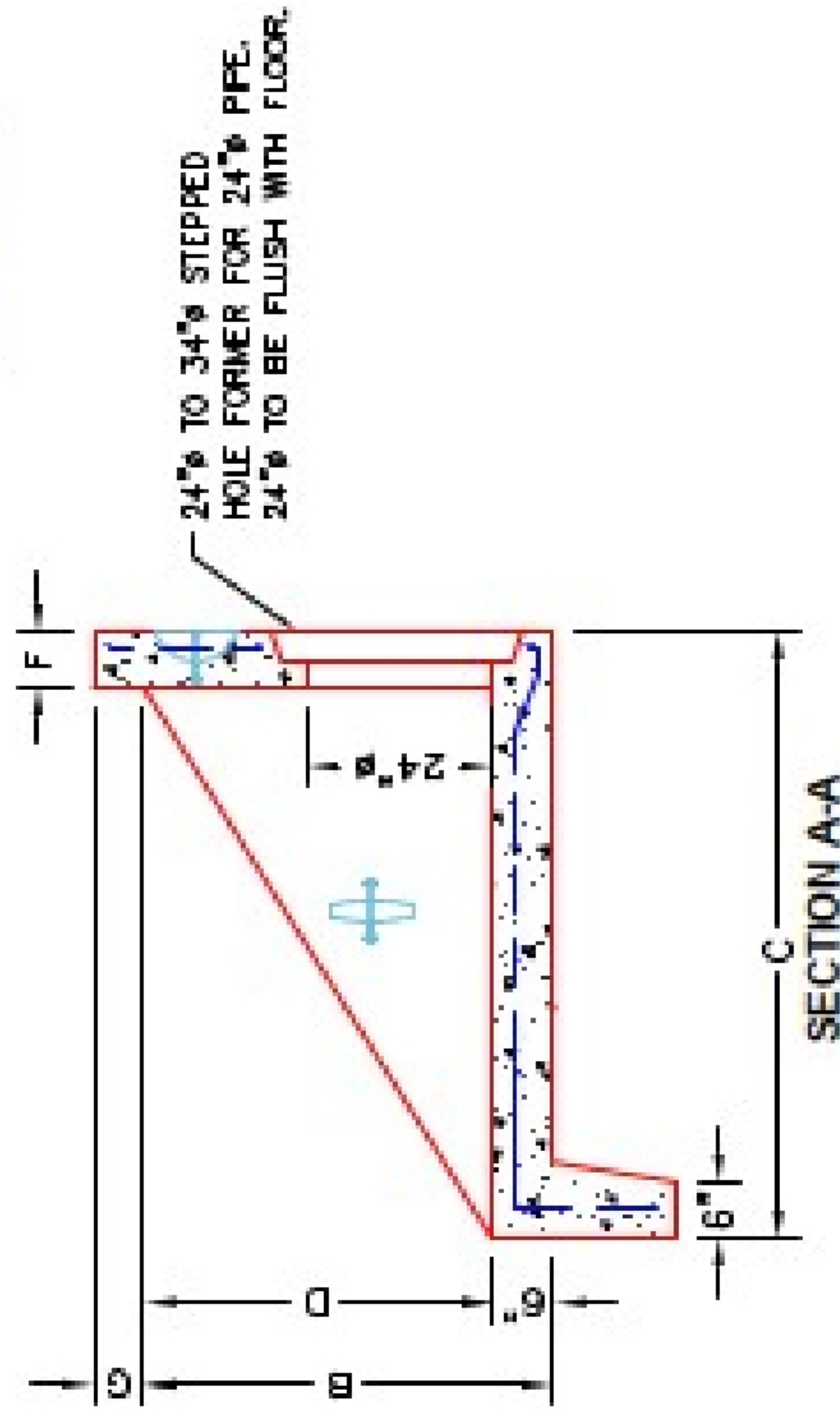
**P1 HWBW24**

**24" - HW BW w/FOOTER F/F**

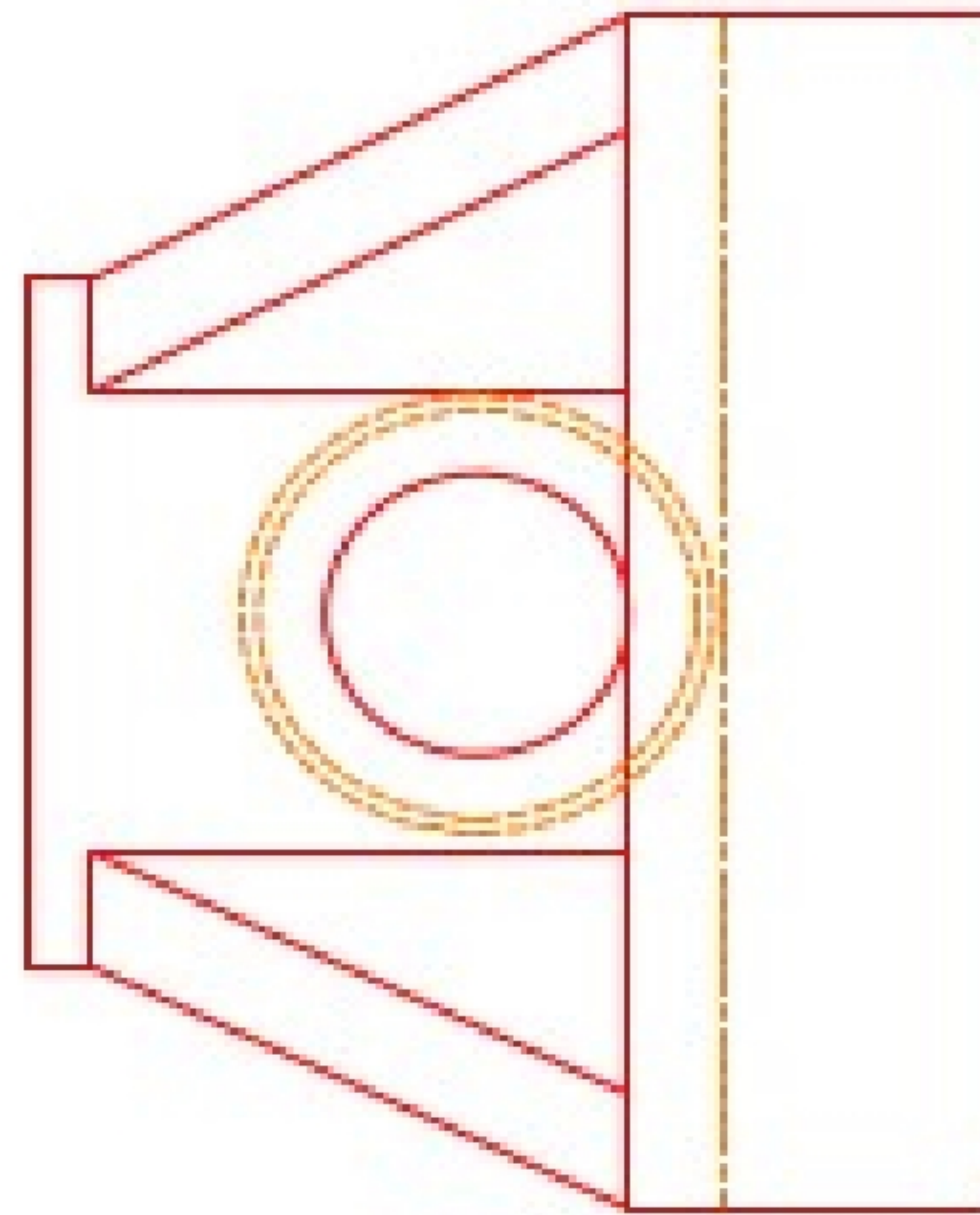
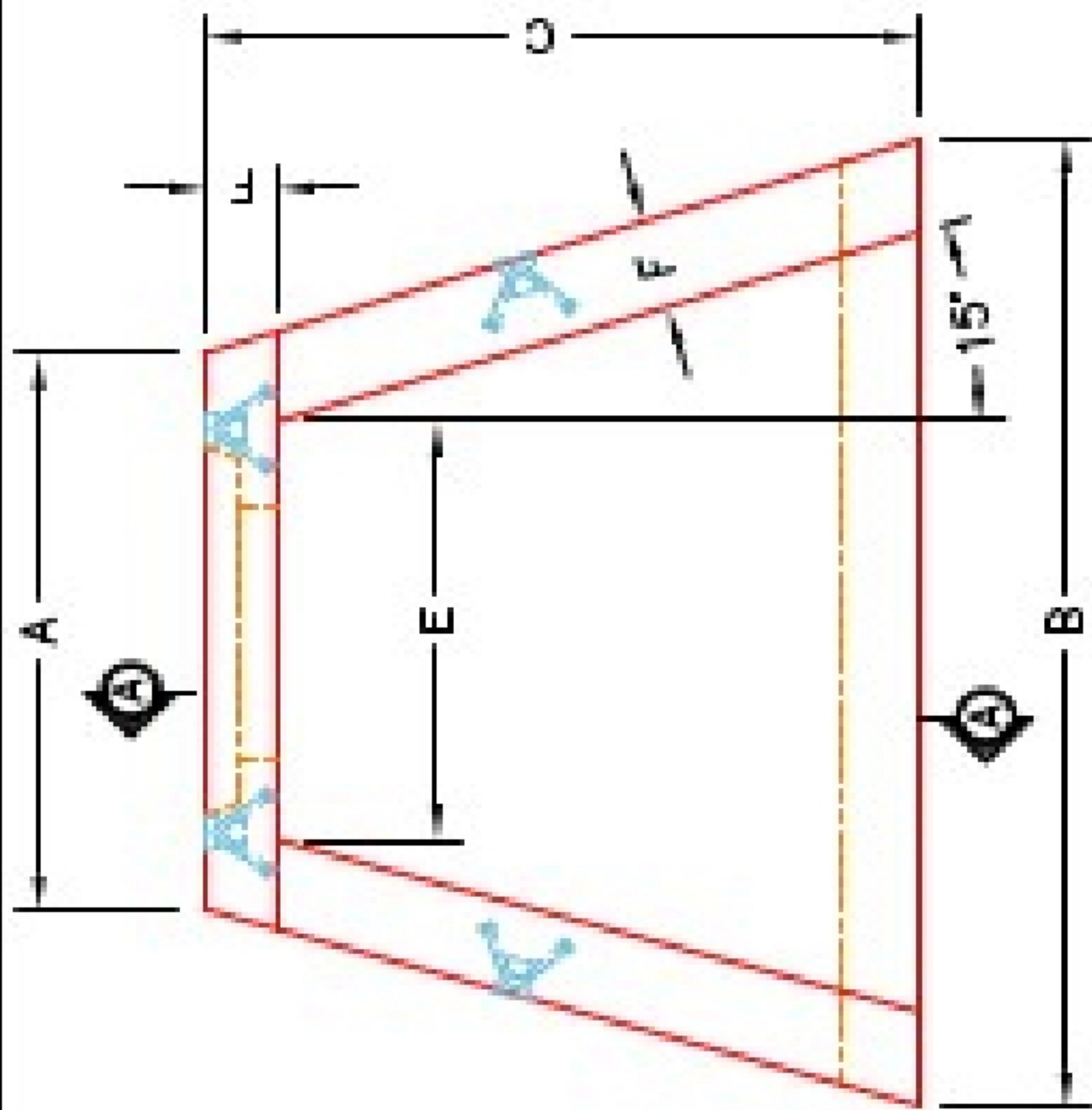
DIMENSIONS & QUANTITIES										
TYPE	PIPE Ø	A	B	C	D	E	F	G	WEIGHT W/TOE	WEIGHT
BW	24"	4'-0"	6'-0"	3'-8"	3'-0"	3'-0"	8"	6"	3,475 LBS.	3,100 LBS.



WITH FOOTING  
(SEE DETAIL)



24"Ø TO 34"Ø STEPPED  
HOLE FORMER FOR 24"Ø PIPE.  
24"Ø TO BE FLUSH WITH FLOOR.



- ~NOTES:
1. CONCRETE: 4500 PSI AT 28 DAYS MIN. STRENGTH.
  2. REINFORCING: #4 BAR @ 12" C/C E.W. - GRADE 60, (WITH 2" CONCRETE COVER MINIMUM)
  3. REINFORCING BARS TO BE TACK WELDED OR TIED.

PRODUCTION WORK ORDER	
PRODUCT I.D.: HWBW24	DESCRIPTION: BW WINGED HEADWALL FOR 24"Ø PIPE
PRODUCT VIEW: RIGHT SIDE UP	CUSTOMER: STOCK
PLANT: BEAVER DAM, KY.	PROJECT: STOCK
WEIGHT: 3,475 LBS.	STRUCTURE ID.: STOCK
TOP SECTION JOINT: N/A	SALES ORDER NO.: T.B.D.
BASE SECTION JOINT: N/A	CHECK: A. WELLS
QC CHECK INITIALS:	DATE: 04/06/23
	SCALE: NTS
	PG. 1 of 1

