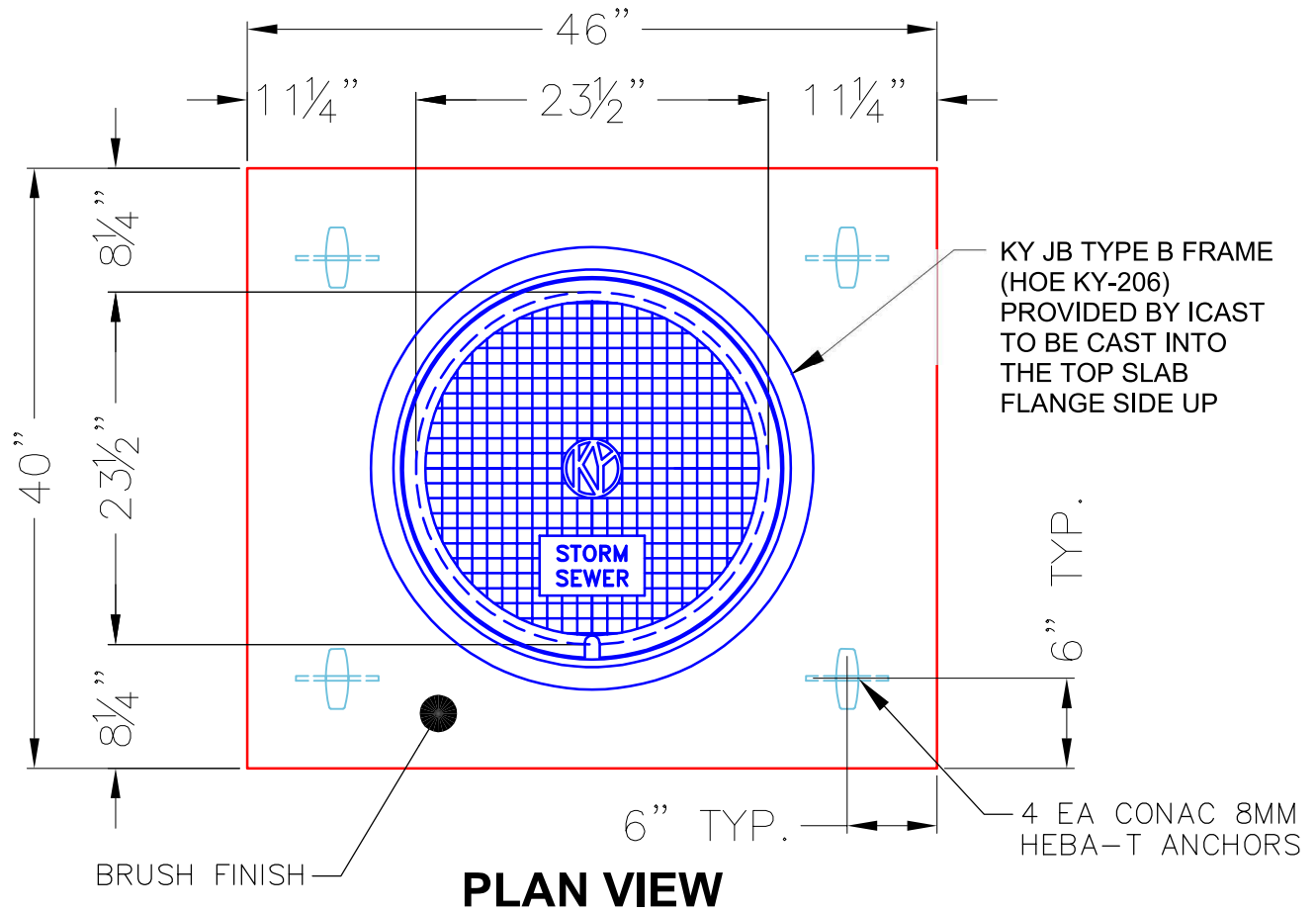
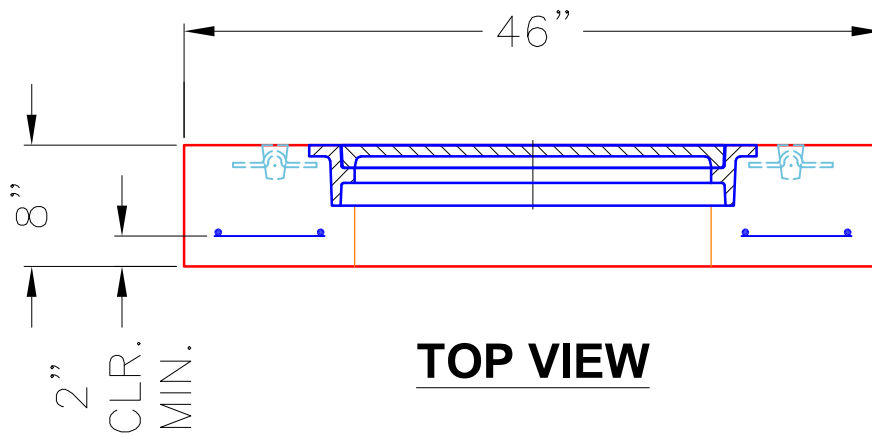


THIS DRAWING IS INTENDED TO BE PRINTED IN COLOR.

****KYTC CERTS REQUIRED****




PLAN VIEW



TOP VIEW

NOTES:

- CONCRETE: 4500 PSI @ 28 DAYS.
- MANUFACTURE TO KYTC SPECIFICATIONS.
- REINFORCING: #4 BAR @ 6" C/C E.W.-GRADE 60.
(BOTTOM LAYER ONLY)
- 4 EA. CONAC 8MM HEBA-T LIFTERS REQUIRED.

PRODUCTION WORK ORDER		PRODUCT I.D.: BX024030-08LD08S	DESCRIPTION: 40" X 46" X 8" THK TOP SLAB FOR KYTC JB TYPE B - 24" X 30" BOX	
	QUALITY CONTROL CHECKLIST		PRODUCT VIEW: RIGHT SIDE UP	
	<input type="checkbox"/> ALL DIMENSIONS CORRECT. <input type="checkbox"/> LIFTERS INSTALLED. <input type="checkbox"/> CASTING CORRECT LOCATION. <input type="checkbox"/> REINFORCING CORRECT. <input type="checkbox"/> JOINT INSTALLED IF NEEDED.. <input type="checkbox"/> TOP EDGE ROUNDED. <input type="checkbox"/> ANY PATCHWORK ACCEPTABLE.		CUSTOMER: LOUISVILLE PAVING AND CONSTRUCTION	
			PLANT: BEAVER DAM, KY.	
			PROJECT: MIDDLETOWN-EASTWOOD TRAIL	
			STRUCTURE ID.: 4 JBB	
		WEIGHT: 931 LBS.		
		TOP SECTION JOINT: NOT REQ'D.		
		SALES ORDER NO.: 25-2311B		
		BOTTOM JOINT: NOT REQ'D.		
		PC: J. JARVIS		
		DRAWING: J. COPPAGE		
		QC CHECK INITIALS:		
		DATE: 9/24/25		
		SCALE: NTS		
		PG. 1 of 1		

Job Number:

25-2311B

Job Name:

Middletown-Eastwood Trail Top Slabs

Structure:

4 JBB

Note:

HOE KY-206 Frame Supplied By
iCast To Be Cast Into Flat Lid Flange
Side Up