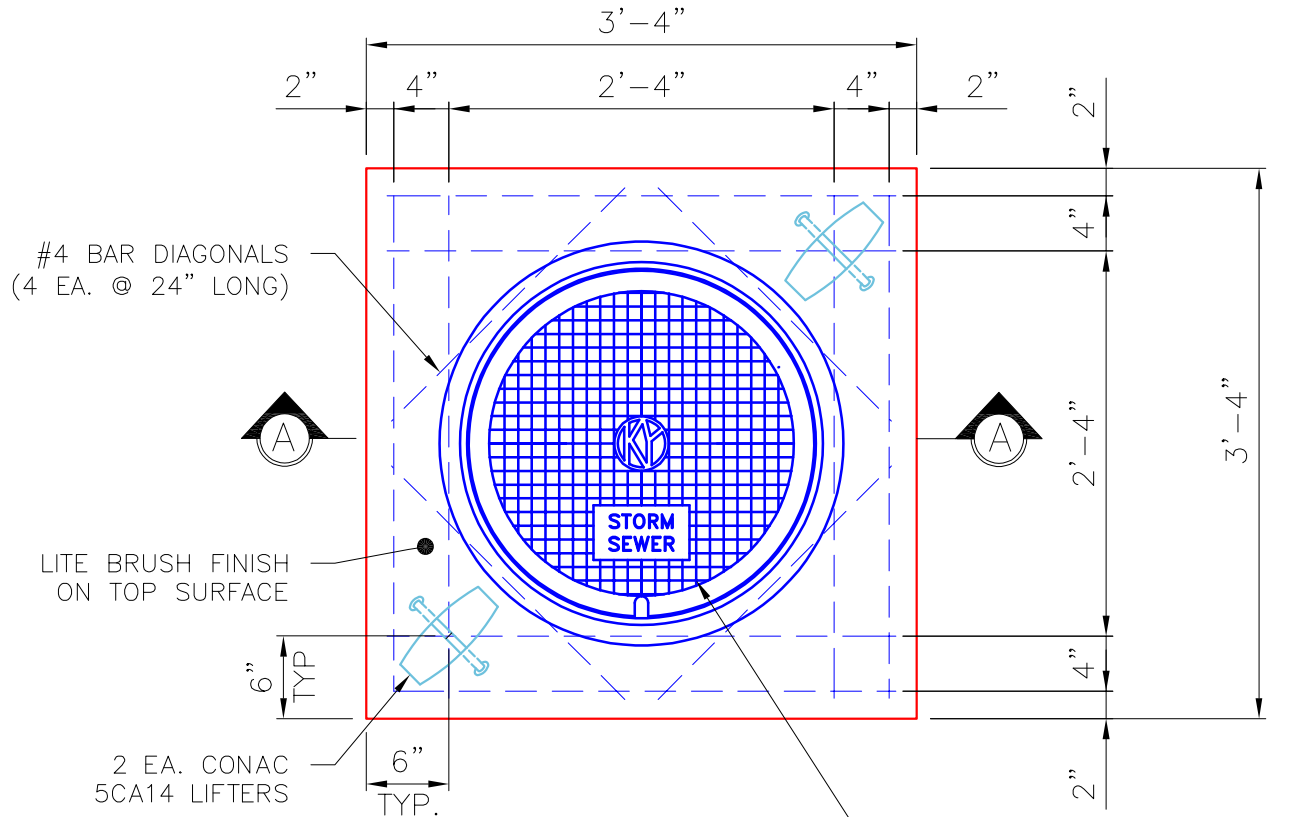


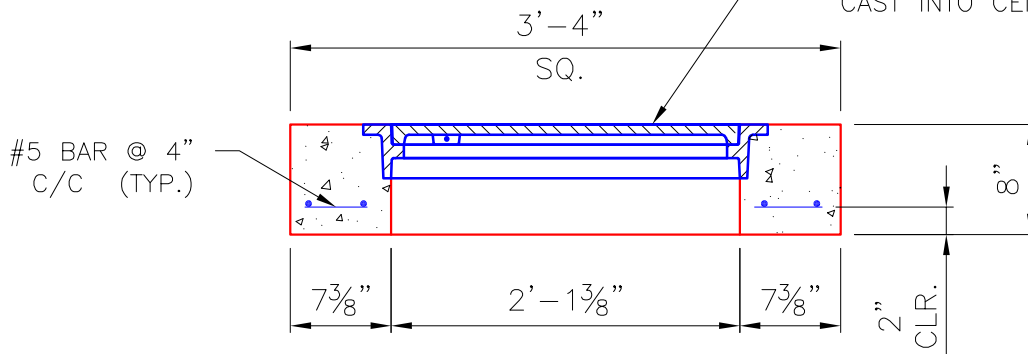
THIS DRAWING IS INTENDED TO BE PRINTED IN COLOR.

**\*KYTC STATE PROJECT\***



(PLAN VIEW)

KY JB B1 CASTING  
HOE KY-206 F/C  
SUPPLIED BY ICAST TO BE  
CAST INTO CENTER OF SLAB



(SECTION A-A)

**NOTES:**

- CONCRETE: 4500 PSI @ 28 DAYS.
- MANUFACTURED TO KYTC & ASTM C913 SPECIFICATIONS.
- REINFORCING PER ASTM A615 (GRADE 60).
- KYTC STATE CERTIFICATIONS REQUIRED.

BAR LIST	
QTY	SIZE & LENGTH
8	#5 x 36" LONG
4	#5 x 24" LONG

FOR STR. 206+00 (JB TY.B )

<p>PRODUCTION WORK ORDER</p>		<p>PRODUCT I.D.: BX024024-08LD08S</p>	<p>DESCRIPTION: CB TOP SLAB 24" X 24" X 8" (KY JB B1)</p>	
	<p>QUALITY CONTROL CHECKLIST</p> <p><input type="checkbox"/> ALL DIMENSIONS CORRECT.</p> <p><input type="checkbox"/> LIFTERS INSTALLED.</p> <p><input type="checkbox"/> OPENING CENTERED.</p> <p><input type="checkbox"/> REINFORCING CORRECT.</p> <p><input type="checkbox"/> NO JOINT INSTALLED.</p> <p><input type="checkbox"/> TOP EDGE ROUNDED.</p> <p><input type="checkbox"/> ANY PATCHWORK ACCEPTABLE.</p>		<p>PRODUCT VIEW: RIGHT SIDE UP</p> <p>PLANT: BEAVER DAM, KY.</p> <p>WEIGHT: 802 LBS.</p> <p>TOP SECTION JOINT: FLAT</p> <p>BOTTOM JOINT: FLAT</p> <p>QC CHECK INITIALS:</p>	<p>CUSTOMER: LOUISVILLE PAVING &amp; CONSTRUCTION</p> <p>PROJECT: MIDDLETOWN-EASTWOOD TRAIL</p> <p>STRUCTURE I.D.: 2 ST-JB</p> <p>QUOTE/ORDER NO: 25-2311B</p> <p>CEHCK: B. SMITH      DRAWING: J. HORSLEY</p> <p>DATE: 03/26/26      SCALE: NTS      PG. 1 of 1</p>