

Job Name: 25-2310 GOOSE CREEK SUBDIVISION
Job Location: Hartsville, TN
Contractor: Hayes Pipe Supply

PC: A.Chambers
 TECH: C.Russ
 Plant: Beaver Dam



Structure ID: **SSMH 5**
 Spec: Sanitary-Xypex
 Type: Manhole
 Size: 48"

Rim: 508'
 Invert: 502'
 Rim to Invert: 6'

Sump: 2"
 Floor (Top): 501.833'
 Floor Height: 6"

Floor (Bot): 501.333'
 Overall Height: 6.625'
 Slack: 0.5"

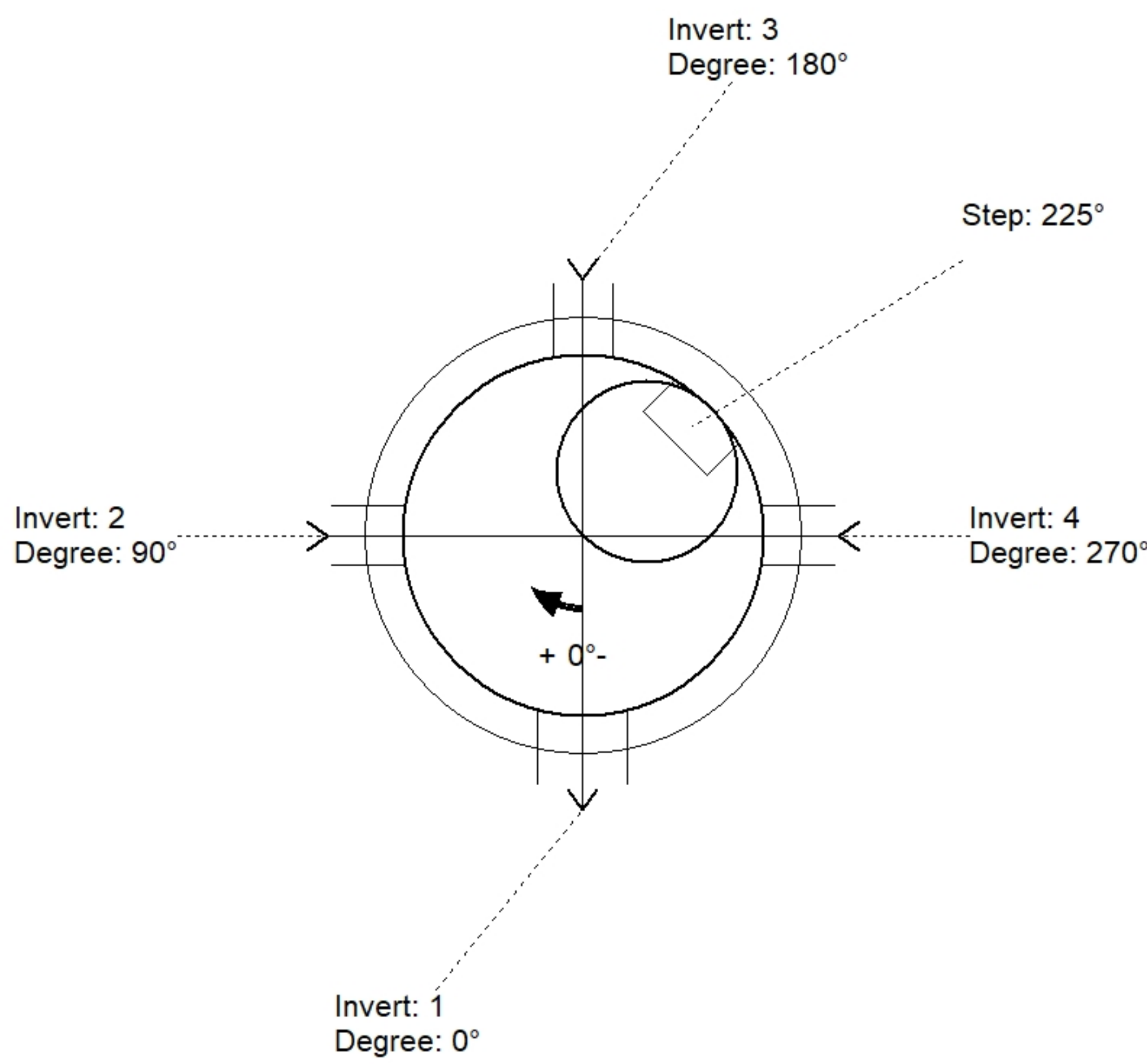
Structure Notes:

1. PER ASTM C478 SPECIFICATIONS.
2. CONCRETE = 4,000 PSI AT 28 DAYS.
3. ADMIXTURE = CONBLOCK-CDA RED.
4. CASTING BY OTHERS (JBS 1150 F/C).

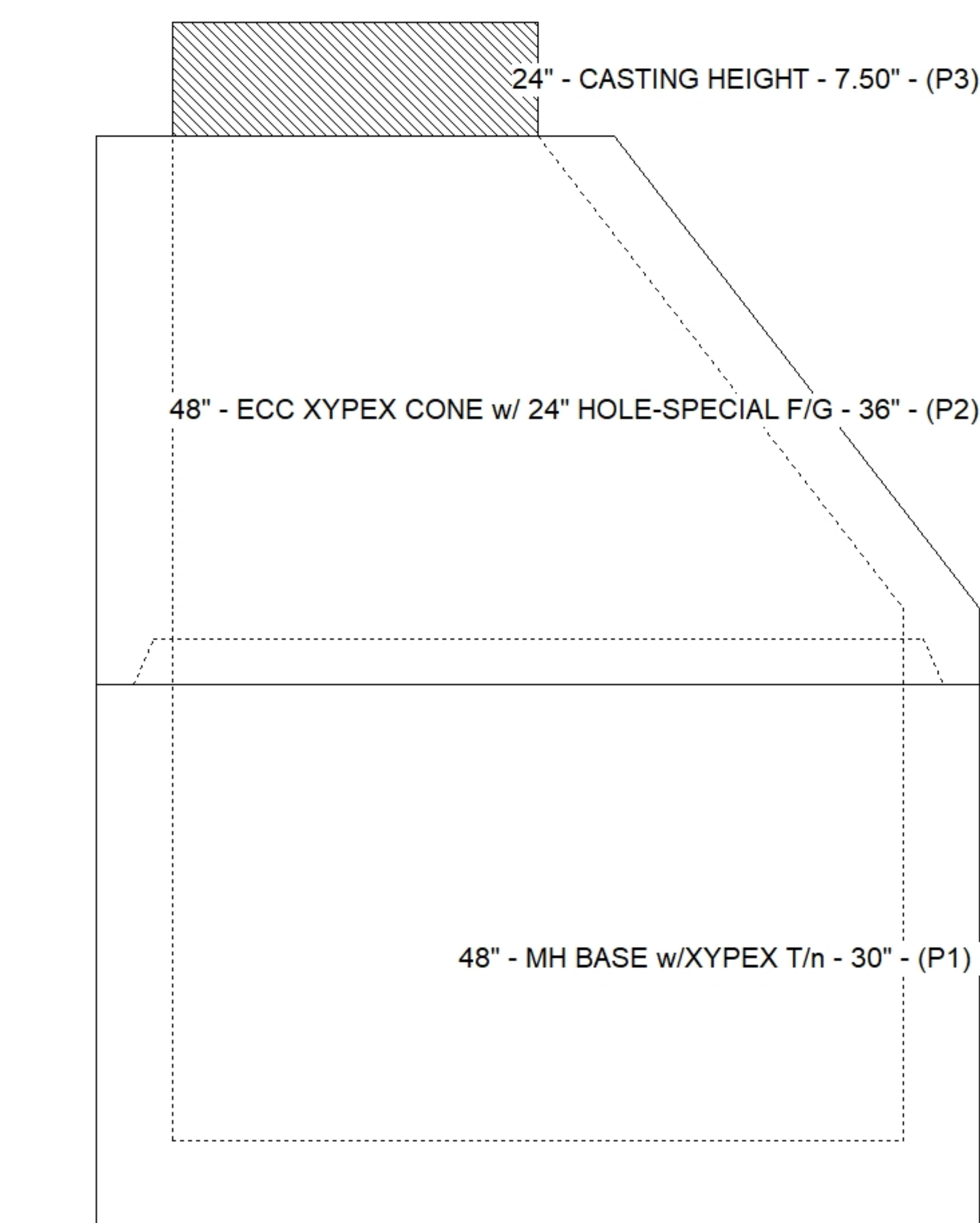
REINFORCING PER ASTM A615 (GRADE 60).
 - CONE (As .12)
 - RISER (As .12)
 - FLOOR (As .31) #5 BARS AT 12" C.C.E.W.

STRUCTURE SUMMARY:

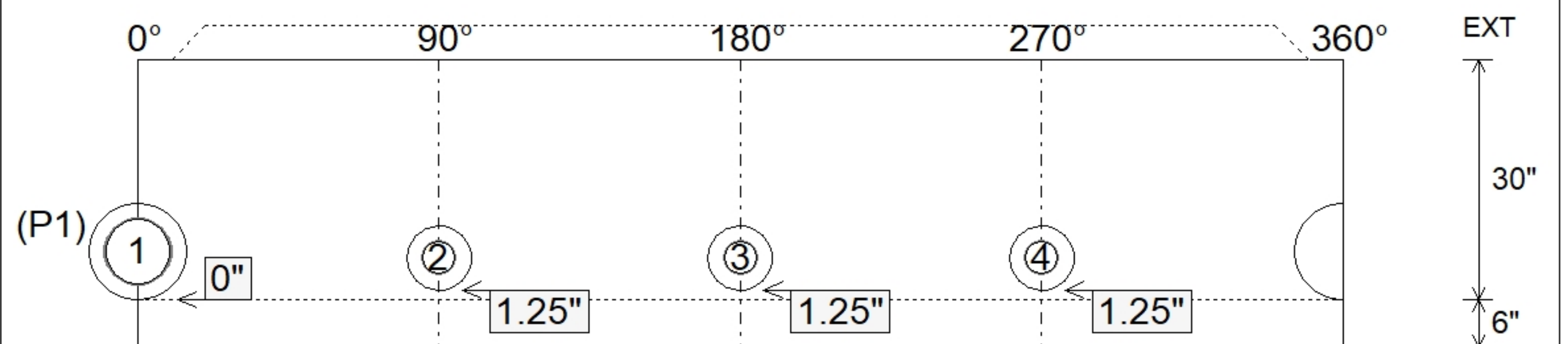
P3) 24" - CASTING HEIGHT - 7.50"	0 lb
P2) 48" - ECC XYPEX CONE w/ 24" HOLE-SPECIAL F/G - 36"	2251 lb
P1) 48" - MH BASE w/XYPEX T/n - 30"	3315 lb
1) 48" - MH INVERT CHANNEL - FULL HEIGHT	1440 lb
1) JOINT WRAP - 0.065"x6"x50' CONSEAL CS212	0 lb
1) JOINT WRAP PRIMER - CONSEAL CS-75 (1 gal.)	0 lb
1) 48" - MH INVERT CHANNEL w/ConBlock-CDA Red - FULL HEIGHT	1440 lb
1) ADMIXTURE CONBLOCK CDA RED	0 lb
1) 48" - DBL 1"x14.5' Butyl (2x)	0 lb
1) PSX - 12-08 NYLO	8 lb
3) PSX - 8QRS-S NYLO	20 lb
Structure Total:	8473 lb



Position	Elev	Angle	Pipe	Pipe OD	Hole	Connector	Up (")	Ref
Rim	508'							
Reducer								
Invert 1	502'	0°	8" PVC SDR26	8.5"	12"	PSX 12-08 NYLO	0"	P1
Invert 2	502.1'	90°	4" PVC SDR26	4.25"	8"	PSX 8QRS-S NYLO	1.25"	P1
Invert 3	502.1'	180°	4" PVC SDR26	4.25"	8"	PSX 8QRS-S NYLO	1.25"	P1
Invert 4	502.1'	270°	4" PVC SDR26	4.25"	8"	PSX 8QRS-S NYLO	1.25"	P1
Invert 5								
Invert 6								
Invert 7								
Invert 8								



Cast (Int. Dim.) - Interior Dimensions



Submittal Drawing
 2/4/2026 12:35:50 PM

SUBMITTAL
 APPROVED BY: