

Job Name: 25-2310 GOOSE CREEK SUBDIVISION	Plant: Beaver Dam	Tech: C.Russ	
Job Location: Hartsville, TN Contractor: Hayes Pipe Supply	2/4/2026 12:37:05 PM	PC: A.Chambers	

**Structure ID: SSMH 4**

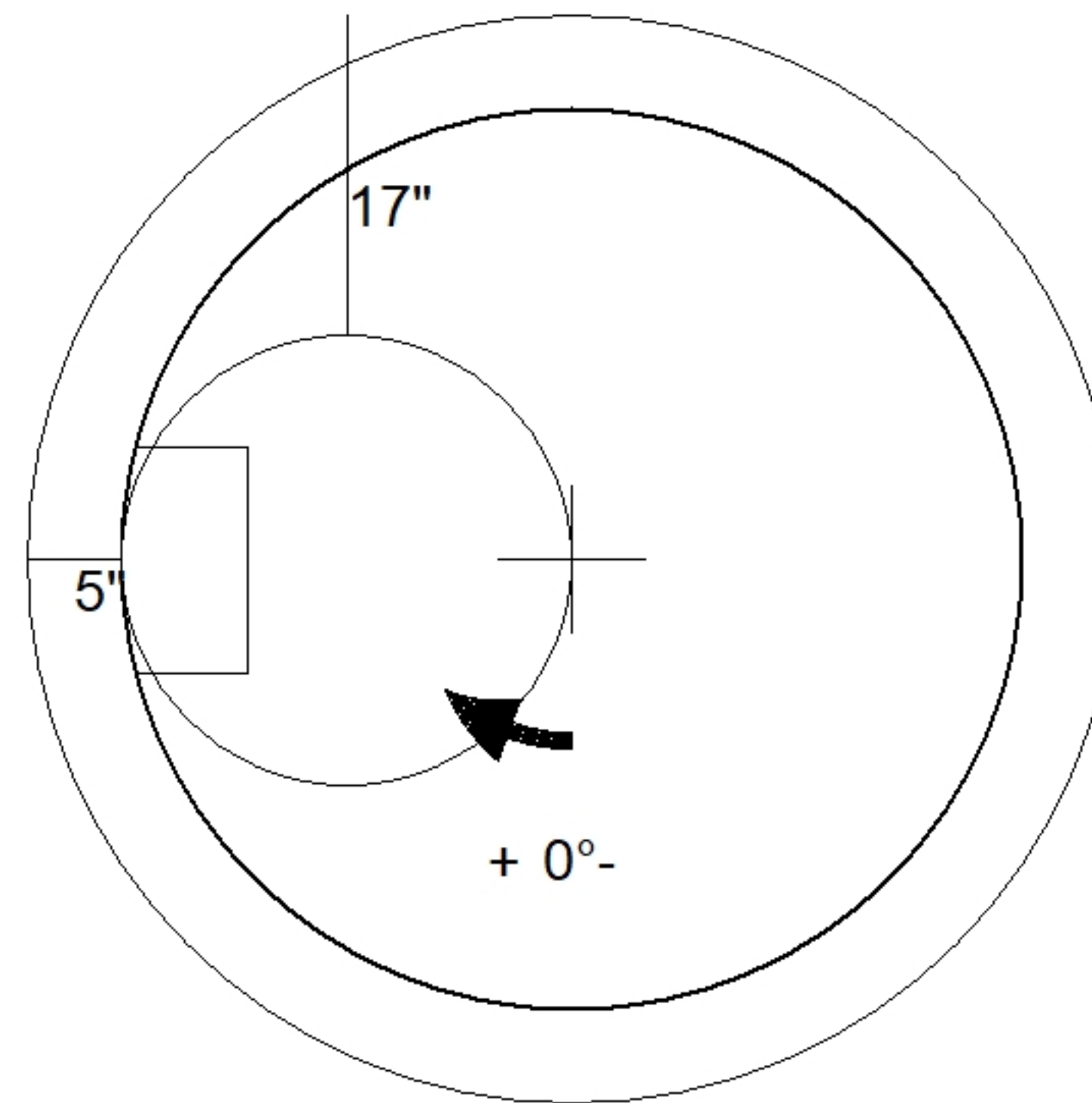
**P2 MH048CN36CDARED**

**ECC CONE w/ 24" HOLE, w/ConBlock-CDA Red F/G**

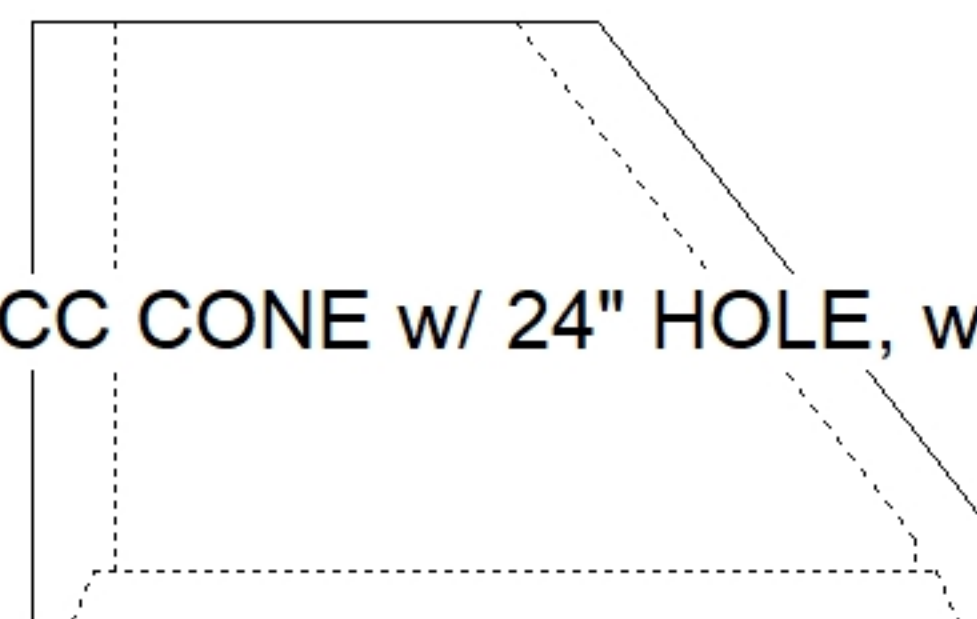
P3) 24" - CASTING HEIGHT - 7.50"	0 lb
P2) 48" - ECC CONE w/ 24" HOLE, w/ConBlock-CDA Red F/G - 36"	2251 lb
P1) 48" - MH BASE w/ConBlock-CDA Red T/n - 30"	3378 lb
1) JOINT WRAP - 0.065"x6"x50' CONSEAL CS212	0 lb
1) JOINT WRAP PRIMER - CONSEAL CS-75 (1 gal.)	0 lb
1) ADMIXTURE CONBLOCK CDA RED	0 lb
1) 48" - MH INVERT CHANNEL w/ConBlock-CDA Red - FULL HEIGHT	1440 lb
1) 48" - Conseal CS-102 1.00" (Double)	0 lb
1) PSX - 12-08 NYLO	8 lb
5) MH Step ML-10-TDS-NCR - 10"	0 lb
<b>Structure Total:</b>	<b>7077 lb</b>

Structure Notes:  
 1. PER ASTM C478 SPECIFICATIONS.  
 2. CONCRETE = 4,000 PSI AT 28 DAYS.  
 3. ADMIXTURE = CONBLOCK-CDA RED.  
 4. CASTING BY OTHERS (JBS 1150 F/C).

REINFORCING PER ASTM A615 (GRADE 60).  
 - CONE (As .12)  
 - RISER (As .12)  
 - FLOOR (As .31) #5 BARS AT 12" C.C.E.W.



48" - ECC CONE w/ 24" HOLE, w/ConBlock-CDA Red F/G - 36" - (P2)



Coating (Int):	Seam Up: Flat	Wall Thickness: 5"	Height (Ext): 36"	Weight (Net): 2251 lb
Coating (Ext):	Seam Dn: Groove			Volume (Net): 0.57cu.yd