


Job Name: 25-2310 GOOSE CREEK SUBDIVISION	Plant: Beaver Dam	Tech: C.Russ	
Job Location: Hartsville, TN Contractor: Hayes Pipe Supply	2/4/2026 12:37:03 PM	PC: A.Chambers	

Structure ID: SSMH 1

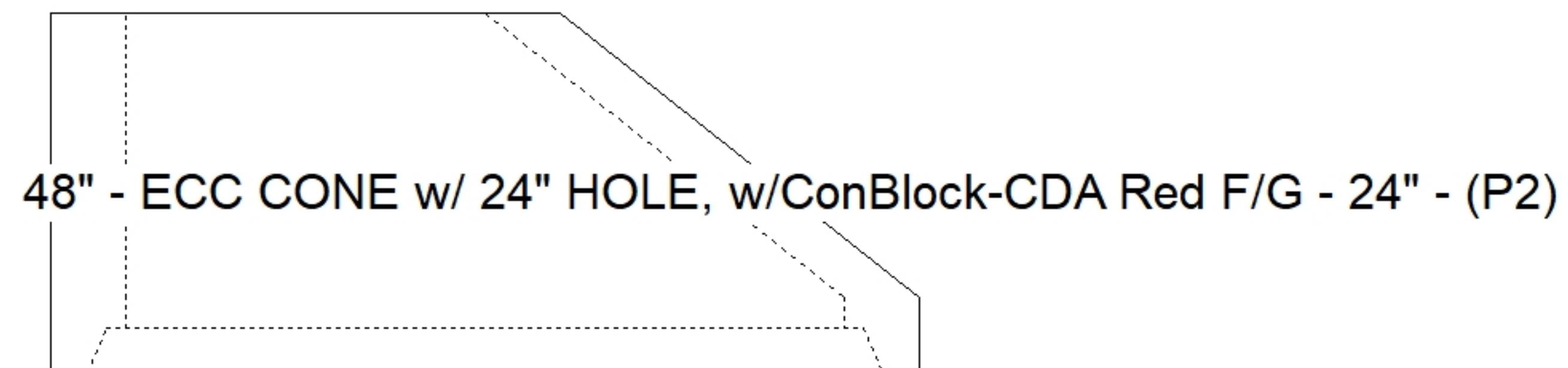
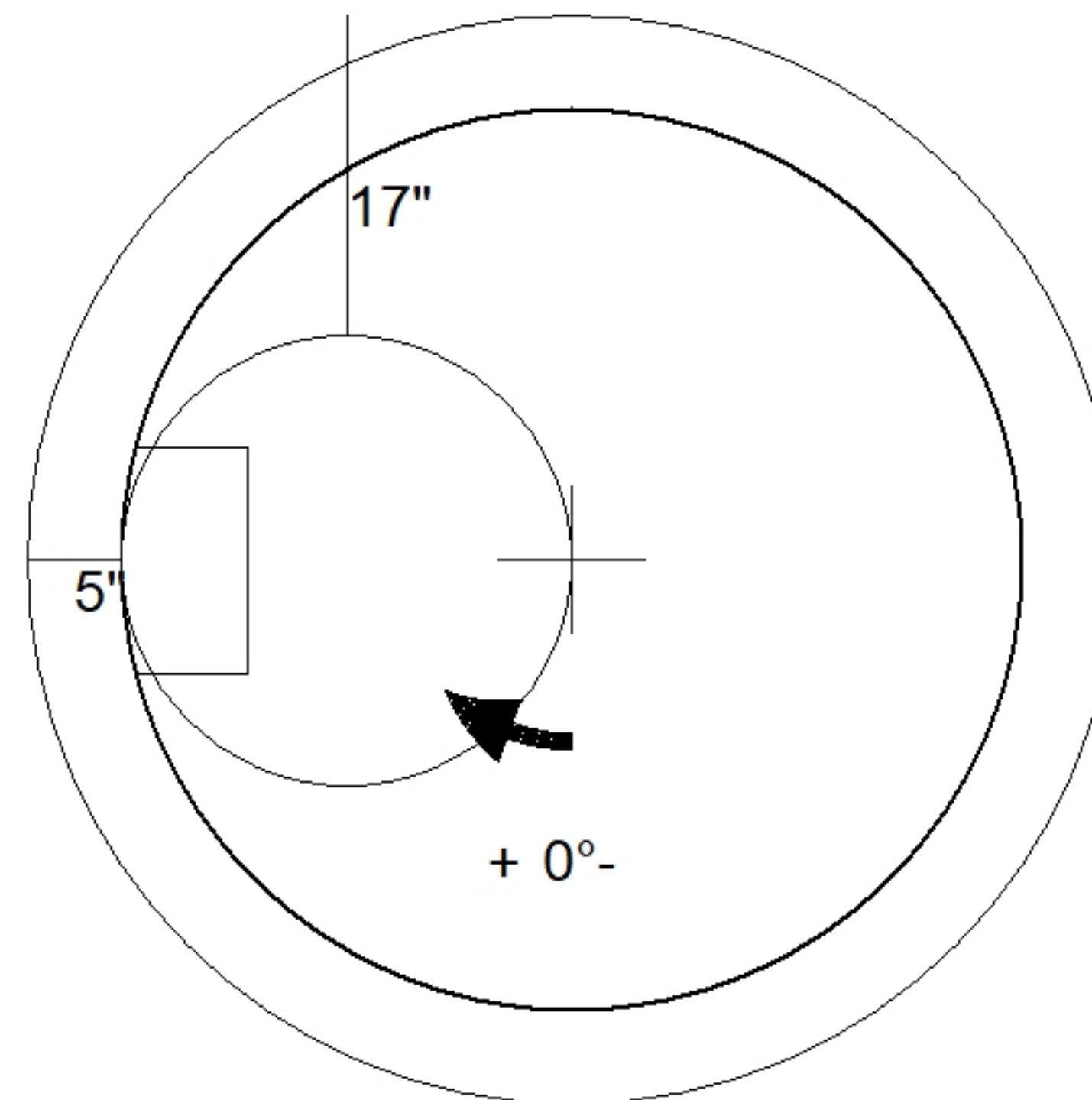
P2 MH048CN24CDARED

ECC CONE w/ 24" HOLE, w/ConBlock-CDA Red F/G

P3) 24" - CASTING HEIGHT - 7.50"	0 lb
P2) 48" - ECC CONE w/ 24" HOLE, w/ConBlock-CDA Red F/G - 24"	1738 lb
P1) 48" - MH DH RISER Custom Ht, w/ConBlock-CDA Red T/F - 48"	3160 lb
1) JOINT WRAP - 0.065"x6"x50' CONSEAL CS212	0 lb
1) JOINT WRAP PRIMER - CONSEAL CS-75 (1 gal.)	0 lb
1) ADMIXTURE CONBLOCK CDA RED	0 lb
1) 48" - Conseal CS-102 1.00" (Double)	0 lb
2) DOGHOUSE - 12"x16"	0 lb
1) PSX - 12-08 NYLO	8 lb
6) MH Step ML-10-TDS-NCR - 10"	0 lb
Structure Total:	4906 lb

Structure Notes:
 1. PER ASTM C478 SPECIFICATIONS.
 2. CONCRETE = 4,000 PSI AT 28 DAYS.
 3. ADMIXTURE = CONBLOCK-CDA RED.
 4. CASTING BY OTHERS (JBS 1150 F/C).

REINFORCING PER ASTM A615 (GRADE 60).
 - CONE (As .12)
 - RISER (As .12)



Coating (Int): Coating (Ext):	Seam Up: Flat Seam Dn: Groove	Wall Thickness: 5"	Height (Ext): 24"	Weight (Net): 1738 lb Volume (Net): 0.44cu.yd
----------------------------------	----------------------------------	--------------------	-------------------	--