

Job Name: 25-2310 GOOSE CREEK SUBDIVISION
 Job Location: Hartsville, TN
 Contractor: Hayes Pipe Supply

Plant: Beaver Dam

Tech: C.Russ

2/4/2026 12:36:19 PM

PC: A.Chambers



Structure ID: SSMH 1

P1 MH048DHVFCDA RED

MH DH RISER Custom Ht, w/ConBlock-CDA Red T/F

- P3) 24" - CASTING HEIGHT - 7.50"
- P2) 48" - ECC CONE w/ 24" HOLE, w/ConBlock-CDA Red F/G - 24"
- P1) 48" - MH DH RISER Custom Ht, w/ConBlock-CDA Red T/F - 48"
- 1) JOINT WRAP - 0.065"x6"x50' CONSEAL CS212
- 1) JOINT WRAP PRIMER - CONSEAL CS-75 (1 gal.)
- 1) ADMIXTURE CONBLOCK CDA RED
- 1) 48" - Conseal CS-102 1.00" (Double)
- 2) DOGHOUSE - 12"x16"
- 1) PSX - 12-08 NYLO
- 6) MH Step ML-10-TDS-NCR - 10"

0 lb
 1738 lb
 3160 lb
 0 lb
 0 lb
 0 lb
 0 lb
 0 lb
 0 lb
 8 lb
 0 lb

 Structure Total: 4906 lb

Structure Notes:

1. PER ASTM C478 SPECIFICATIONS.
2. CONCRETE = 4,000 PSI AT 28 DAYS.
3. ADMIXTURE = CONBLOCK-CDA RED.
4. CASTING BY OTHERS (JBS 1150 F/C).

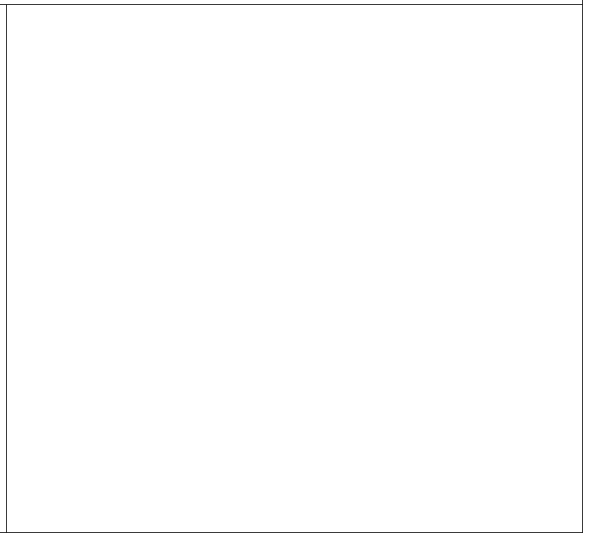
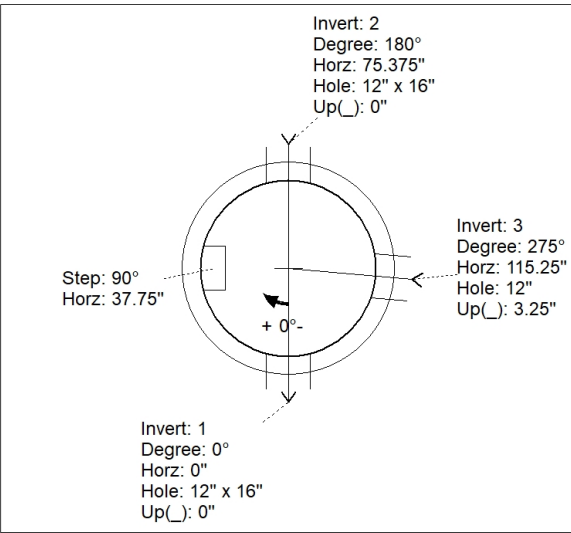
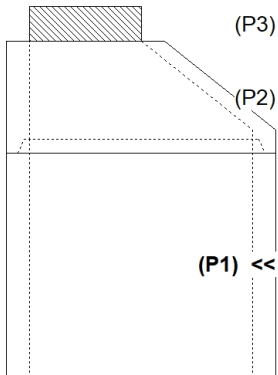
REINFORCING PER ASTM A615 (GRADE 60).
 - CONE (As .12)
 - RISER (As .12)

Rim: 470.5' Rim to Invert: 6.37' Slack: 0.94" Sump: 4" Step Position: 90°

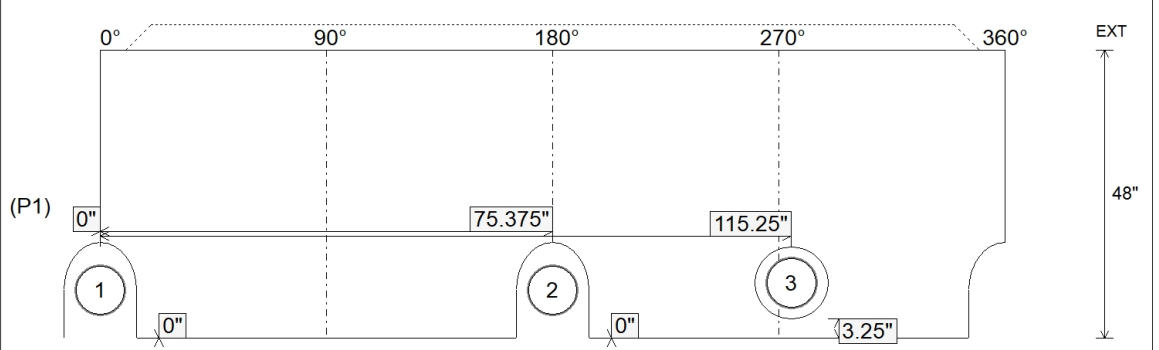
Position	Elev	Angle	Ext. (cw)	Pipe	Pipe OD	Connector	Hole	Horz Size	Up ()	Offset
Invert 1	464.13'	0°	0"	8" PVC SDR26	8.5"	DOGHOUSE 12"x16"	12" x 16"	12.129"	0"	0"
Invert 2	464.13'	180°	91.125"	8" PVC SDR26	8.5"	DOGHOUSE 12"x16"	12" x 16"	12.129"	0"	0"
Invert 3	464.23'	275°	139.25"	8" PVC SDR26	8.5"	PSX 12-08 NYLO	12"	12.129"	3.25"	0"
Invert 4										
Invert 5										
Invert 6										
Invert 7										
Invert 8										

RIGHT-SIDE UP VIEW (int. dimensions)

UPSIDE-DOWN VIEW (int. dimenions)



INSIDE WALL DIMENSIONS



Coating (Int):
 Coating (Ext):

Seam Up: Tongue
 Seam Dn: Flat

Wall Thickness: 5"
 Floor Height: 0"

Height (Int): 48"
 Height (Ext): 48"

Weight (Net): 3160 lb
 Volume (Net): 0.81cu.yd