

Structure ID: JB-2

P1 MH048BA36

MH BASE T/n

P3) 24" - CASTING HEIGHT - 6" P2) 48" - MH FLAT TOP w/ 24" ECC Hole F/G - 12" P1) 48" - MH BASE T/n - 36" 1) 48" - SGL 1"x14.5' Butyl (2x) 2) Hole - 26 3) MH Step ML-10-TDS-NCR - 10"	0 lb 1561 lb 3379 lb 0 lb 0 lb 0 lb 0 lb ----- Structure Total: 4940 lb
---	---

Structure Notes:

1. PER ASTM C478 SPECIFICATIONS.
2. CONCRETE = 4,000 PSI AT 28 DAYS.
3. CASTING BY OTHERS.

REINFORCING PER ASTM A615 (GRADE 60).

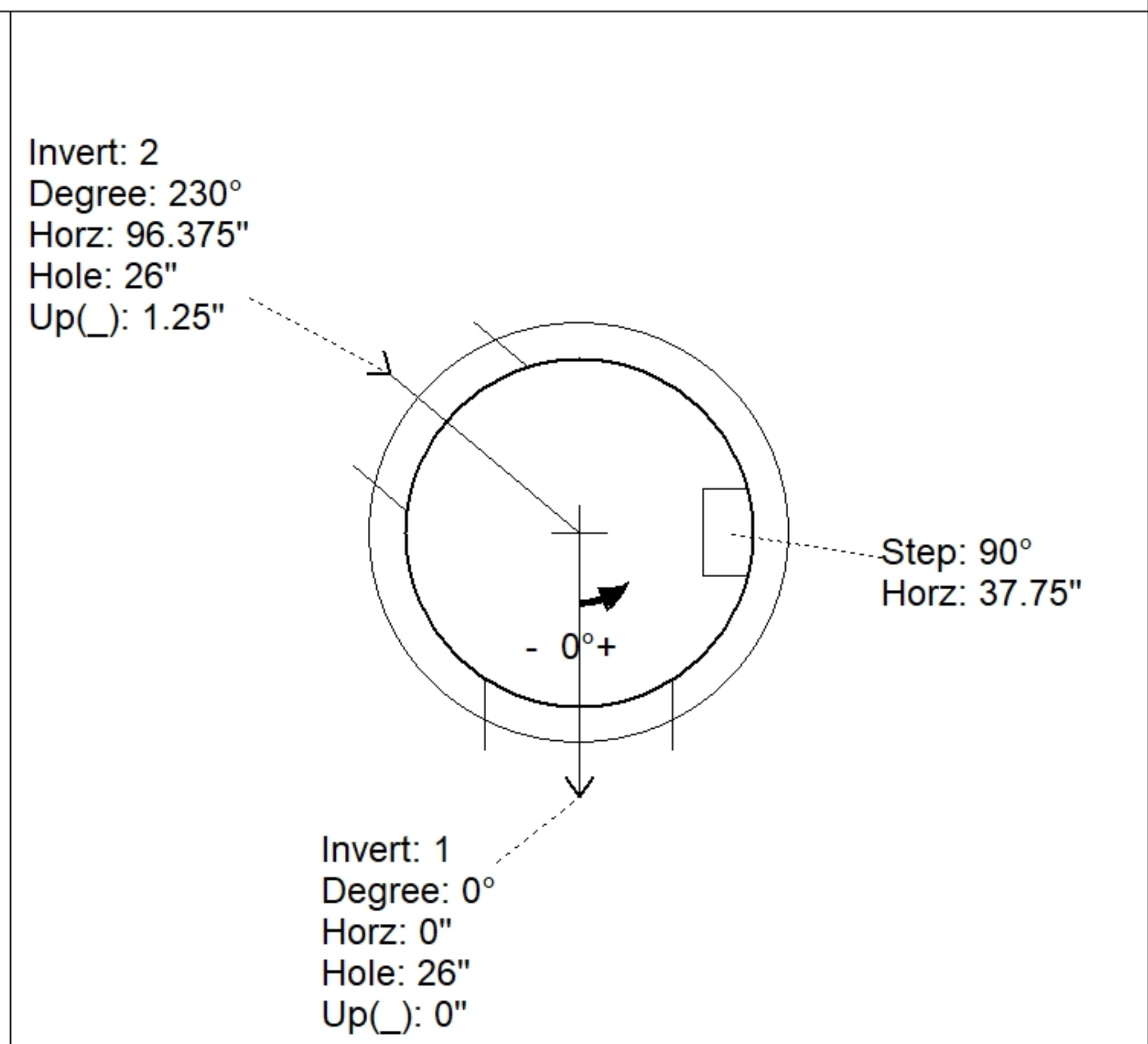
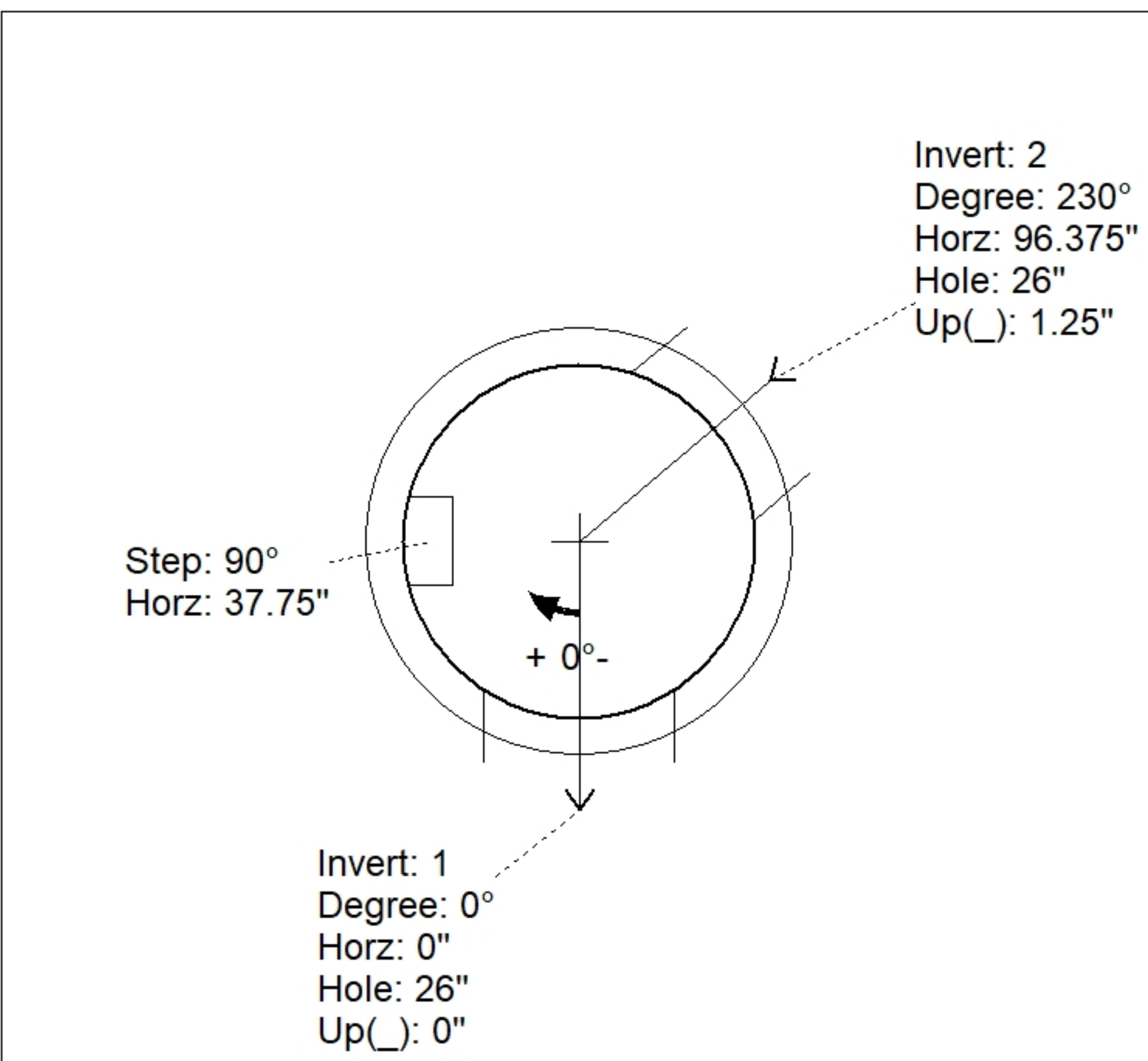
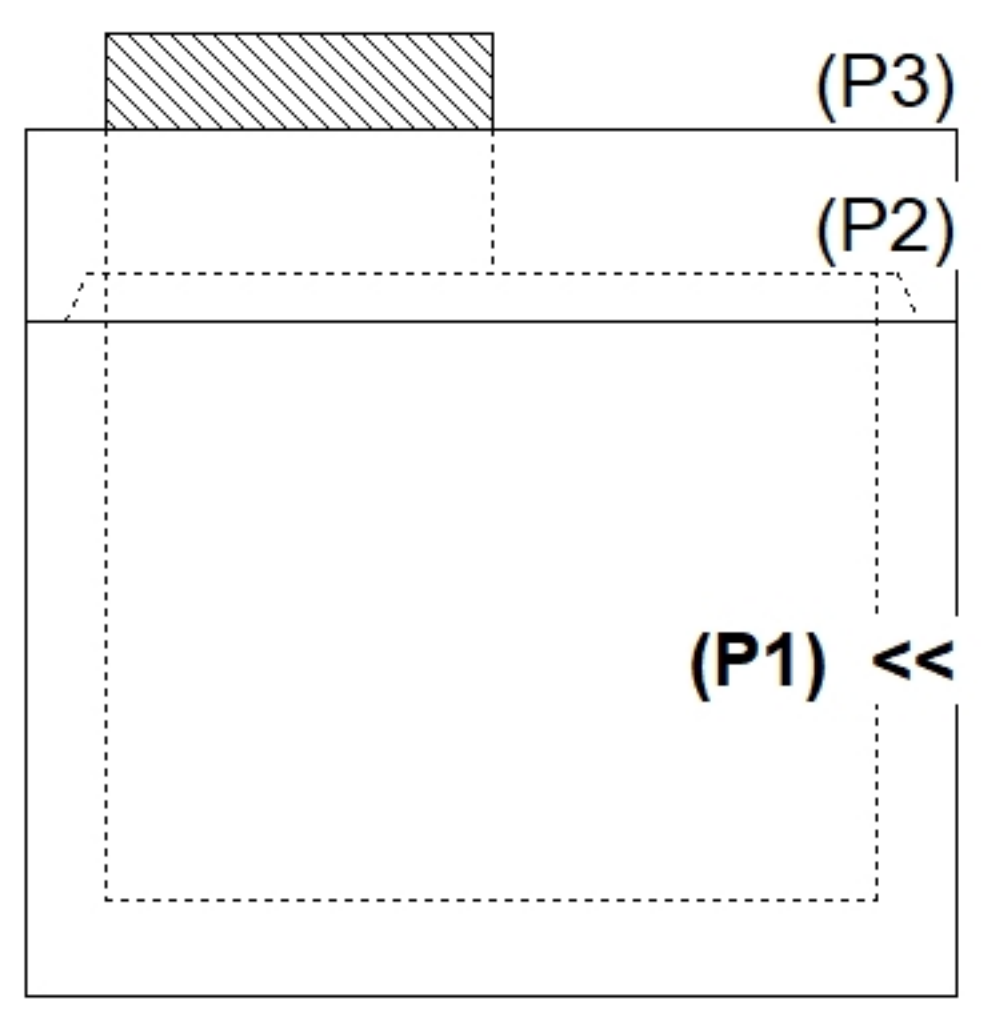
- TOP SLAB (As .62) #5 BARS AT 6" C.C.E.W..
- RISER/WALLS (As .12)
- FLOOR (As .31) #5 BARS AT 12" C.C.E.W.

Rim: 510' Rim to Invert: 4.36' Slack: 0.82" Sump: 2.5" Step Position: 90°

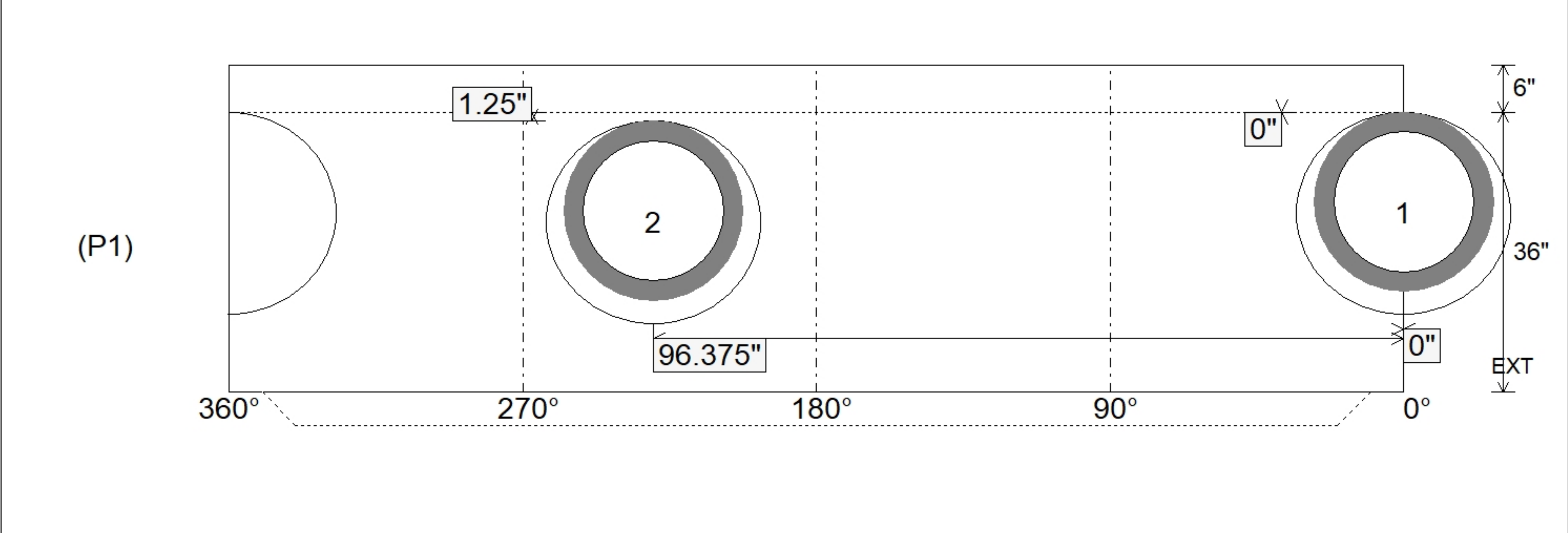
Position	Elev	Angle	Ext. (cw)	Pipe	Pipe OD	Connector	Hole	Horz Size	Up ()	Offset
Invert 1	505.64'	0°	0"	18" RCP B WALL	23"	Hole 26	26"	27.476"	0"	0"
Invert 2	505.74'	230°	116.375"	18" RCP B WALL	23"	Hole 26	26"	27.476"	1.25"	0"
Invert 3										
Invert 4										
Invert 5										
Invert 6										
Invert 7										
Invert 8										

RIGHT-SIDE UP VIEW (int. dimensions)

UPSIDE-DOWN VIEW (int. dimensions)



INSIDE WALL DIMENSIONS



Coating (Int): Coating (Ext):	Seam Up: Tongue Seam Dn: n/a	Wall Thickness: 5" Floor Height: 6"	Height (Int): 36" Height (Ext): 42"	Weight (Net): 3379 lb Volume (Net): 0.86cu.yd
----------------------------------	---------------------------------	--	--	--