

**Job Name: 25-2310 GOOSE CREEK SUBDIVISION**  
**Job Location: Hartsville, TN**  
**Contractor: Hayes Pipe Supply**

PC: A.Chambers  
 TECH: C.Russ  
 Plant: Beaver Dam



Structure ID: **JB-1**

Spec: Storm  
 Type: STM.MH (Recessed pipe)  
 Size: 48"

Rim: 505.25'  
 Invert: 499.28'  
 Rim to Invert: 5.97'

Sump: 2.5"  
 Floor (Top): 499.072'  
 Floor Height: 6"

Floor (Bot): 498.572'  
 Overall Height: 6.5'  
 Slack: 2.14"

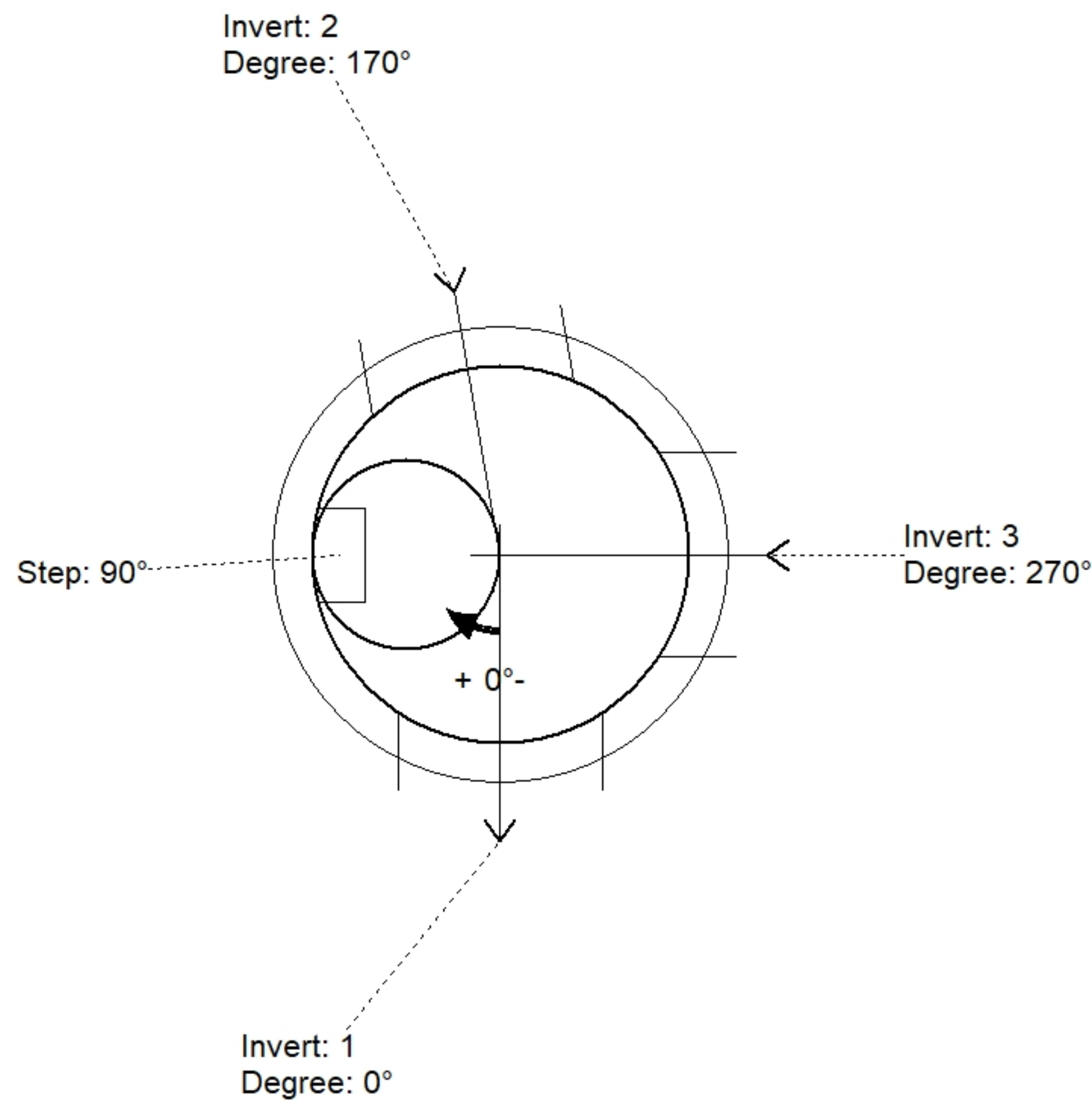
**Structure Notes:**

1. PER ASTM C478 SPECIFICATIONS.
2. CONCRETE = 4,000 PSI AT 28 DAYS.
3. NO INVERT CHANNEL.
4. CASTING BY OTHERS

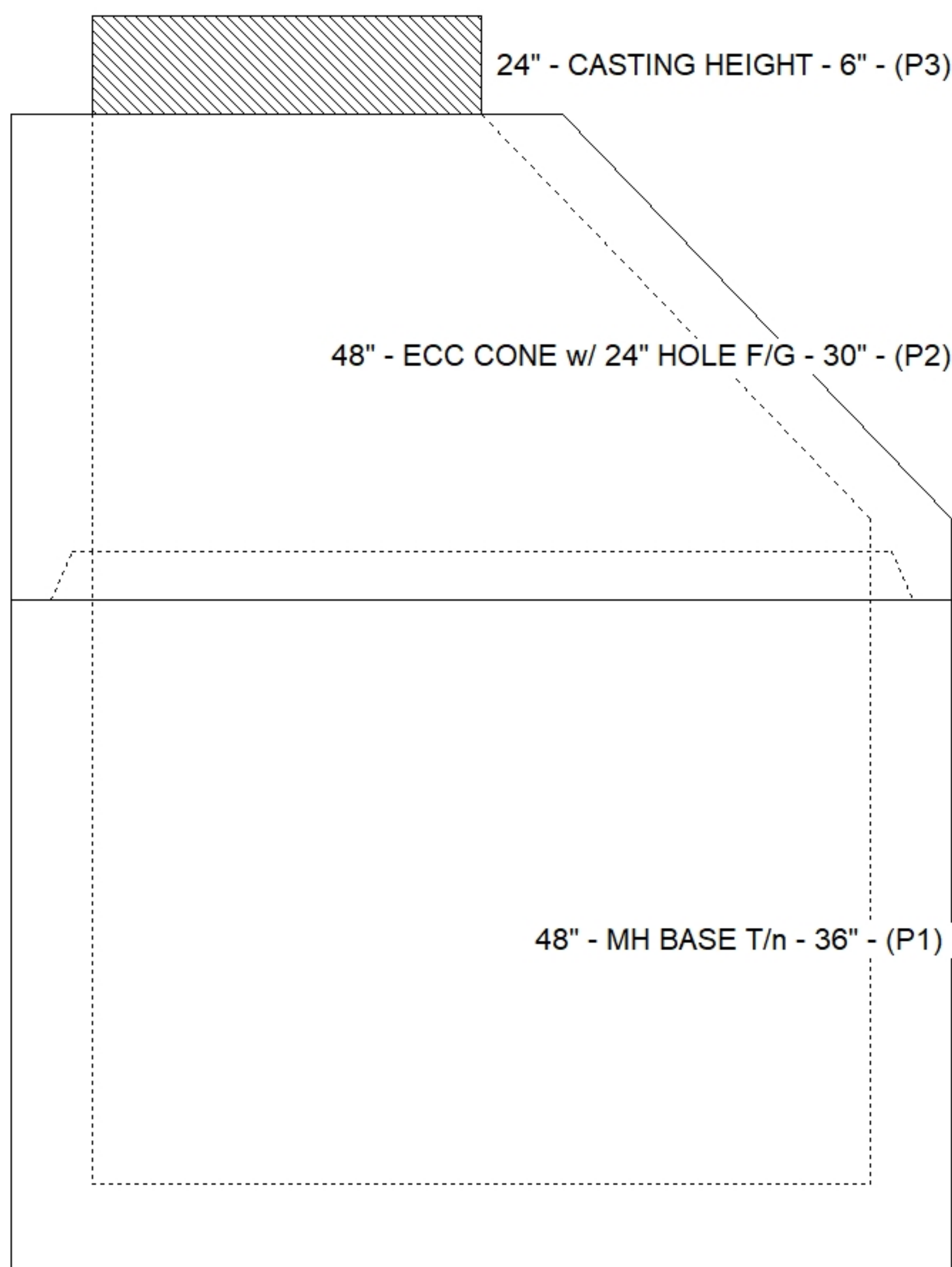
REINFORCING PER ASTM A615 (GRADE 60).  
 - CONE (As .12).  
 - RISER/WALLS (As .12)  
 - FLOOR (As .31) #5 BARS AT 12" C.C.E.W.

**STRUCTURE SUMMARY:**

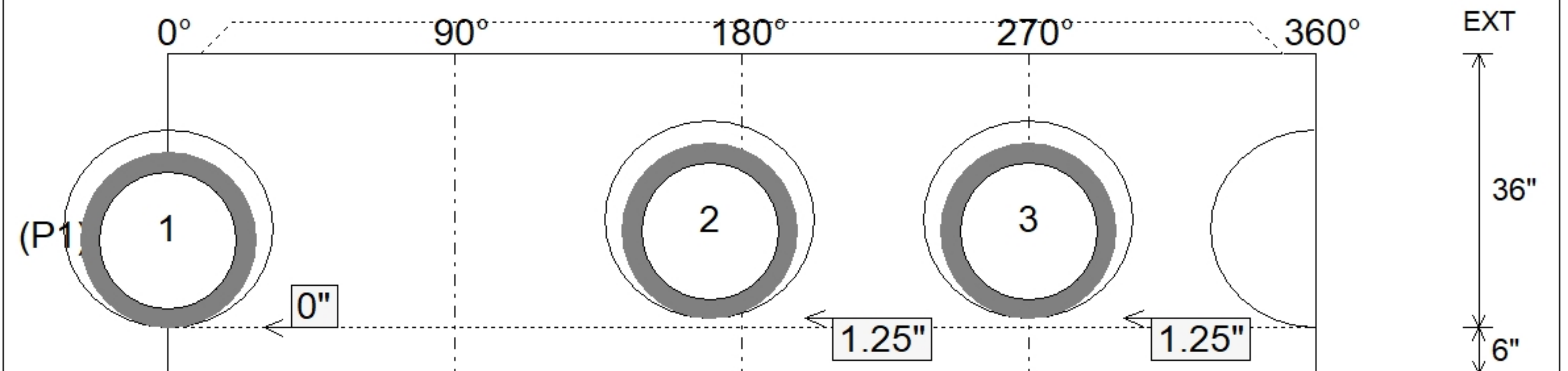
P3) 24" - CASTING HEIGHT - 6"	0 lb
P2) 48" - ECC CONE w/ 24" HOLE F/G - 30"	2050 lb
P1) 48" - MH BASE T/n - 36"	3146 lb
1) 48" - SGL 1"x14.5' Butyl (2x)	0 lb
3) Hole - 26	0 lb
6) MH Step ML-10-TDS-NCR - 10"	0 lb
<b>Structure Total:</b>	<b>5196 lb</b>



Position	Elev	Angle	Pipe	Pipe OD	Hole	Connector	Up (")	Ref
Rim	505.25'							
Reducer								
Invert 1	499.28'	0°	18" RCP B WALL	23"	26"	Hole 26	0"	P1
Invert 2	499.38'	170°	18" RCP B WALL	23"	26"	Hole 26	1.25"	P1
Invert 3	499.38'	270°	18" RCP B WALL	23"	26"	Hole 26	1.25"	P1
Invert 4								
Invert 5								
Invert 6								
Invert 7								
Invert 8								



**Cast (Int. Dim.) - Interior Dimensions**



Submittal Drawing  
 2/4/2026 12:35:48 PM

SUBMITTAL  
 APPROVED BY: