


Job Name: 25-2310 GOOSE CREEK SUBDIVISION	Plant: Beaver Dam	Tech: C.Russ	
Job Location: Hartsville, TN Contractor: Hayes Pipe Supply	2/4/2026 12:37:03 PM	PC: A.Chambers	

Structure ID: JB-1

P2 MH048CN30

ECC CONE w/ 24" HOLE F/G

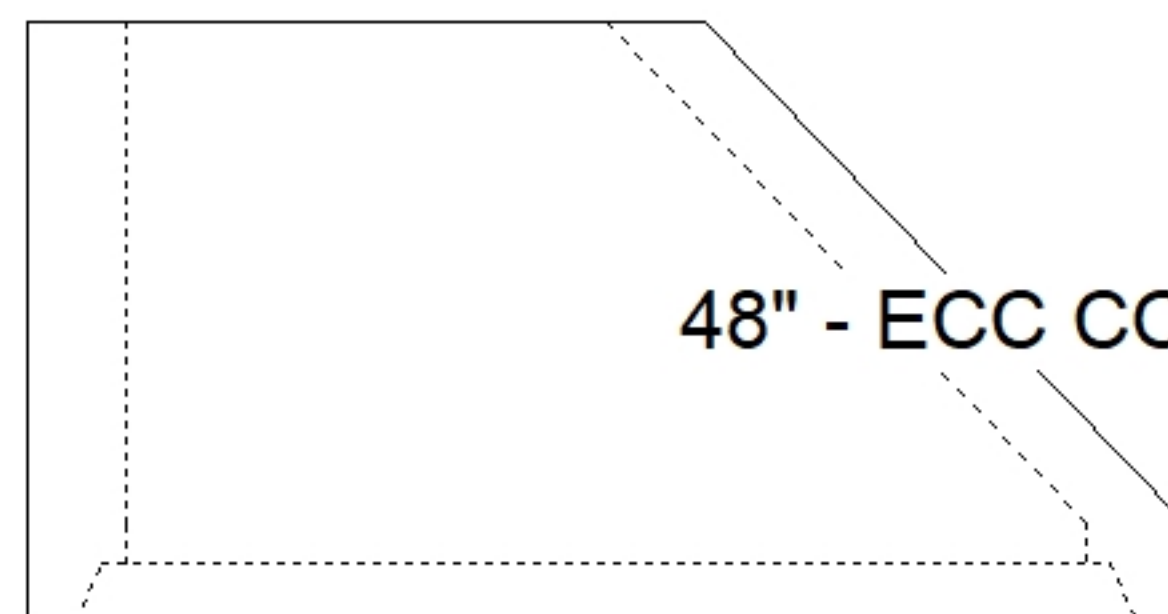
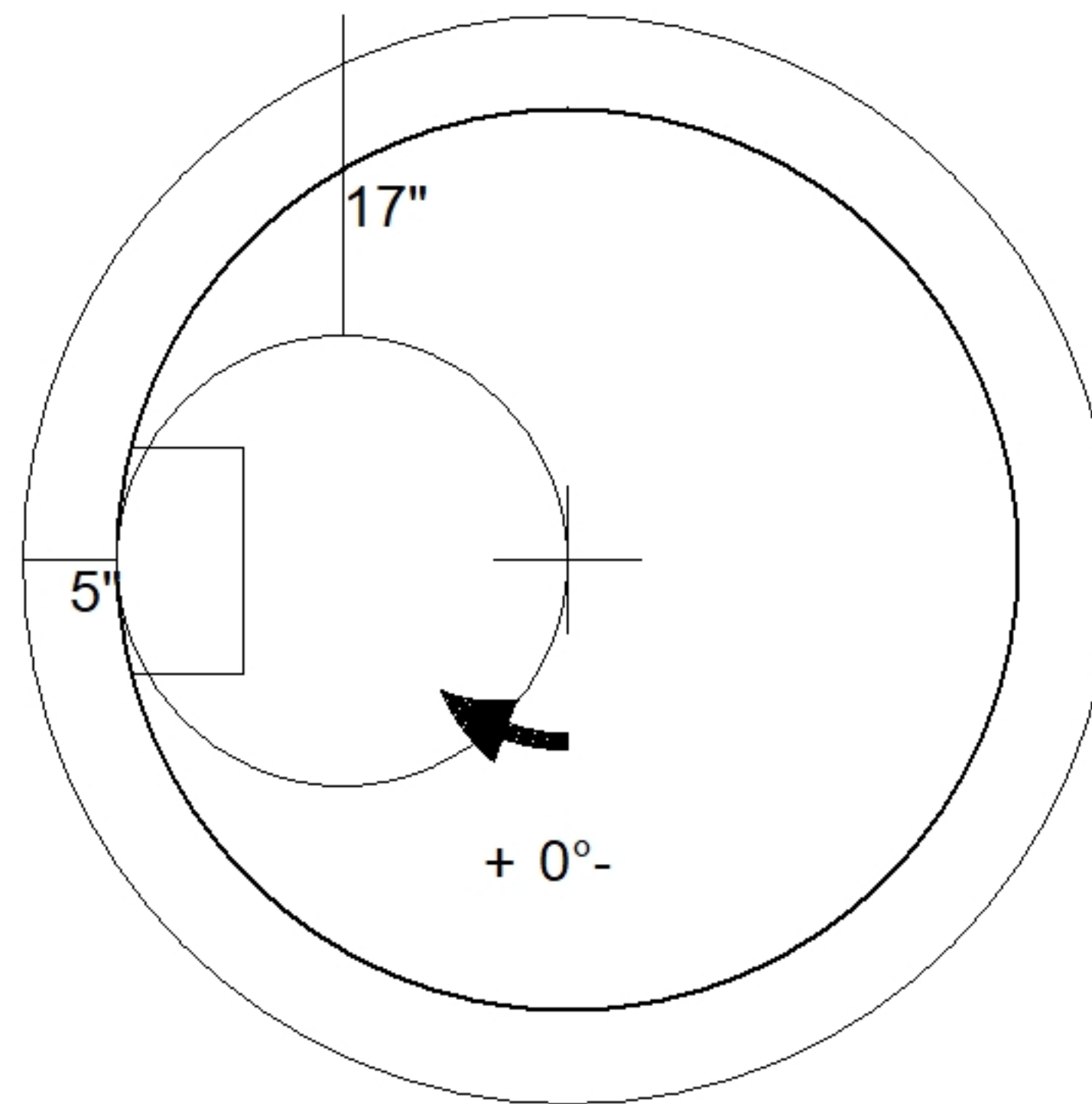
- P3) 24" - CASTING HEIGHT - 6"
- P2) 48" - ECC CONE w/ 24" HOLE F/G - 30"
- P1) 48" - MH BASE T/n - 36"
- 1) 48" - SGL 1"x14.5' Butyl (2x)
- 3) Hole - 26
- 6) MH Step ML-10-TDS-NCR - 10"

0 lb
2050 lb
3146 lb
0 lb
0 lb
0 lb

Structure Total: 5196 lb

Structure Notes:
 1. PER ASTM C478 SPECIFICATIONS.
 2. CONCRETE = 4,000 PSI AT 28 DAYS.
 3. NO INVERT CHANNEL.
 4. CASTING BY OTHERS

REINFORCING PER ASTM A615 (GRADE 60).
 - CONE (As .12).
 - RISER/WALLS (As .12)
 - FLOOR (As .31) #5 BARS AT 12" C.C.E.W.



48" - ECC CONE w/ 24" HOLE F/G - 30" - (P2)

Coating (Int): Coating (Ext):	Seam Up: Flat Seam Dn: Groove	Wall Thickness: 5"	Height (Ext): 30"	Weight (Net): 2050 lb Volume (Net): 0.41cu.yd
----------------------------------	----------------------------------	--------------------	-------------------	--