

Structure ID: CB-9

P1 BX28280606VH

BOX BASE 6inW, 6inF, Variable Ht F/n

P2) 28" x 28" - CASTING HEIGHT - 6" P1) 28" x 28" - BOX BASE 6inW, 6inF, Variable Ht F/n - 38" 1) 28" x 28" - Conseal CS-102 1.00" 1) Hole - 26	0 lb 3140 lb 0 lb 0 lb <hr style="width: 50px; margin: 0;"/> Structure Total: 3140 lb
--	---

Structure Notes:

1. PER ASTM C913 SPECIFICATIONS.
2. CONCRETE = 4,000 PSI AT 28 DAYS.
3. NO STEPS & NO INVERT CHANNEL.
4. CASTING BY OTHERS

REINFORCING PER ASTM A615 (GRADE 60).

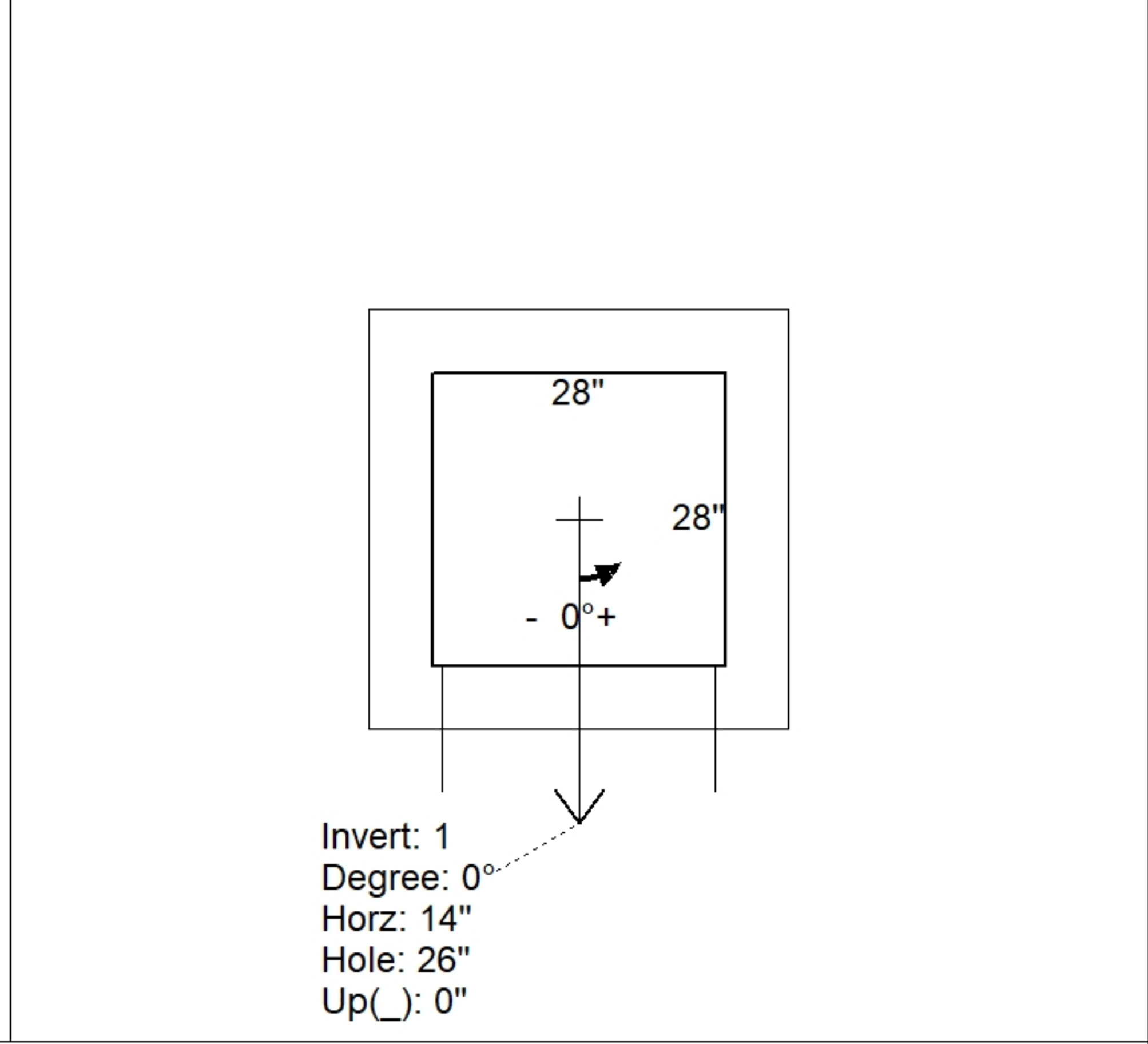
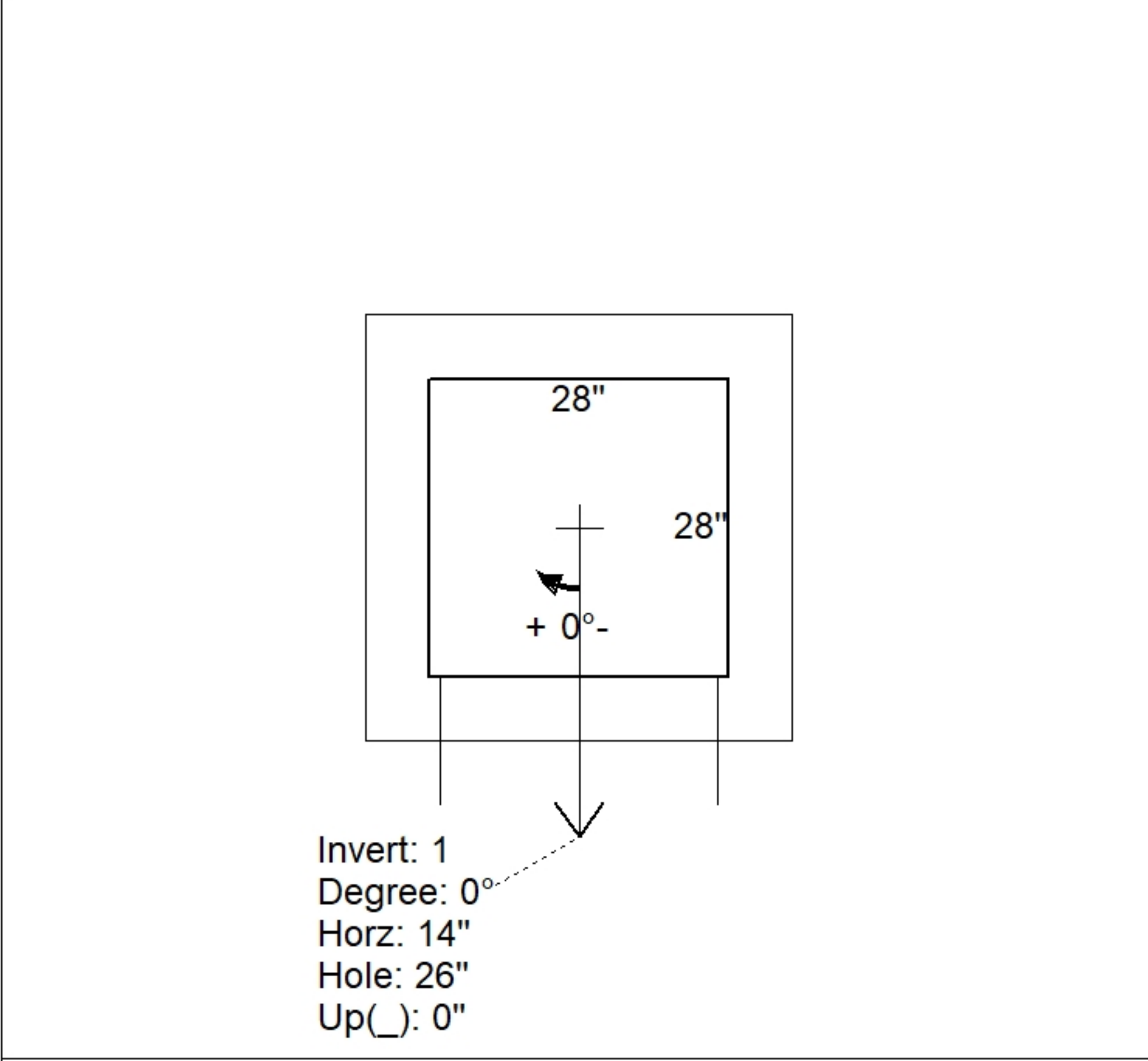
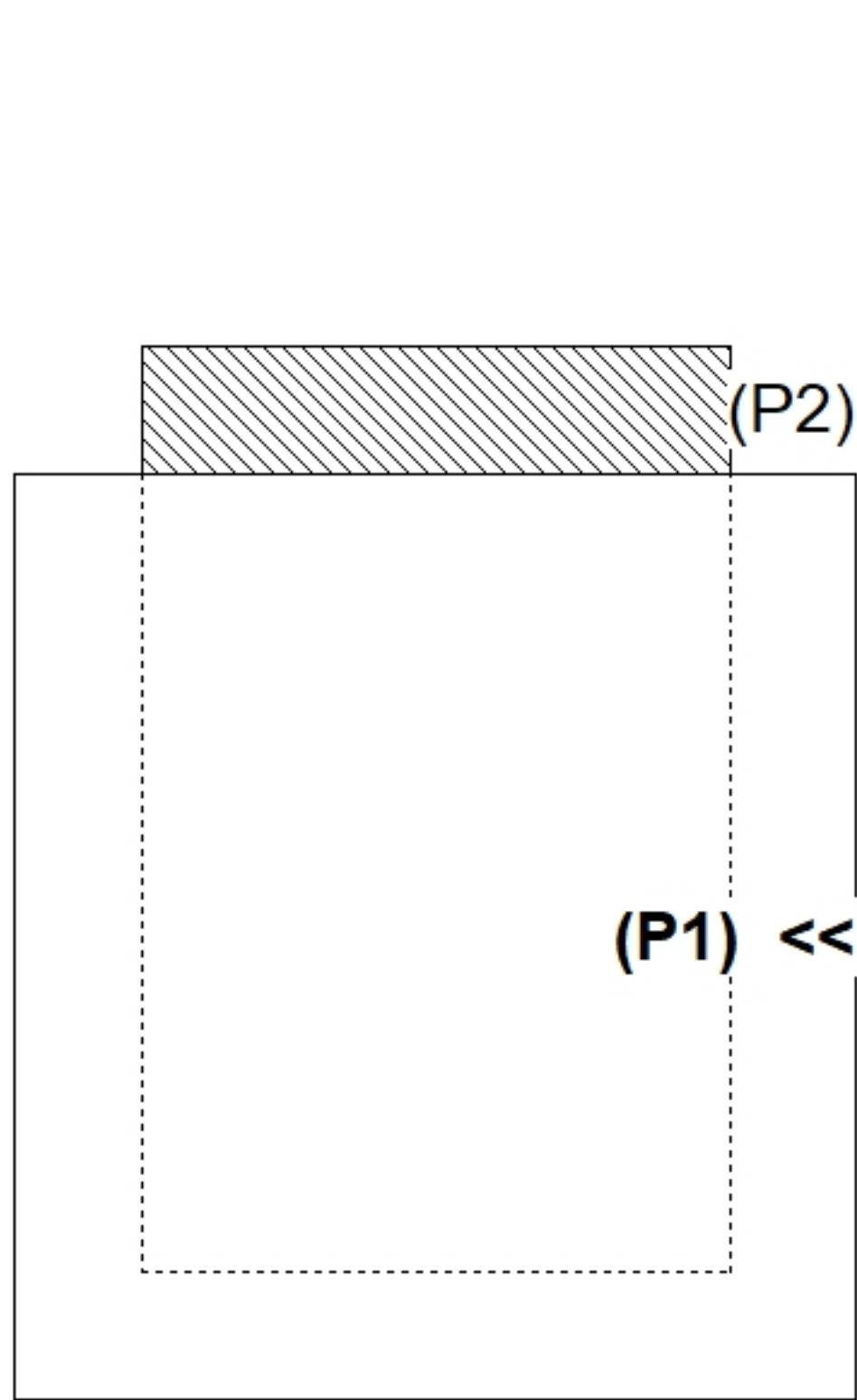
- WALLS (As .31) #5 BARS AT 12" C.C.E.W.
- FLOOR (As .31) #5 BARS AT 12" C.C.E.W.

Rim: 509.5' Rim to Invert: 3.5' Slack: 0.5" Sump: 2.5" Step Position: 90°

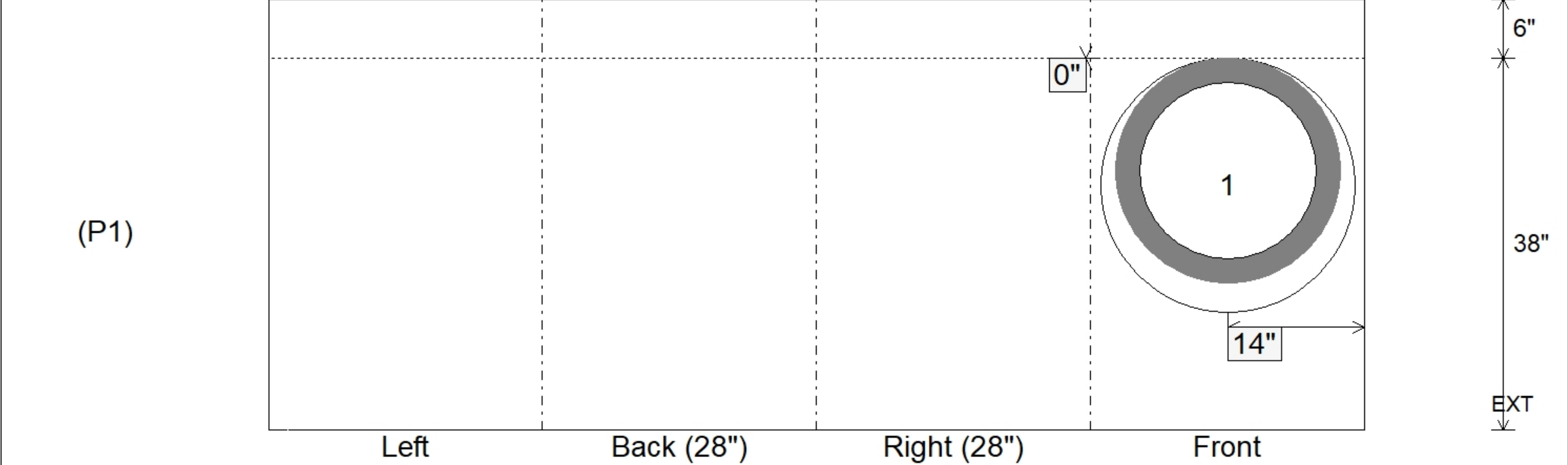
Position	Elev	Angle	Ext. (cw)	Pipe	Pipe OD	Connector	Hole	Horz Size	Up (⌋)	Offset
Invert 1	506'	0°	20"	18" RCP B WALL	23"	Hole 26	26"	26"	0"	0"
Invert 2										
Invert 3										
Invert 4										
Invert 5										
Invert 6										
Invert 7										
Invert 8										

RIGHT-SIDE UP VIEW (int. dimensions)

UPSIDE-DOWN VIEW (int. dimensions)



INSIDE WALL DIMENSIONS



Coating (Int): Coating (Ext):	Seam Up: Flat Seam Dn: n/a	Wall Thickness: 6" Floor Height: 6"	Height (Int): 38" Height (Ext): 44"	Weight (Net): 3140 lb Volume (Net): 0.8cu.yd
----------------------------------	-------------------------------	--	--	---