

Structure ID: CB-8

P1 BX2828-06BA42

BOX BASE 6inW, 6inF F/n

- P2) 28" x 28" - CASTING HEIGHT - 6"
- P1) 28" x 28" - BOX BASE 6inW, 6inF F/n - 42"
- 1) 28" x 28" - Conseal CS-102 1.00"
- 2) Hole - 26

	0 lb
	3147 lb
	0 lb
	0 lb
Structure Total:	3147 lb

Structure Notes:

1. PER ASTM C913 SPECIFICATIONS.
2. CONCRETE = 4,000 PSI AT 28 DAYS.
3. NO STEPS & NO INVERT CHANNEL.
4. CASTING BY OTHERS

REINFORCING PER ASTM A615 (GRADE 60).

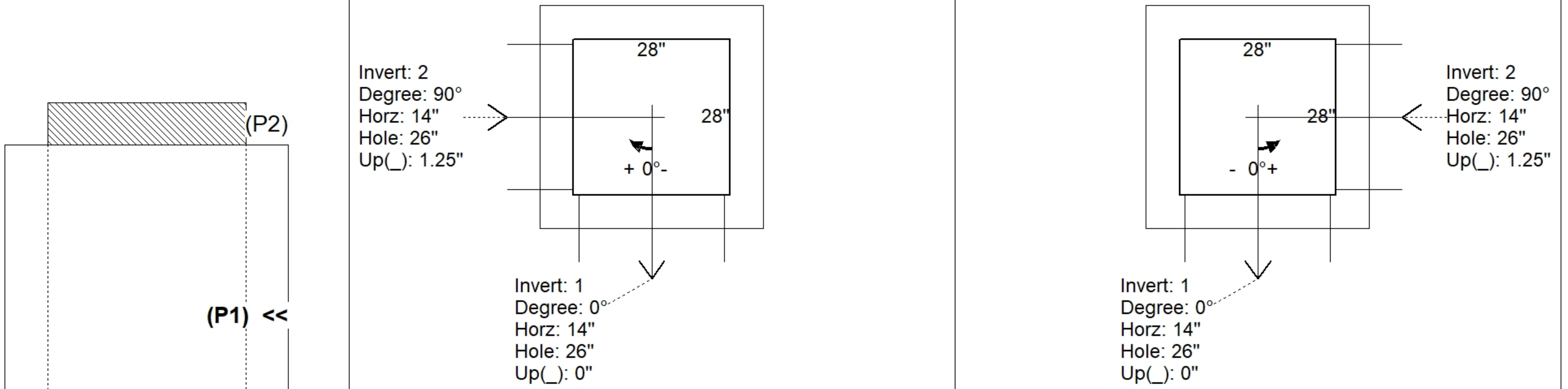
- WALLS (As .31) #5 BARS AT 12" C.C.E.W.
- FLOOR (As .31) #5 BARS AT 12" C.C.E.W.

Rim: 509.91' Rim to Invert: 3.82' Slack: 0.34" Sump: 2.5" Step Position: 270°

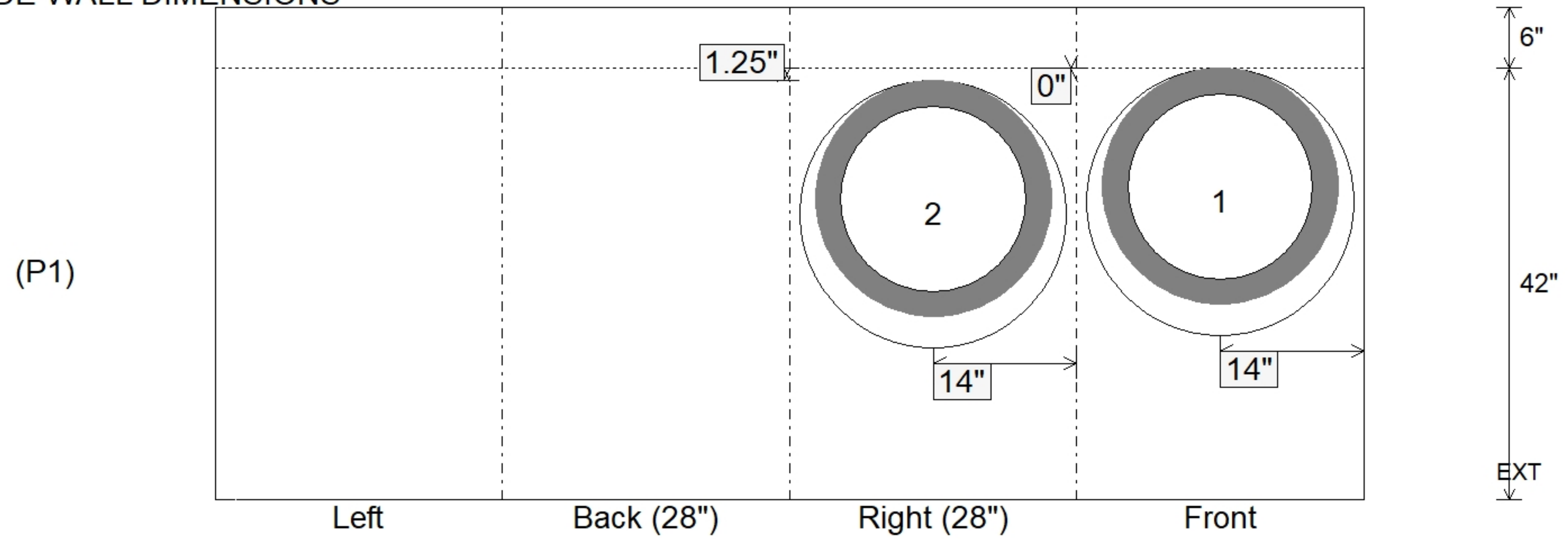
Position	Elev	Angle	Ext. (cw)	Pipe	Pipe OD	Connector	Hole	Horz Size	Up ()	Offset
Invert 1	506.09'	0°	20"	18" RCP B WALL	23"	Hole 26	26"	26"	0"	0"
Invert 2	506.19'	90°	20"	18" RCP B WALL	23"	Hole 26	26"	26"	1.25"	0"
Invert 3										
Invert 4										
Invert 5										
Invert 6										
Invert 7										
Invert 8										

RIGHT-SIDE UP VIEW (int. dimensions)

UPSIDE-DOWN VIEW (int. dimensions)



INSIDE WALL DIMENSIONS



Coating (Int):	Seam Up: Flat	Wall Thickness: 6"	Height (Int): 42"	Weight (Net): 3147 lb Volume (Net): 0.8cu.yd
Coating (Ext):	Seam Dn: n/a	Floor Height: 6"	Height (Ext): 48"	