

Job Name: 25-2310 GOOSE CREEK SUBDIVISION	Plant: Beaver Dam	Tech: C.Russ	
Job Location: Hartsville, TN Contractor: Hayes Pipe Supply	2/4/2026 12:36:17 PM	PC: A.Chambers	

**Structure ID: CB-7**

**P1 BX28280606VH**

**BOX BASE 6inW, 6inF, Variable Ht F/n**

P2) 28" x 28" - CASTING HEIGHT - 6"	0 lb
P1) 28" x 28" - BOX BASE 6inW, 6inF, Variable Ht F/n - 38"	3140 lb
1) 28" x 28" - Conseal CS-102 1.00"	0 lb
1) Hole - 26	0 lb
<b>Structure Total:</b>	<b>3140 lb</b>

**Structure Notes:**  
 1. PER ASTM C913 SPECIFICATIONS.  
 2. CONCRETE = 4,000 PSI AT 28 DAYS.  
 3. NO STEPS & NO INVERT CHANNEL.  
 4. CASTING BY OTHERS

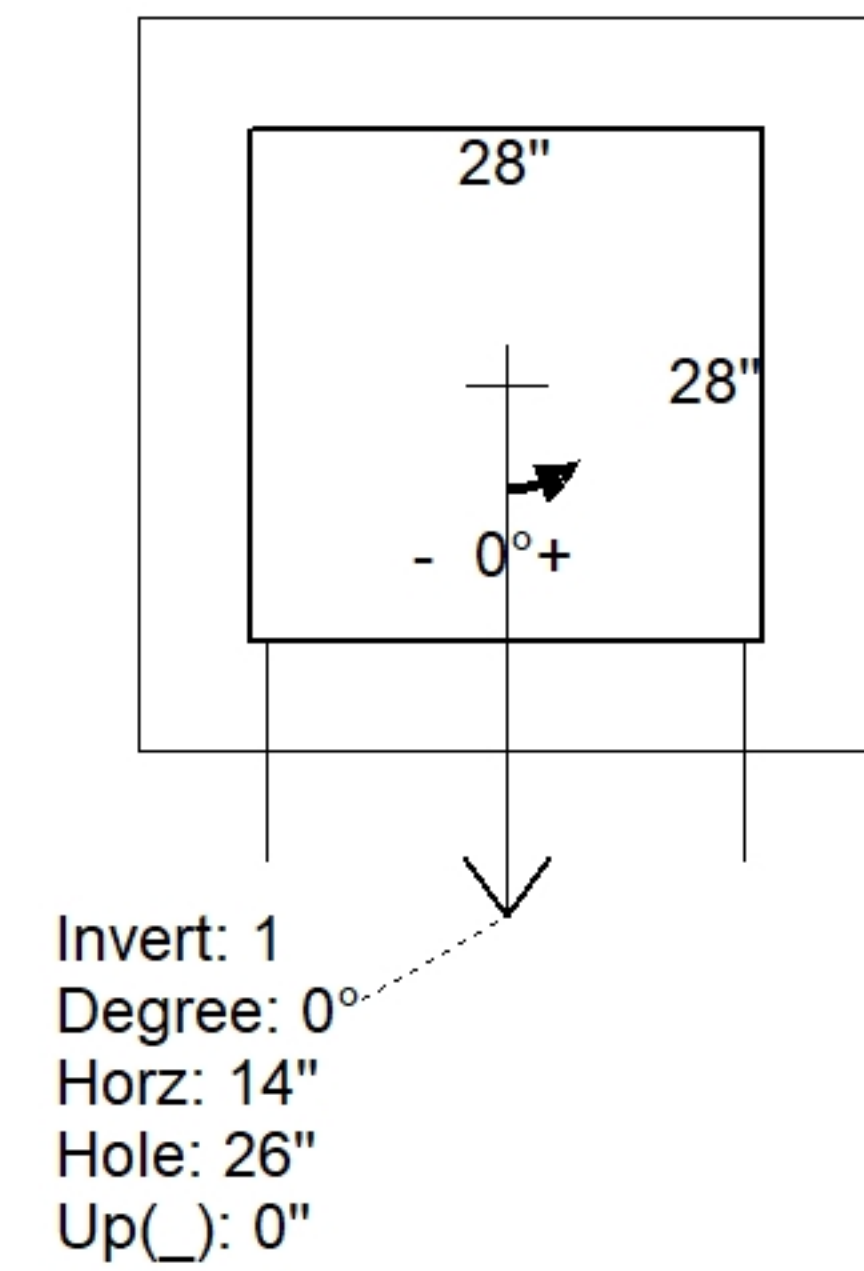
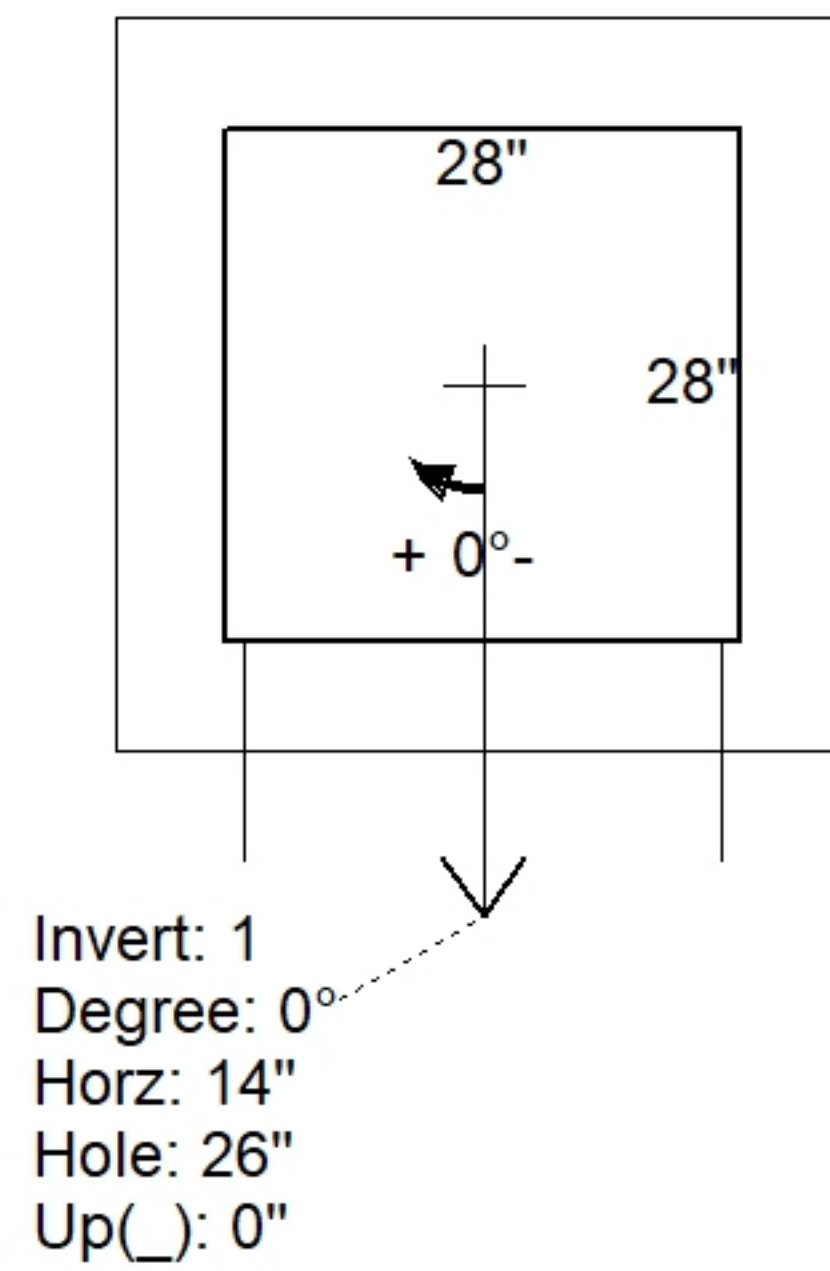
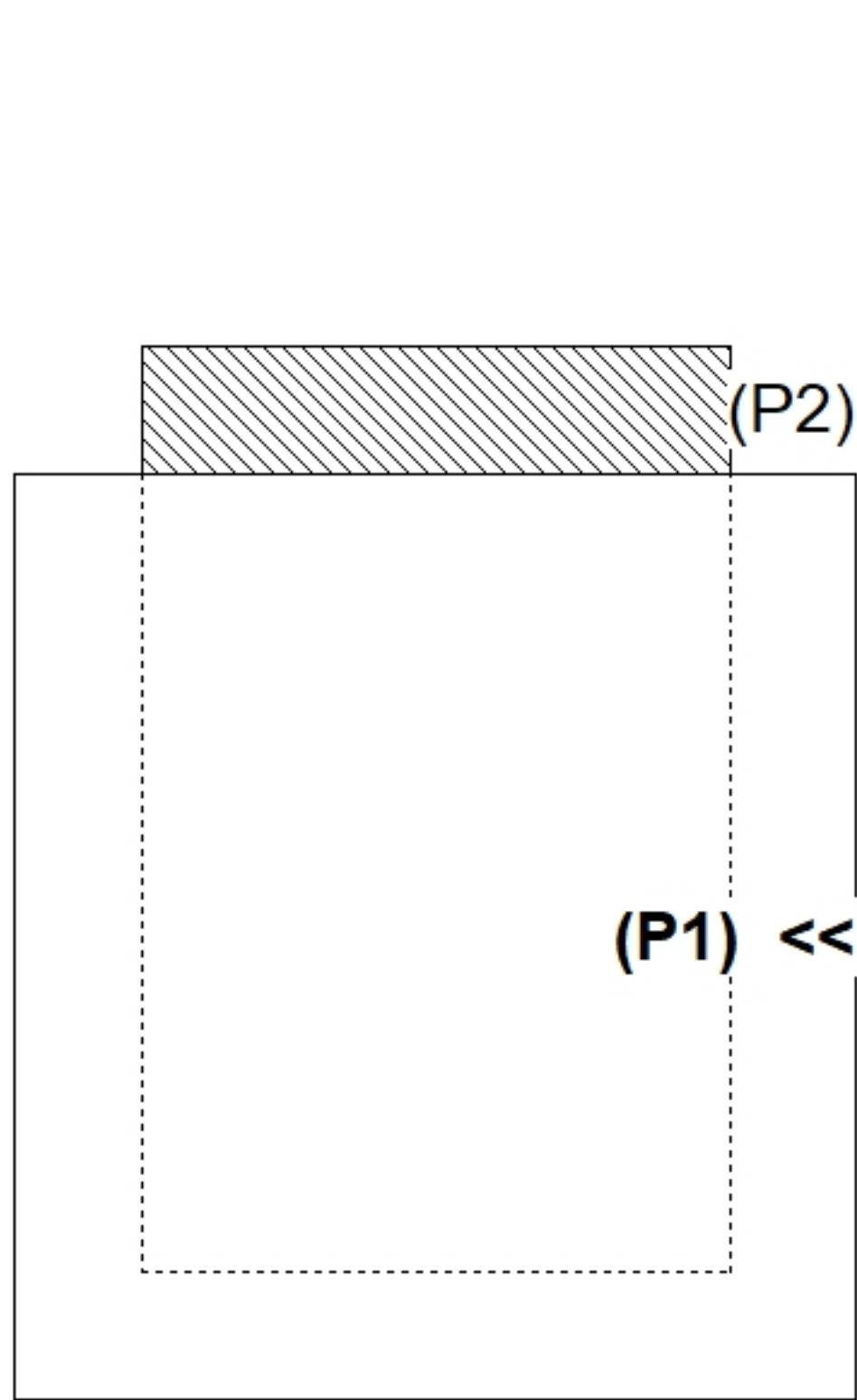
REINFORCING PER ASTM A615 (GRADE 60).  
 - WALLS (As .31) #5 BARS AT 12" C.C.E.W.  
 - FLOOR (As .31) #5 BARS AT 12" C.C.E.W.

Rim: 509.91' Rim to Invert: 3.5' Slack: 0.5" Sump: 2.5" Step Position: 90°

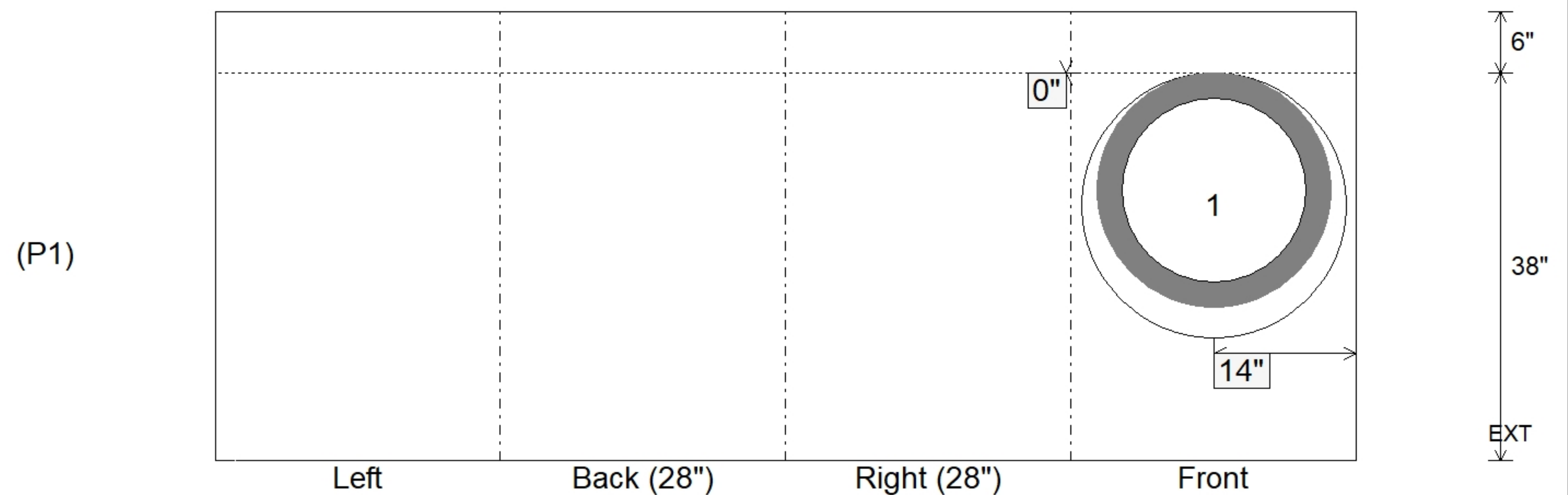
Position	Elev	Angle	Ext. (cw)	Pipe	Pipe OD	Connector	Hole	Horz Size	Up ( )	Offset
Invert 1	506.41'	0°	20"	18" RCP B WALL	23"	Hole 26	26"	26"	0"	0"
Invert 2										
Invert 3										
Invert 4										
Invert 5										
Invert 6										
Invert 7										
Invert 8										

RIGHT-SIDE UP VIEW (int. dimensions)

UPSIDE-DOWN VIEW (int. dimensions)



INSIDE WALL DIMENSIONS



Coating (Int):	Seam Up: Flat	Wall Thickness: 6"	Height (Int): 38"	Weight (Net): 3140 lb
Coating (Ext):	Seam Dn: n/a	Floor Height: 6"	Height (Ext): 44"	Volume (Net): 0.8cu.yd