

Structure ID: CB-3

P1 BX28280606VH

BOX BASE 6inW, 6inF, Variable Ht F/n

P2) 28" x 28" - CASTING HEIGHT - 6" P1) 28" x 28" - BOX BASE 6inW, 6inF, Variable Ht F/n - 45" 1) 28" x 28" - Con Seal CS-102 1.00" 2) Hole - 26	0 lb 3352 lb 0 lb 0 lb <hr style="width: 50px; margin: 0;"/> Structure Total: 3352 lb
---	---

Structure Notes:

1. PER ASTM C913 SPECIFICATIONS.
2. CONCRETE = 4,000 PSI AT 28 DAYS.
3. NO STEPS & NO INVERT CHANNEL.
4. CASTING BY OTHERS.

REINFORCING PER ASTM A615 (GRADE 60).

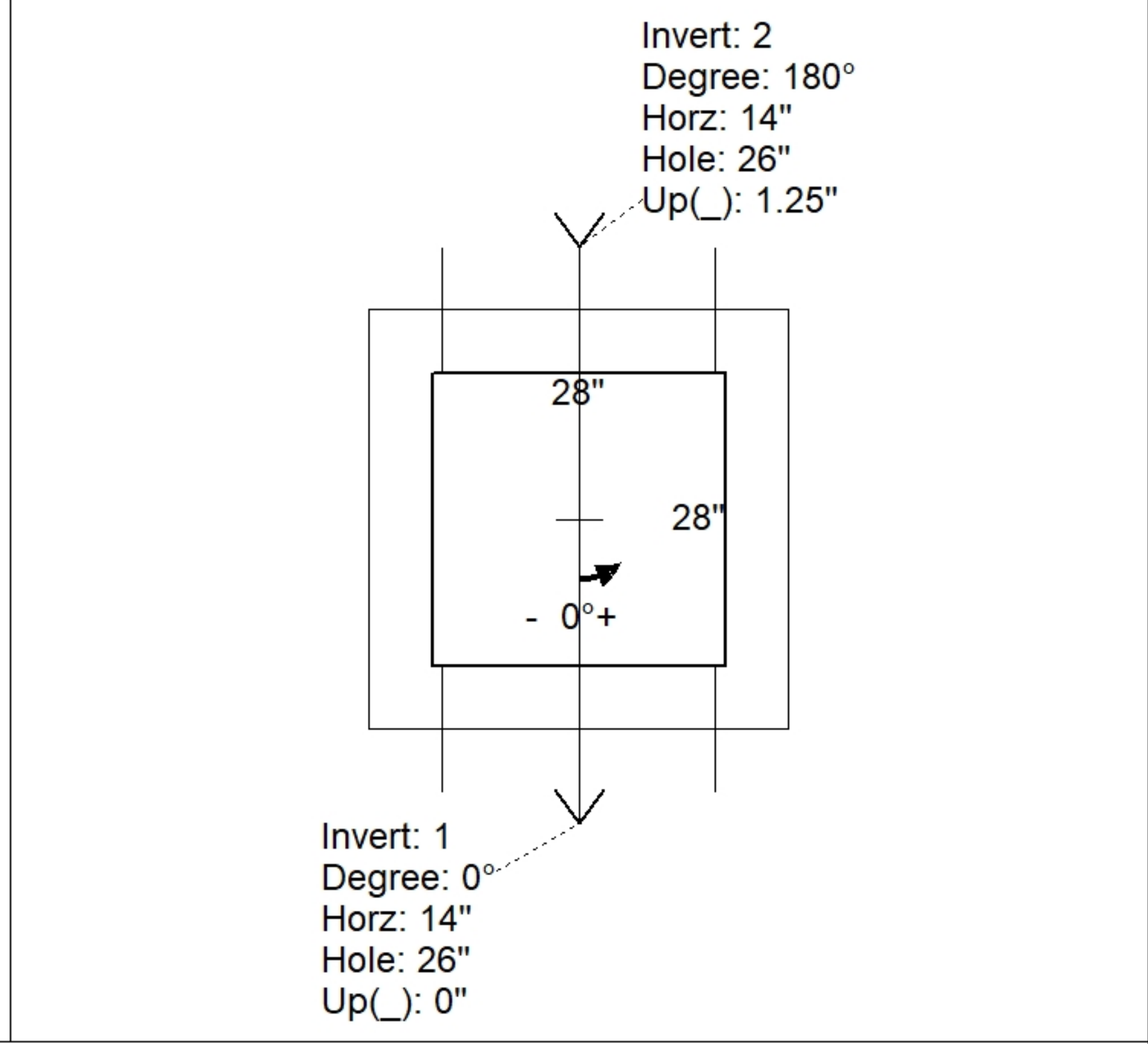
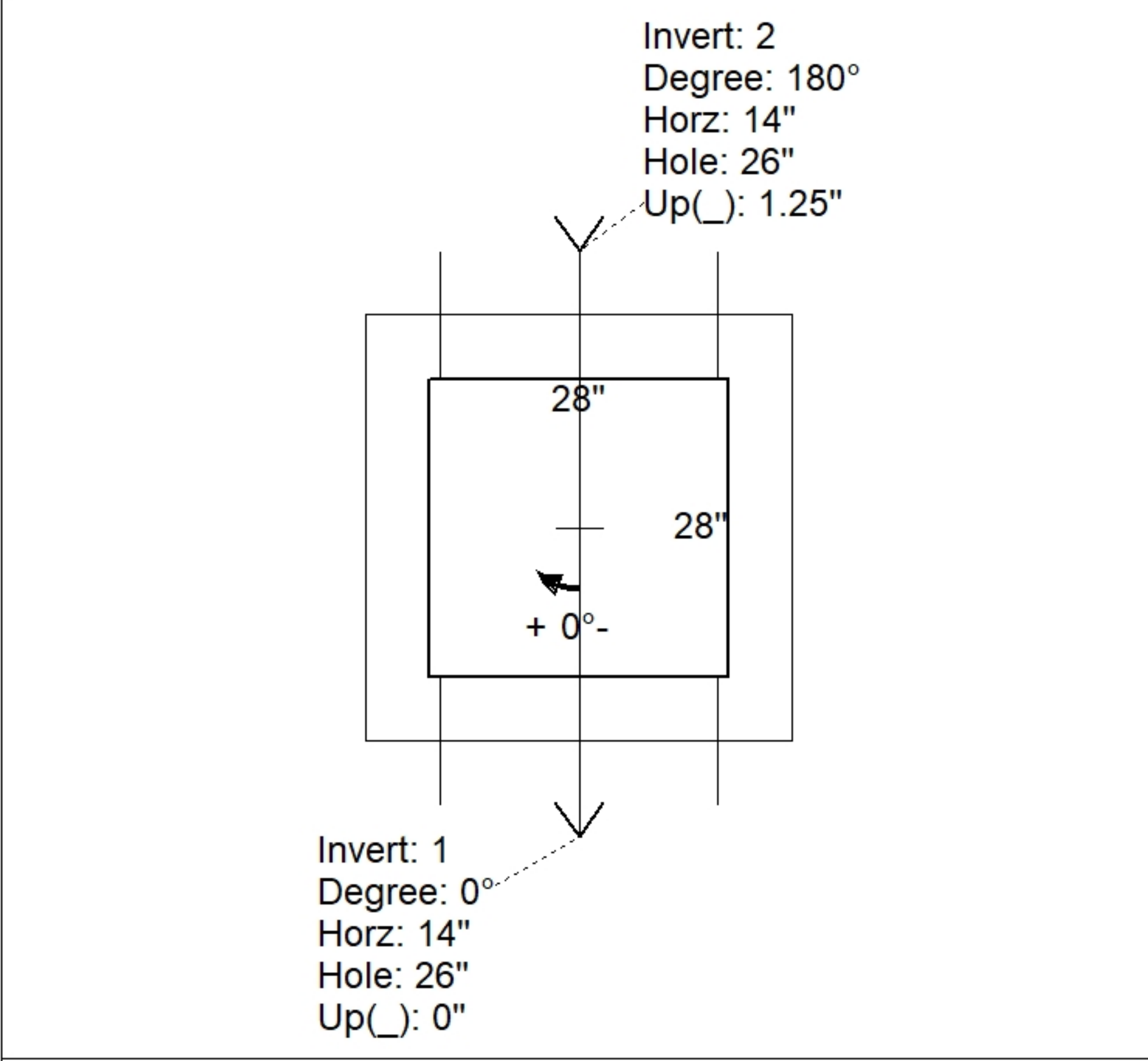
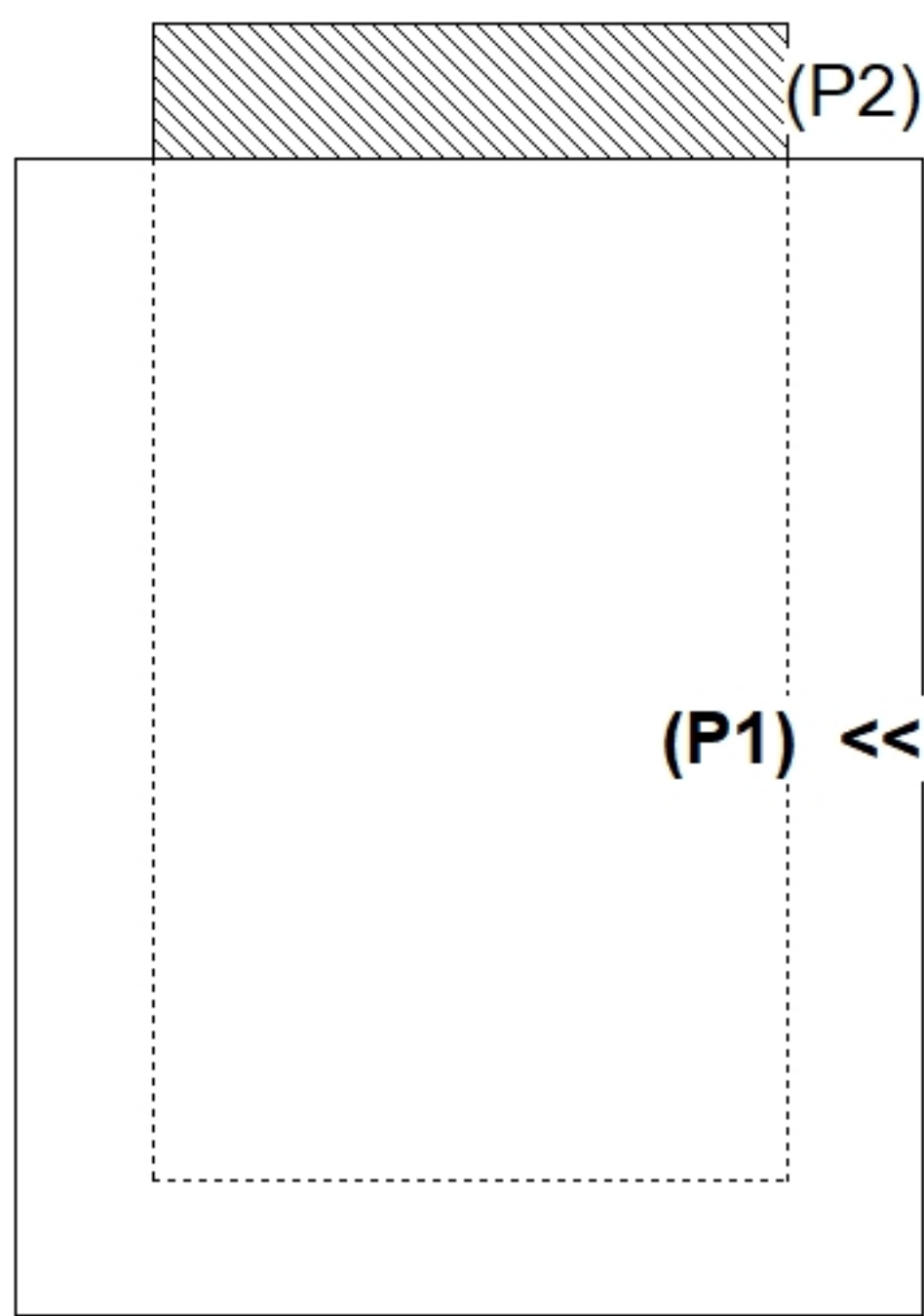
- WALLS (As .31) #5 BARS AT 12" C.C.E.W.
- FLOOR (As .31) #5 BARS AT 12" C.C.E.W.

Rim: 503.64' Rim to Invert: 4.06' Slack: 0.22" Sump: 2.5" Step Position: 90°

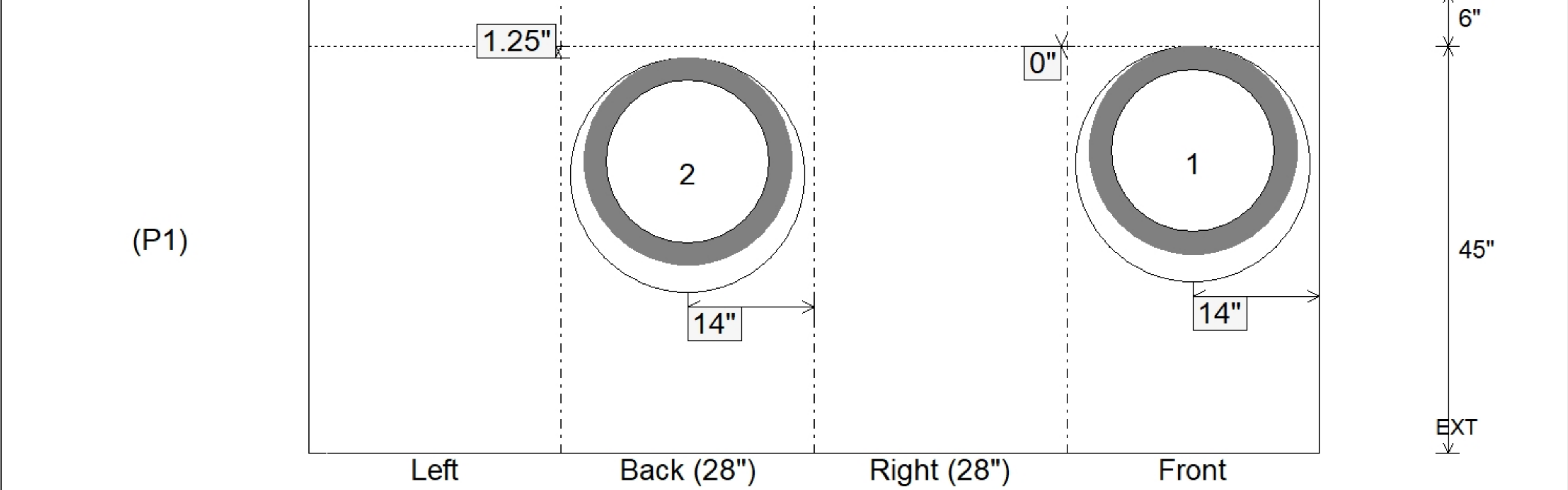
Position	Elev	Angle	Ext. (cw)	Pipe	Pipe OD	Connector	Hole	Horz Size	Up ()	Offset
Invert 1	499.58'	0°	20"	18" RCP B WALL	23"	Hole 26	26"	26"	0"	0"
Invert 2	499.68'	180°	20"	18" RCP B WALL	23"	Hole 26	26"	26"	1.25"	0"
Invert 3										
Invert 4										
Invert 5										
Invert 6										
Invert 7										
Invert 8										

RIGHT-SIDE UP VIEW (int. dimensions)

UPSIDE-DOWN VIEW (int. dimensions)



INSIDE WALL DIMENSIONS



Coating (Int): Coating (Ext):	Seam Up: Flat Seam Dn: n/a	Wall Thickness: 6" Floor Height: 6"	Height (Int): 45" Height (Ext): 51"	Weight (Net): 3352 lb Volume (Net): 0.86cu.yd
----------------------------------	-------------------------------	--	--	--