

Job Name: 25-2310 GOOSE CREEK SUBDIVISION
 Job Location: Hartsville, TN
 Contractor: Hayes Pipe Supply

Plant: Beaver Dam
 2/4/2026 12:37:02 PM

Tech: C.Russ
 PC: A.Chambers



Structure ID: CB-2

P2 BX036096-06LD06S

BX FLAT LID 6inW w/(2) 28"x28" HOLES F/F

- P3) 28" x 28" - CASTING HEIGHT - 6"
- P2) 36" x 96" - BX FLAT LID 6inW w/(2) 28"x28" HOLES F/F - 6"
- P1) 36" x 96" - BOX BASE 6inW, 6inF, Variable Ht F/n - 51"
- 1) 36" x 96" - Conseal CS-102 1.00"
- 1) 28" x 28" - Conseal CS-102 1.00"
- 4) Hole - 40

0 lb
 1425 lb
 7474 lb
 0 lb
 0 lb
 0 lb
 0 lb

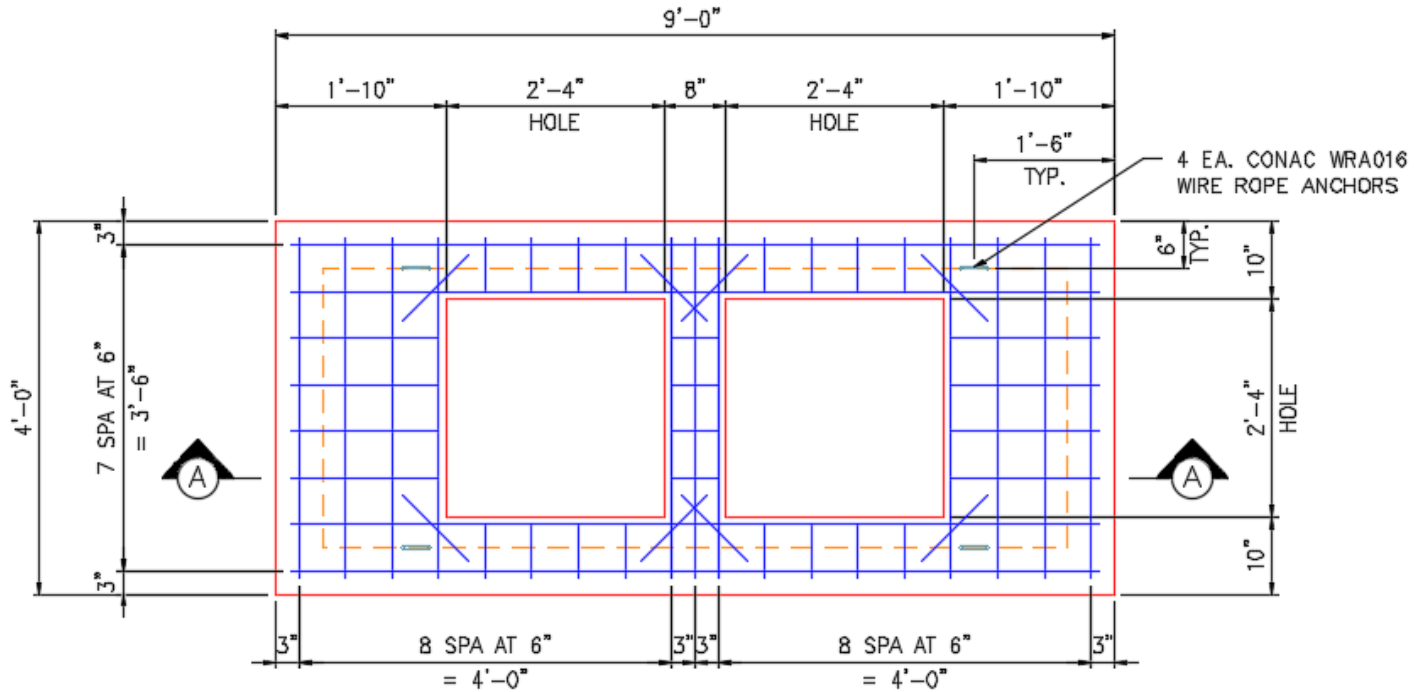
Structure Total: 8899 lb

Structure Notes:

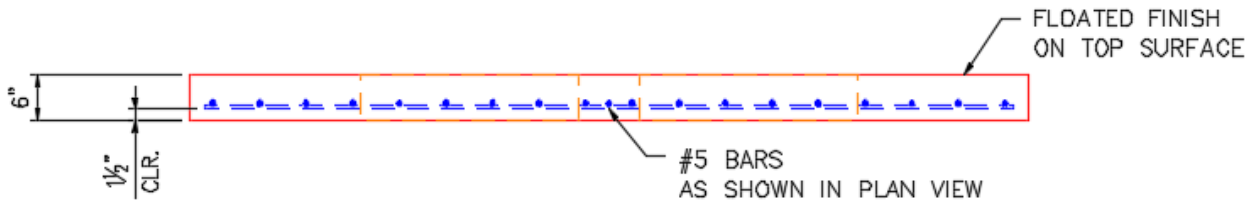
1. PER ASTM C913 SPECIFICATIONS.
2. CONCRETE = 4,000 PSI AT 28 DAYS.
3. NO STEPS & NO INVERT CHANNEL.
4. CASTING BY OTHERS

REINFORCING PER ASTM A615 (GRADE 60).

- TOP SLAB (As .62) #5 BARS AT 6" C.C.E.W.
- WALLS (As .12) #5 BARS AT 12" C.C.E.W.
- FLOOR (As .12) #5 BARS AT 12" C.C.E.W.



PLAN VIEW



SECTION A-A

Coating (Int):
 Coating (Ext):

Seam Up: Flat
 Seam Dn: Flat

Wall Thickness: 6"

Height (Ext): 6"

Weight (Net): 1425 lb
 Volume (Net): 0.36cu.yd