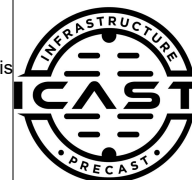


Job Name: 25-2290 - AutoZone 9385
 Job Location: Louisville, KY
 Contractor: Cornell Harbison Excavating

Plant: 100
 2/23/2026 10:32:20 AM

Tech: J. Horsley - A
 PC: Jay Ross Jarvis



Structure ID: 5-2

P2 MH048CN24

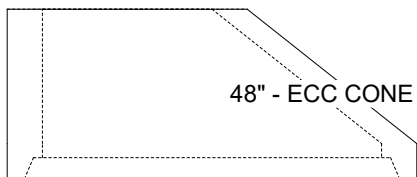
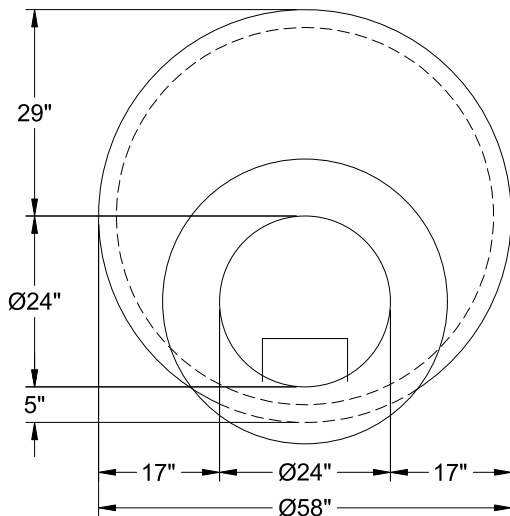
ECC CONE w/ 24" HOLE F/G

- P4) 24" - CASTING HEIGHT - 7"
- P3) 24" - GRADE RING F/F - 4"
- P2) 48" - ECC CONE w/ 24" HOLE F/G - 24"
- P1) 48" - MH BASE T/n - 36"
- 1) 48" - Conseal CS-102 1.00"
- 2) Hole - 18
- 5) MH Step ML-10-TDS-NCR - 10"

- 0 lb
- 270 lb
- 1550 lb
- 3627 lb
- 0 lb
- 0 lb
- 0 lb
- 0 lb

Structure Total: 5447 lb

- Structure Notes:
1. PER ASTM C-478 SPECIFICATIONS
 2. CONCRETE: 4,000 PSI AT 28 DAYS
 3. REINFORCEMENT: PER ASTM A615
 4. STEPS REQUIRED
 5. HOE MC-420 FRAME & COVER "STORM LOU-MSD" SUPPLIED BY OTHERS



48" - ECC CONE w/ 24" HOLE F/G - 24" - (P2)

Coating (Int):
 Coating (Ext):

Seam Up: Flat
 Seam Dn: Groove

Wall Thickness: 5"

Height (Ext): 24"

Weight (Net): 1550 lb
 Volume (Net): 0.33cu.yd