



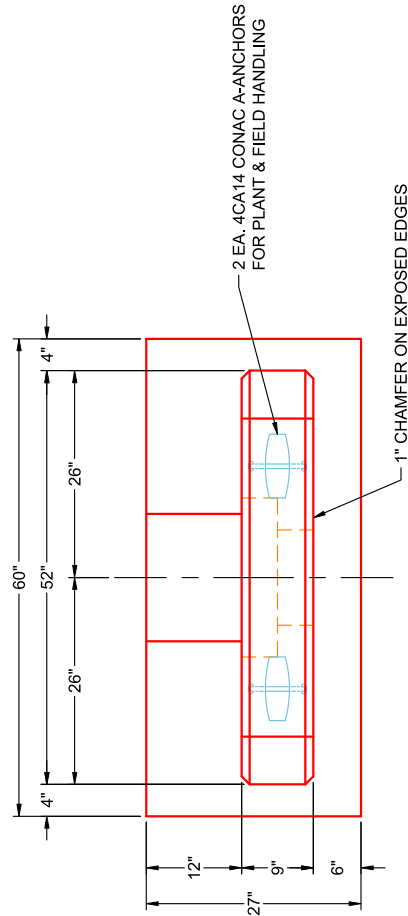
Structure ID: 5-1

P1 HWMSD12

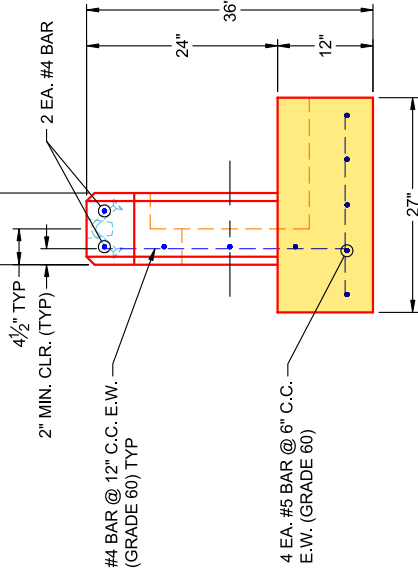
12" - STANDARD HEADWALL MSD F/F

GENERAL NOTES:

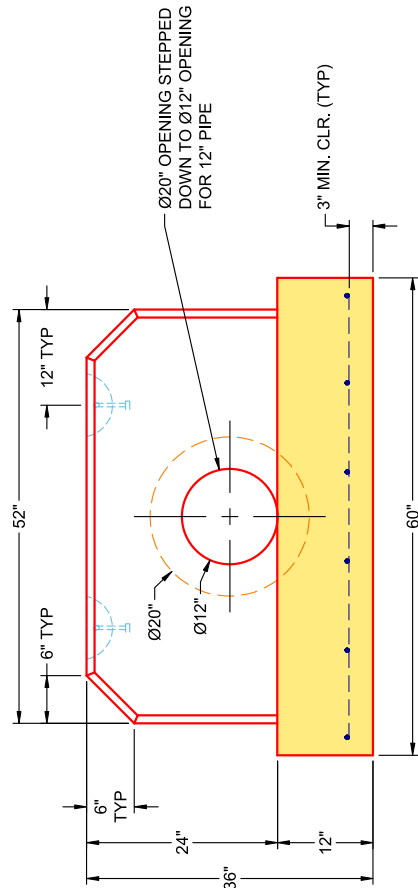
1. CONCRETE: 4,500 PSI AT 28 DAYS
2. REINFORCEMENT: #4 BAR & #5 BAR AS SHOWN (GRADE 60) - MIN. 2" REBAR CLEARANCE (TYP)
3. THIS DRAWING TO BE USED IN CONJUNCTION WITH MSD STANDARD DRAWING DH-01-01
4. REINFORCING BARS TO BE TACK WELDED OR TIED
5. 1" CHAMFER ON ALL EXPOSED EDGES
6. WEIGHT: 2,340 LBS
 - FIRST POUR: 1,870 LBS
 - SECOND POUR: 770 LBS



**PLAN VIEW
(RIGHT SIDE UP)**



**SIDE VIEW
(RIGHT SIDE UP)**



**FRONT VIEW
(RIGHT SIDE UP)**

PRODUCTION WORK ORDER		PRODUCT ID.: HWMSD12	DESCRIPTION: 12" MSD STANDARD HEADWALL
QUALITY CONTROL CHECKLIST <input type="checkbox"/> ALL DIMENSIONS CORRECT. <input type="checkbox"/> LIFTERS INSTALLED. <input type="checkbox"/> OPENING CENTERED. <input type="checkbox"/> REINFORCING CORRECT. <input type="checkbox"/> SURFACE QUALITY ACCEPTABLE. <input type="checkbox"/> EDGES CHAMFERED. <input type="checkbox"/> ALL PATCHWORK ACCEPTABLE.		PRODUCT VIEW: RIGHT SIDE UP	CUSTOMER: CORNELL HARBISON EXCAVATING
		PLANT: BEAVER DAM, KY	PROJECT: AUTOZONE 9385
		WEIGHT: 2,340 LBS	STRUCTURE: 5-1
		TOP SECTION JOINT: N / A	ORDER NO: 25-2290
		BASE SECTION JOINT: N / A	PE: J.H. ROSS
		QC CHECK INITIALS:	DRAWING: K. CARDWELL
			DATE: 02/23/26
			SCALE: NTS
			PG. 1 OF 1

THIS DRAWING IS THE PROPERTY OF INFRASTRUCTURE PRECAST, INC. ANY USE OR DUPLICATION OF THIS DRAWING WITHOUT PRIOR AUTHORIZATION IS STRICTLY PROHIBITED.



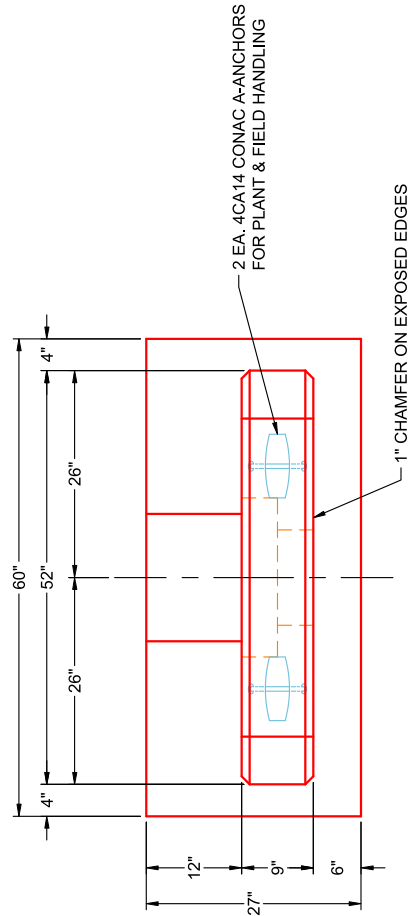
Structure ID: 5-1

P1 HWMSD12

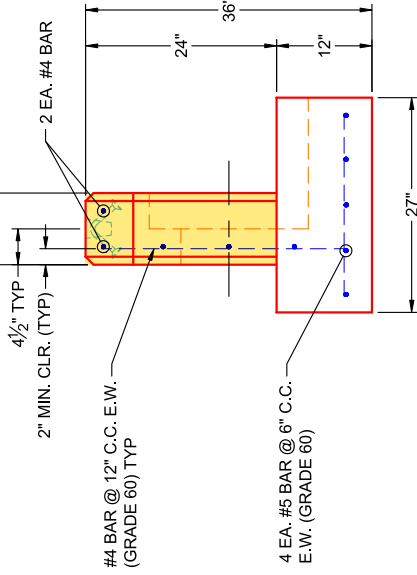
12" - STANDARD HEADWALL MSD F/F

GENERAL NOTES:

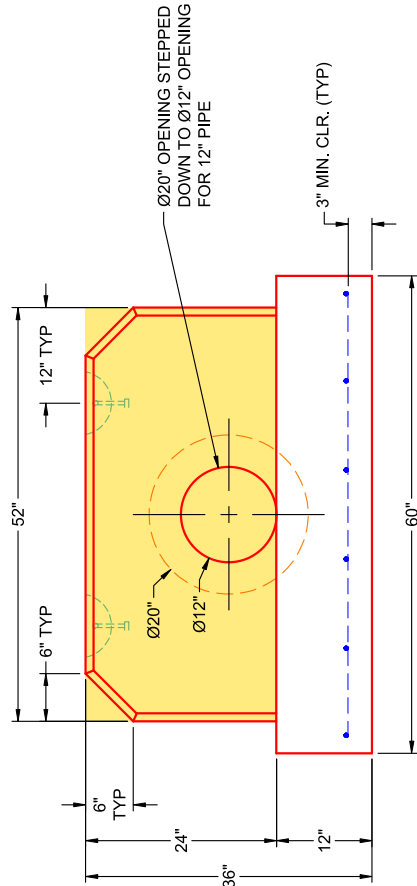
1. CONCRETE: 4,500 PSI AT 28 DAYS
2. REINFORCEMENT: #4 BAR & #5 BAR AS SHOWN (GRADE 60) - MIN. 2" REBAR CLEARANCE (TYP)
3. THIS DRAWING TO BE USED IN CONJUNCTION WITH MSD STANDARD DRAWING DH-01-01
4. REINFORCING BARS TO BE TACK WELDED OR TIED
5. 1" CHAMFER ON ALL EXPOSED EDGES
6. WEIGHT: 2,340 LBS
 - FIRST POUR: 1,870 LBS
 - SECOND POUR: 770 LBS



**PLAN VIEW
(RIGHT SIDE UP)**



**SIDE VIEW
(RIGHT SIDE UP)**



**FRONT VIEW
(RIGHT SIDE UP)**

PRODUCTION WORK ORDER QUALITY CONTROL CHECKLIST <input type="checkbox"/> ALL DIMENSIONS CORRECT. <input type="checkbox"/> LIFTERS INSTALLED. <input type="checkbox"/> OPENING CENTERED. <input type="checkbox"/> REINFORCING CORRECT. <input type="checkbox"/> SURFACE QUALITY ACCEPTABLE. <input type="checkbox"/> EDGES CHAMFERED. <input type="checkbox"/> ALL PATCHWORK ACCEPTABLE.	PRODUCT ID.: HWMSD12 PRODUCT VIEW: RIGHT SIDE UP PLANT: BEAVER DAM, KY WEIGHT: 2,340 LBS TOP SECTION JOINT: N / A BASE SECTION JOINT: N / A QC CHECK INITIALS:	DESCRIPTION: 12" MSD STANDARD HEADWALL CUSTOMER: CORNELL HARBISON EXCAVATING PROJECT: AUTOZONE 9385 STRUCTURE: 5-1 ORDER NO: 25-2290 PE: J.H. ROSS DATE: 02/23/26
	SCALE: NTS PG. 1 OF 1	DRAWING: K. CARDWELL

