

Job Name: 25-2290 - AutoZone 9385
Job Location: Louisville, KY
Contractor: Cornell Harbison Excavating

PC: Jay Ross Jarvis
 TECH: J. Horsley - A
 Plant: 100



Structure ID: 4-2
 Spec: Storm
 Type: STM.MH (Recessed pipe)
 Size: 48"

Rim: 460.5'
 Invert: 455'
 Rim to Invert: 5.5'

Sump: 0"
 Floor (Top): 455'
 Floor Height: 6"

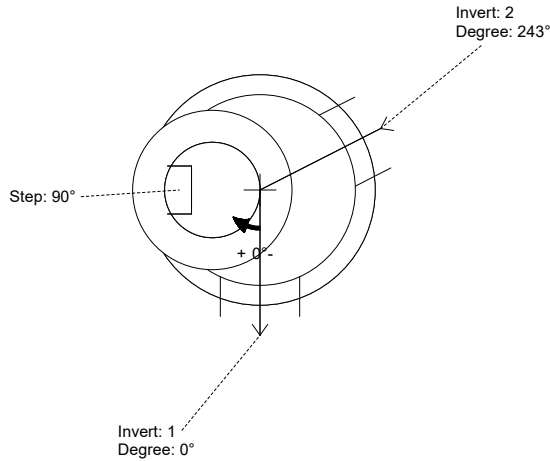
Floor (Bot): 454.5'
 Overall Height: 5.917'
 Slack: 1"

Structure Notes:
 PLAN LABEL: MH 4-2
 1. PER ASTM C-478 SPECIFICATIONS
 2. CONCRETE: 4,000 PSI AT 28 DAYS
 3. REINFORCEMENT: PER ASTM A615
 4. NO STORM INVERT
 5. STEPS AT 90 DEGREES
 6. HOE MC-420 FRAME & COVER "STORM LOU-MSD" SUPPLIED BY OTHERS

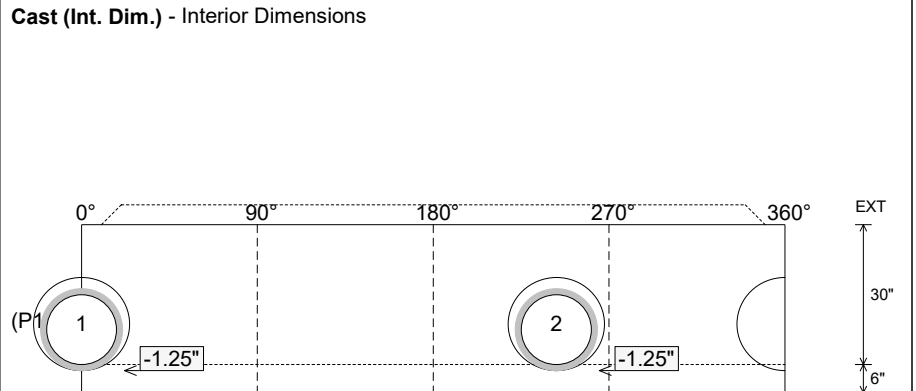
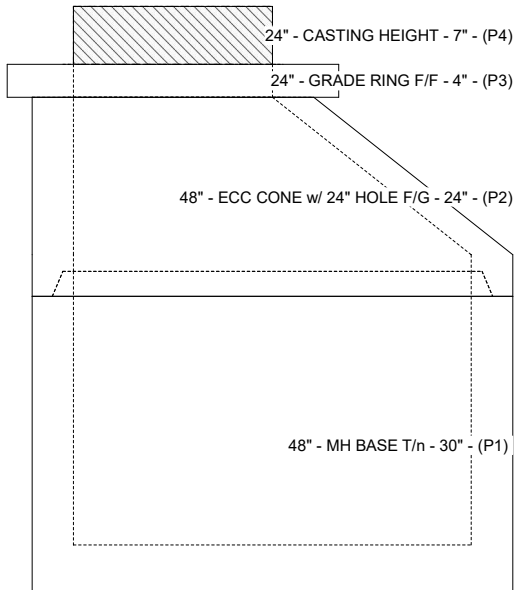
STRUCTURE SUMMARY:

P4) 24" - CASTING HEIGHT - 7"	0 lb
P3) 24" - GRADE RING F/F - 4"	270 lb
P2) 48" - ECC CONE w/ 24" HOLE F/G - 24"	1550 lb
P1) 48" - MH BASE T/n - 30"	3155 lb
1) 48" - Conseal CS-102 1.00"	0 lb
2) Hole - 20	0 lb
5) MH Step ML-10-TDS-NCR - 10"	0 lb

Structure Total:	4975 lb



Position	Elev	Angle	Pipe	Pipe OD	Hole	Connector	Up (L)	Ref
Rim	460.5'							
Reducer								
Invert 1	455'	0°	15" HDPE	17.6"	20"	Hole 20	-1.25"	P1
Invert 2	455'	243°	15" HDPE	17.6"	20"	Hole 20	-1.25"	P1
Invert 3								
Invert 4								
Invert 5								
Invert 6								
Invert 7								
Invert 8								



Submittal Drawing
 2/23/2026 9:01:59 AM

SUBMITTAL
 APPROVED BY: