

Job Name: 25-2280 Lakota lake Dam & Spillway Rehab
Job Location: West Chester, OH
Contractor: Sunesis Construction Co

PC: E. Bradley
 TECH: C.Russ
 Plant: Beaver Dam



Structure ID: **SIPHON V.V.**

Spec: Storm
 Type: STM.MH
 Size: 48"

Rim: 820'
 Invert: 812.9'
 Rim to Invert: 7.1'

Sump: 11.766"
 Floor (Top): 811.92'
 Floor Height: 6"

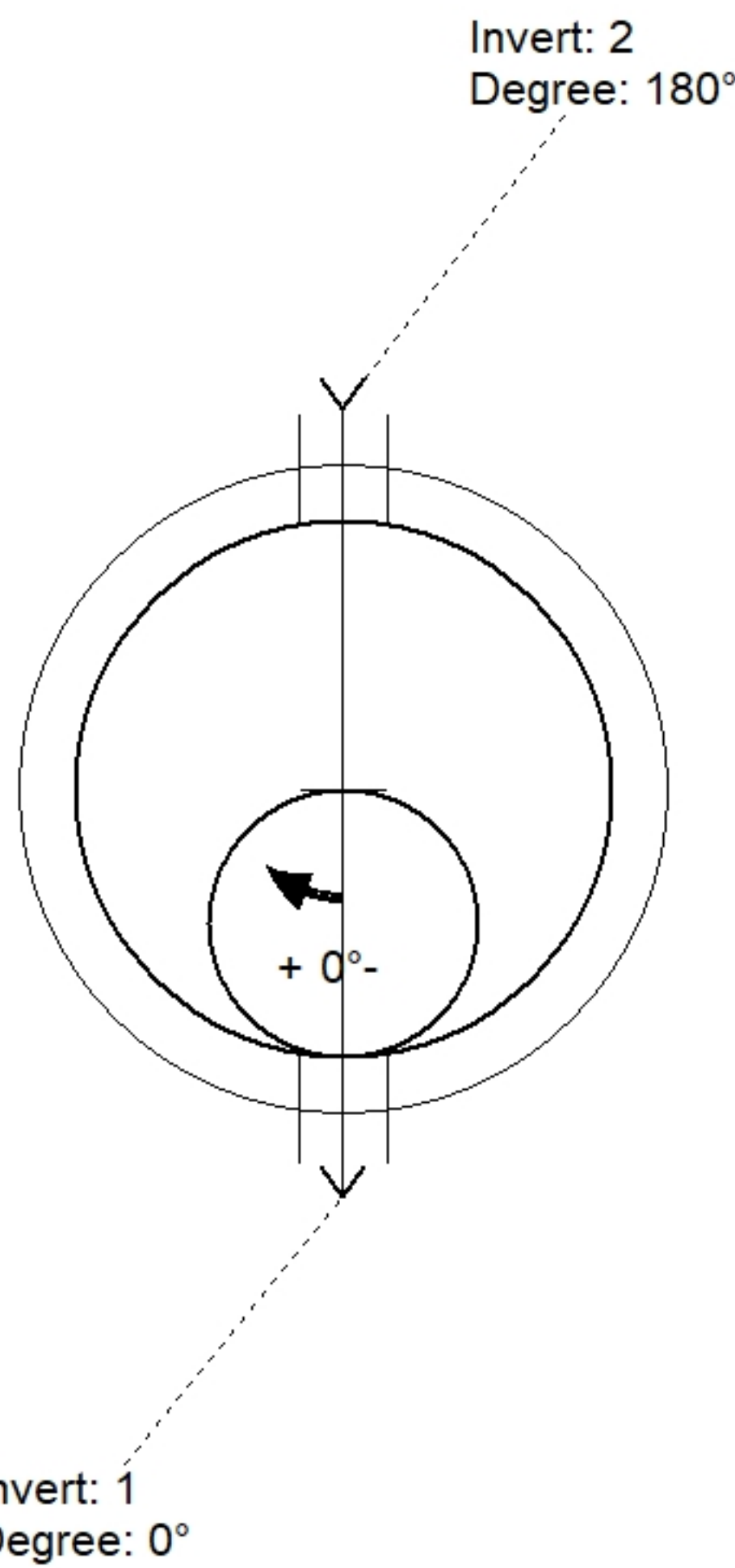
Floor (Bot): 811.42'
 Overall Height: 9.083'
 Slack: -6.034"

Structure Notes:

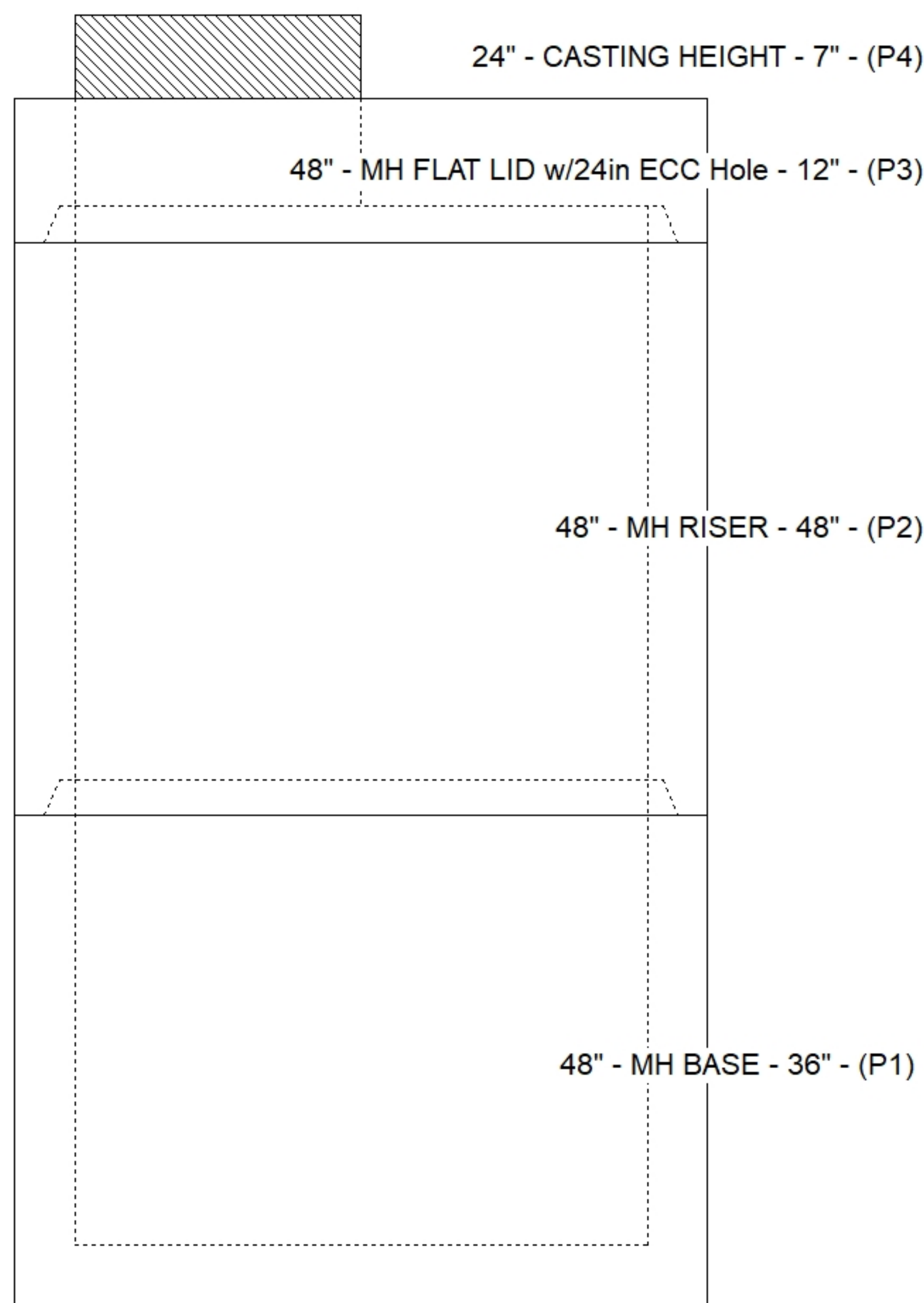
1. PER ASTM C478 SPECIFICATIONS.
2. CONCRETE = 4,000 PSI AT 28 DAYS.
3. JR HOE WT-375 SAN F/C PROVIDED BY ICAST.
4. REINFORCING PER ASTM A615 (GRADE 60).
 - TOP SLAB (As .62) #5 BARS AT 6" C.C.E.W..
 - RISER/WALLS (As .12)
 - FLOOR (As .31) #5 BARS AT 12" C.C.E.W.

STRUCTURE SUMMARY:

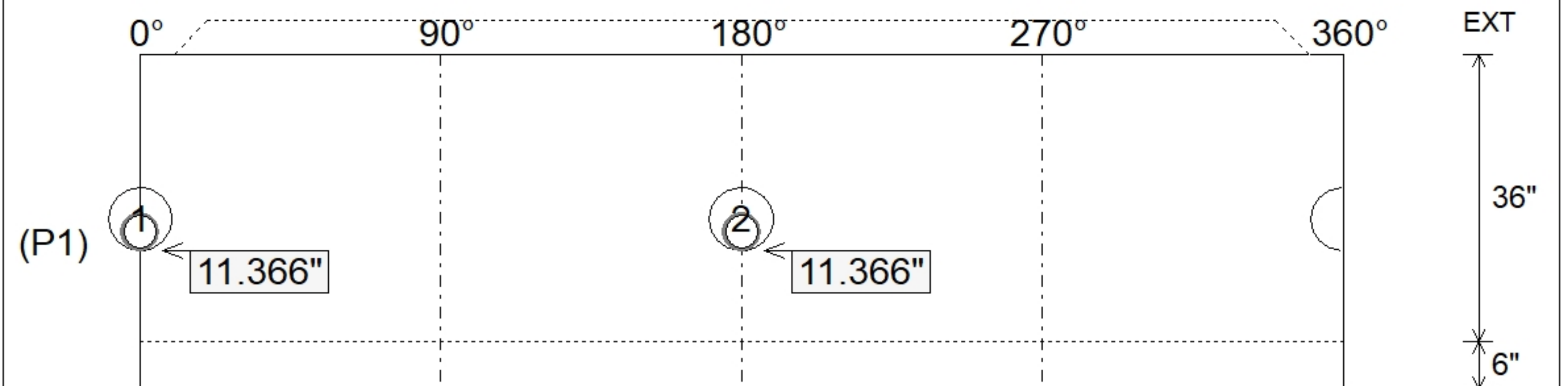
| | |
|---|----------------|
| P4) 24" - CASTING HEIGHT - 7" | 0 lb |
| P3) 48" - MH FLAT LID w/24in ECC Hole - 12" | 1561 lb |
| P2) 48" - MH RISER - 48" | 3353 lb |
| P1) 48" - MH BASE - 36" | 3803 lb |
| 2) 48" - SGL 1"x14.5' Butyl (2x) | 0 lb |
| 2) Hole - 8 | 0 lb |
| Structure Total: | 8717 lb |



| Position | Elev | Angle | Pipe | Pipe OD | Hole | Connector | Up (') | Ref |
|----------|--------|-------|---------|---------|------|-----------|---------|-----|
| Rim | 820' | | | | | | | |
| Reducer | | | | | | | | |
| Invert 1 | 812.9' | 0° | 4" HDPE | 4.8" | 8" | Hole 8 | 11.366" | P1 |
| Invert 2 | 812.9' | 180° | 4" HDPE | 4.8" | 8" | Hole 8 | 11.366" | P1 |
| Invert 3 | | | | | | | | |
| Invert 4 | | | | | | | | |
| Invert 5 | | | | | | | | |
| Invert 6 | | | | | | | | |
| Invert 7 | | | | | | | | |
| Invert 8 | | | | | | | | |



Default - Interior Dimensions



Submittal Drawing
 11/13/2025 7:59:25 AM

SUBMITTAL
 APPROVED BY: