

Job Name: 25-2280 Lakota lake Dam & Spillway Rehab
Job Location: West Chester, OH
Contractor: Sunesis Construction Co

PC: E. Bradley
 TECH: C.Russ
 Plant: Beaver Dam



Structure ID: **SIPHON CONTROL V.V.**

Spec: Storm
 Type: STM.MH
 Size: 48"
 Rim: 790.3'
 Invert: 781.33'
 Rim to Invert: 8.97'

Sump: 4.5"
 Floor (Top): 780.955'
 Floor Height: 6"

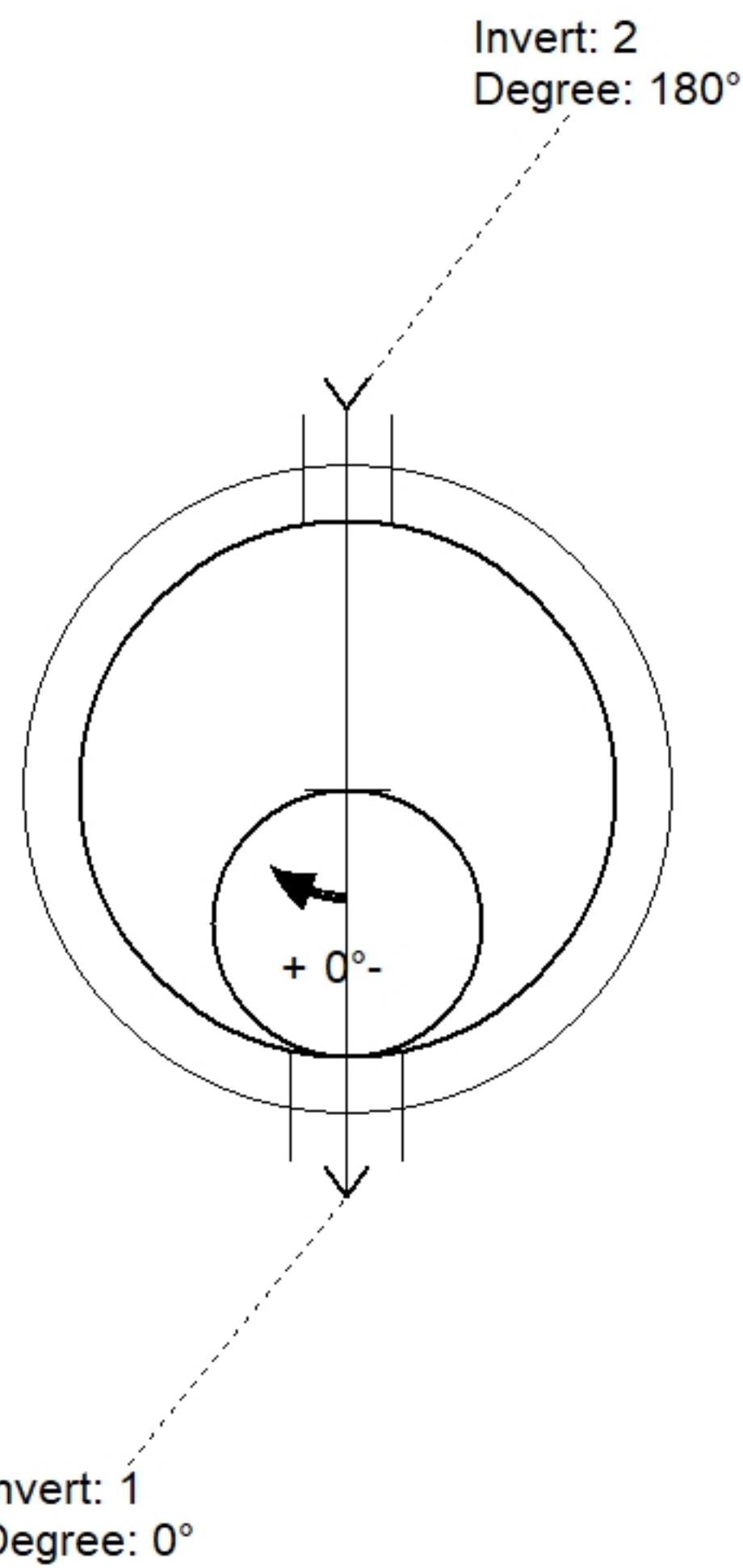
Floor (Bot): 780.455'
 Overall Height: 9.75'
 Slack: 1.14"

Structure Notes:

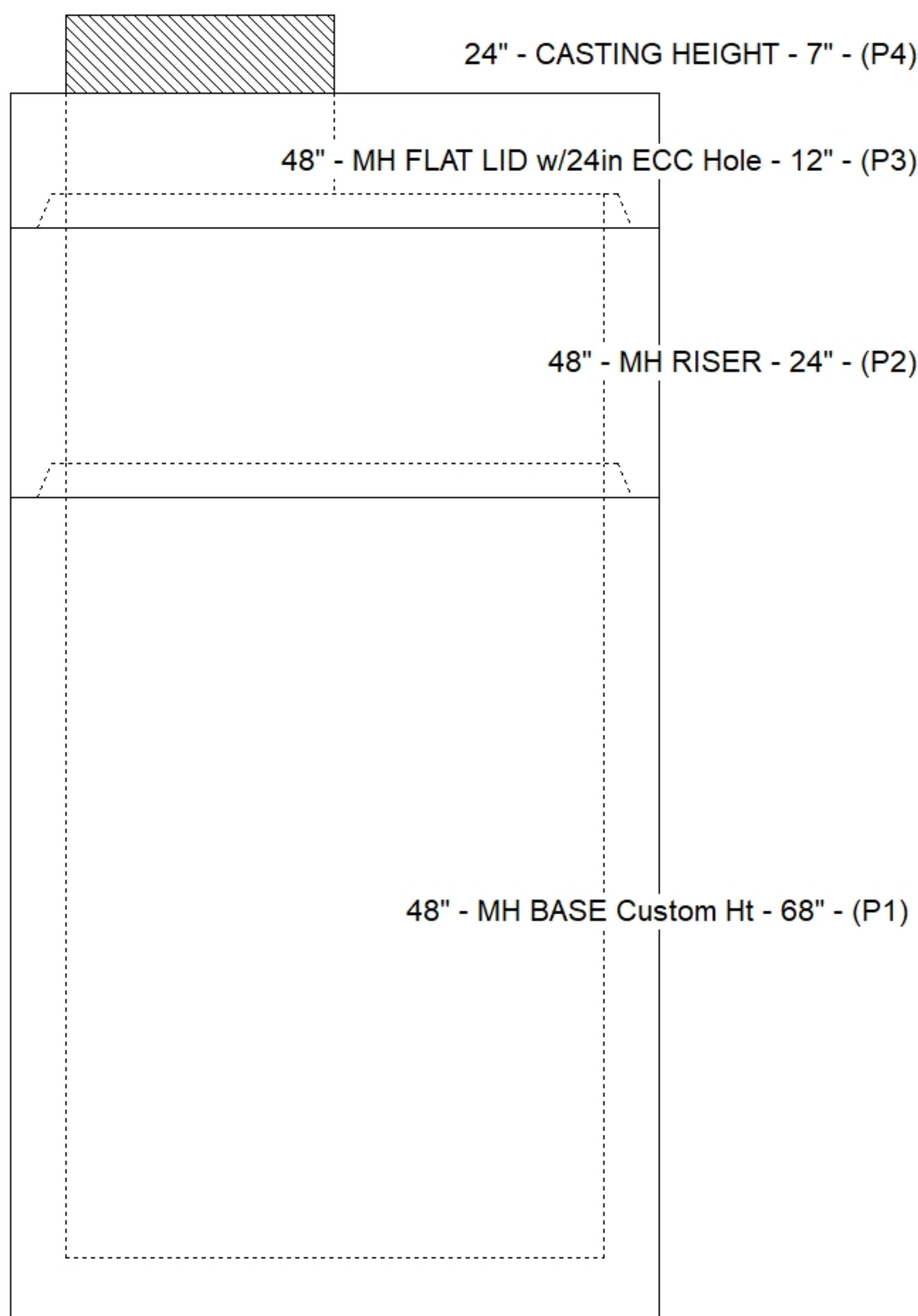
- PER ASTM C478 SPECIFICATIONS.
- CONCRETE = 4,000 PSI AT 28 DAYS.
- JR HOE WT-375 SAN F/C PROVIDED BY ICAST.
- REINFORCING PER ASTM A615 (GRADE 60).
 - TOP SLAB (As .62) #5 BARS AT 6" C.C.E.W..
 - RISER/WALLS (As .12)
 - FLOOR (As .31) #5 BARS AT 12" C.C.E.W.

STRUCTURE SUMMARY:

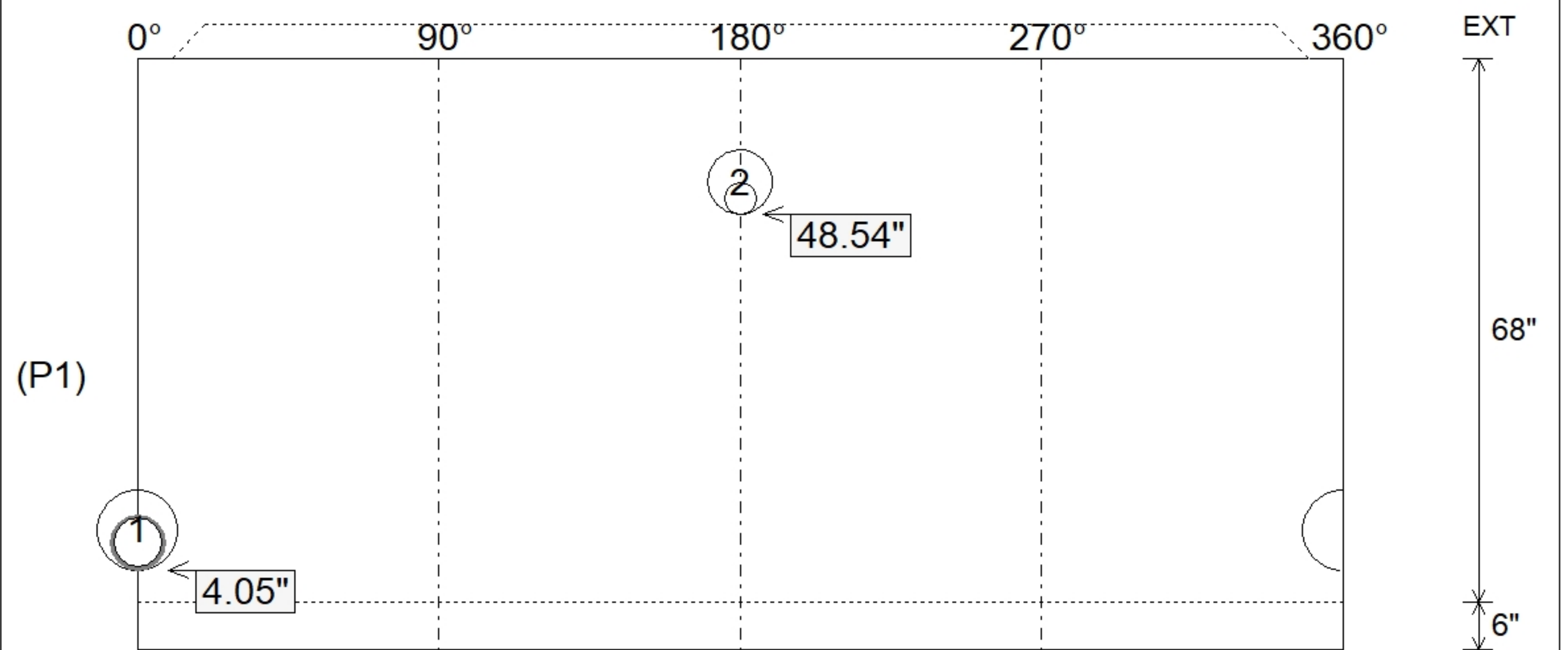
P4) 24" - CASTING HEIGHT - 7"	0 lb
P3) 48" - MH FLAT LID w/24in ECC Hole - 12"	1561 lb
P2) 48" - MH RISER - 24"	1677 lb
P1) 48" - MH BASE Custom Ht - 68"	6026 lb
2) 48" - SGL 1"x14.5' Butyl (2x)	0 lb
1) Hole - 10	0 lb
1) Hole - 8	0 lb
Structure Total:	9264 lb



Position	Elev	Angle	Pipe	Pipe OD	Hole	Connector	Up (L)	Ref
Rim	790.3'							
Reducer								
Invert 1	781.33'	0°	6" HDPE	6.9"	10"	Hole 10	4.05"	P1
Invert 2	785'	180°	4" Hole	4"	8"	Hole 8	48.54"	P1
Invert 3								
Invert 4								
Invert 5								
Invert 6								
Invert 7								
Invert 8								



Default - Interior Dimensions



Submittal Drawing
 11/13/2025 7:59:24 AM

SUBMITTAL
 APPROVED BY: