

**Job Name: 25-2280 Lakota lake Dam & Spillway Rehab**  
**Job Location: West Chester, OH**  
**Contractor: Sunesis Construction Co**

PC: E. Bradley  
 TECH: C.Russ  
 Plant: Beaver Dam



Structure ID: **OCS 1**

Spec: Storm  
 Type: BX 8inW, 8inF  
 Size: 48" x 48"

Rim: 818'  
 Invert: 810.83'  
 Rim to Invert: 7.17'

Sump: 2.55"  
 Floor (Top): 810.618'  
 Floor Height: 8"

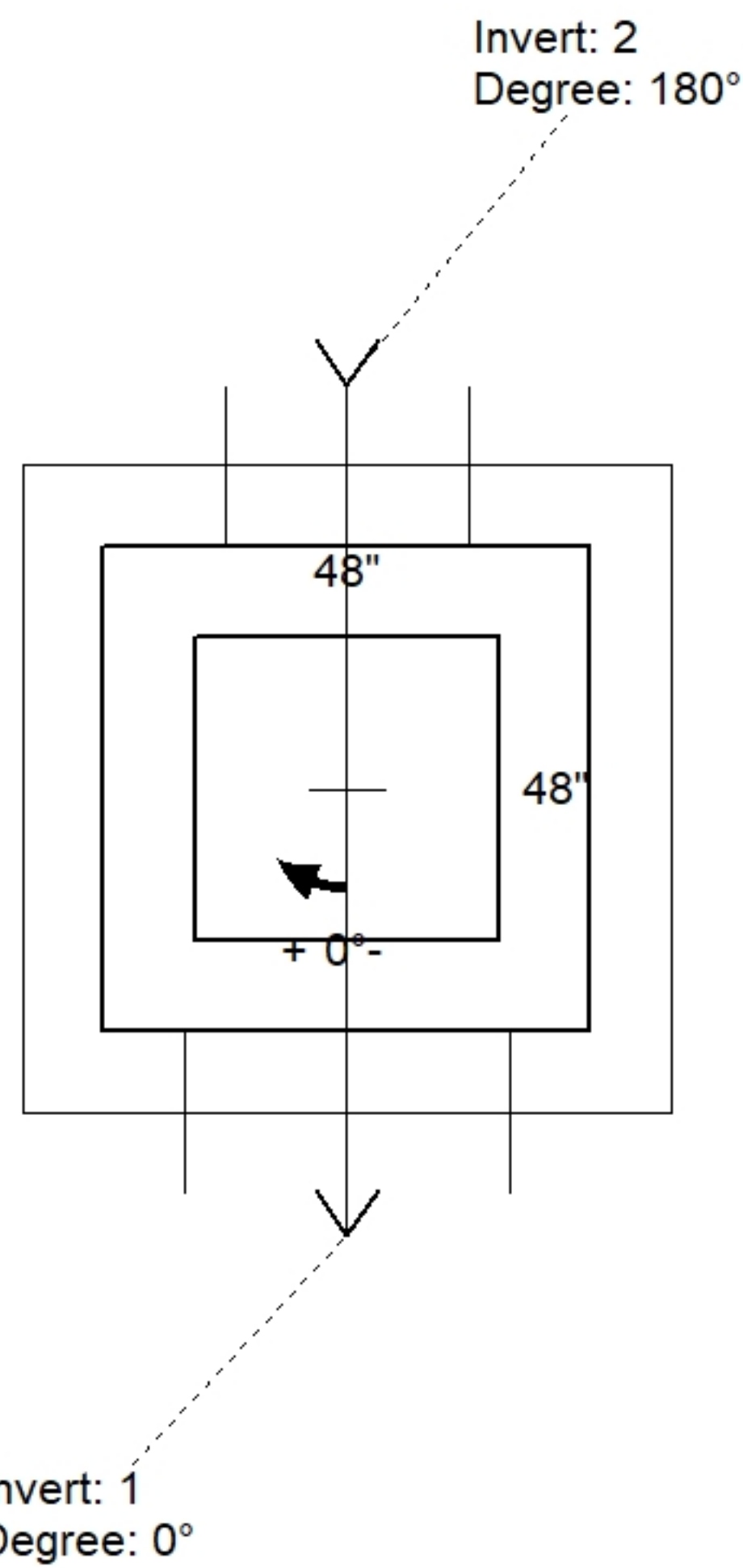
Floor (Bot): 809.951'  
 Overall Height: 8'  
 Slack: 0.59"

Structure Notes:

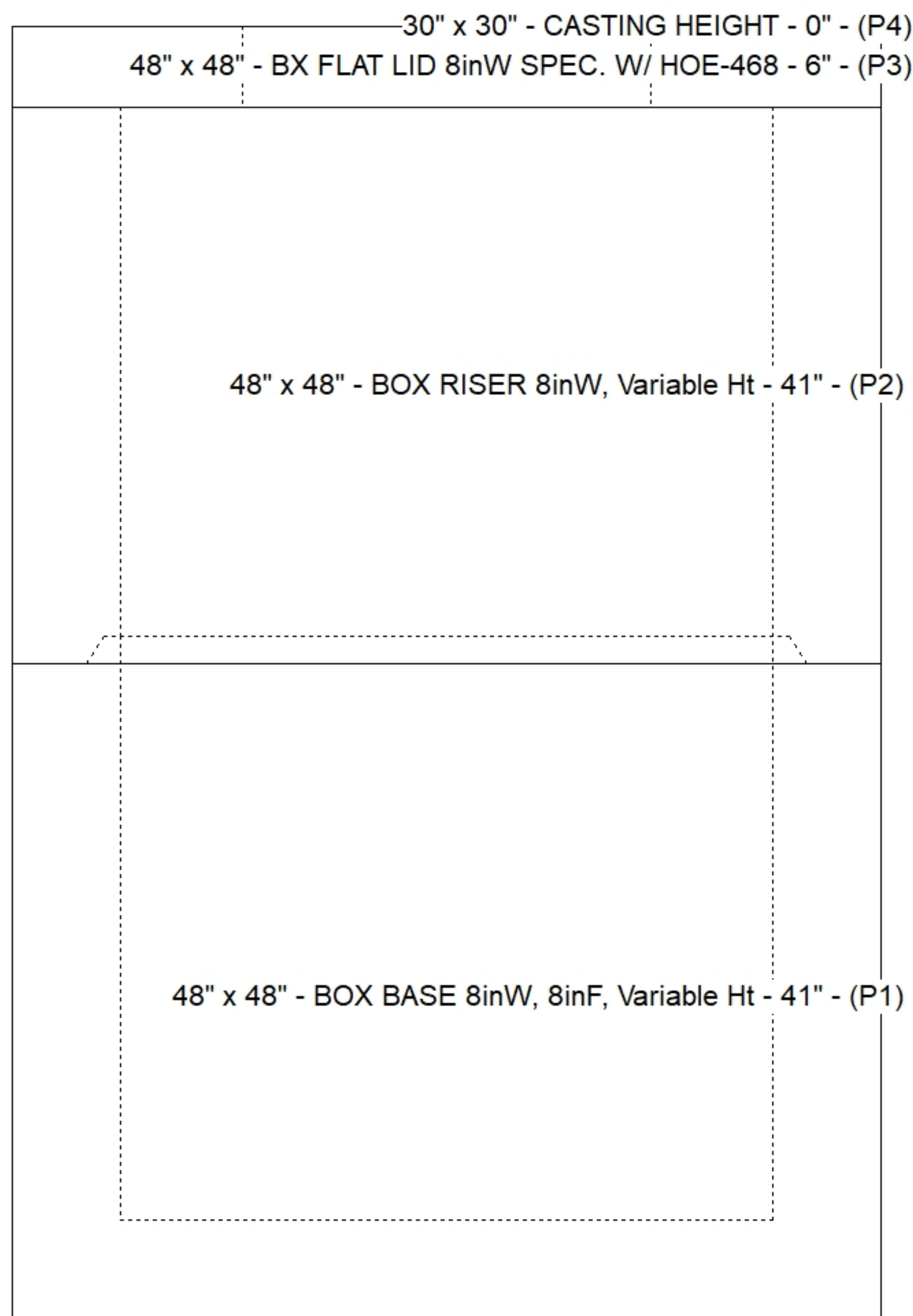
1. PER ASTM C913 SPECIFICATIONS.
2. CONCRETE = 4,000 PSI AT 28 DAYS.
3. NO INVERT CHANNEL.
4. HOE 468 F/G PROVIDED BY ICAST, FRAME CAST INTO TOP SLAB.
5. LSW3636 TRASH GRATE PROVIDED BY ICAST, TO BE INSTALLED IN FIELD.
6. REINFORCING PER ASTM A615 (GRADE 60).  
 - TOP SLAB (As .62) #5 BARS AT 6" C.C.E.W.  
 - WALLS (As .12) #5 BARS AT 12" C.C.E.W.  
 - FLOOR (As .12) #5 BARS AT 12" C.C.E.W.

STRUCTURE SUMMARY:

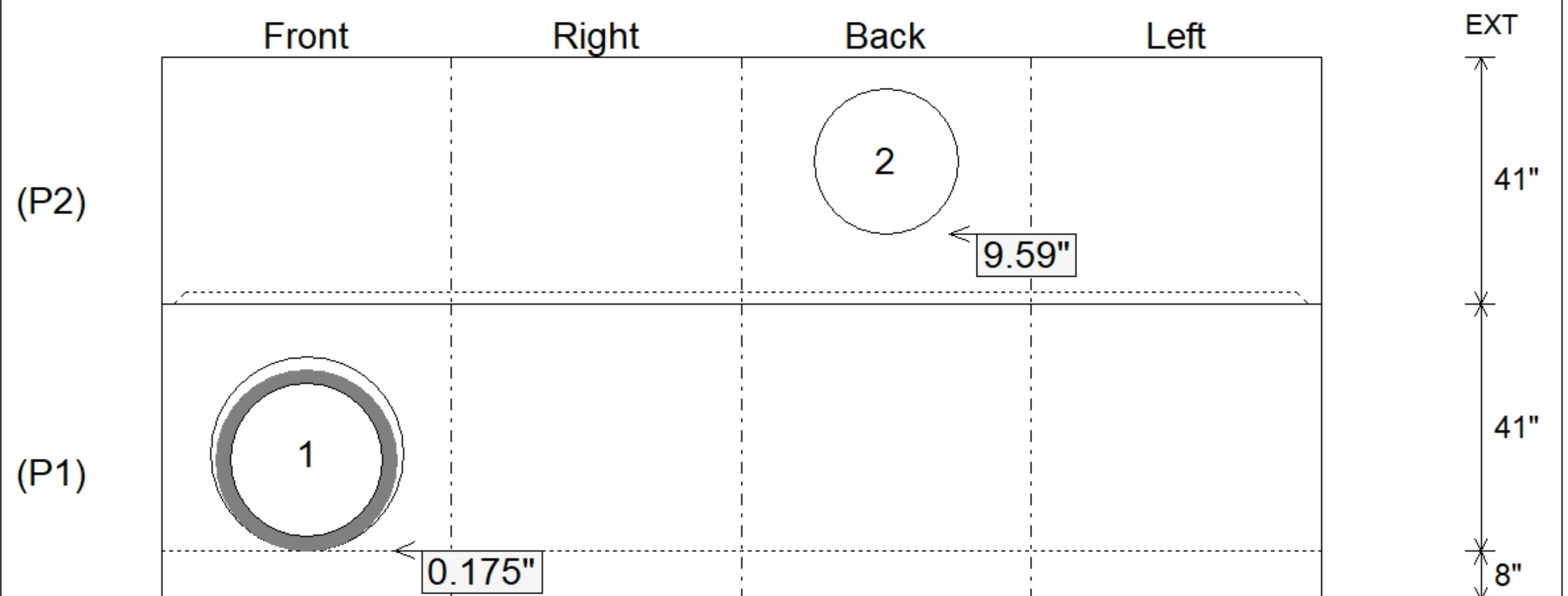
P4) 30" x 30" - CASTING HEIGHT - 0"	0 lb
P3) 48" x 48" - BX FLAT LID 8inW SPEC. W/ HOE-468 - 6"	1609 lb
P2) 48" x 48" - BOX RISER 8inW, Variable Ht - 41"	5861 lb
P1) 48" x 48" - BOX BASE 8inW, 8inF, Variable Ht - 41"	8375 lb
1) This Structure Includes a Cast-in Item	0 lb
2) 48" x 48" - Con Seal CS-102 1.00"	0 lb
1) 30" x 30" - Con Seal CS-102 1.00"	0 lb
1) Kor-N-Seal2 - S206-32	6 lb
1) Hole - 24	0 lb
<b>Structure Total:</b>	<b>15852 lb</b>



Position	Elev	Angle	Pipe	Pipe OD	Hole	Connector	Up (")	Ref
Rim	818'							
Reducer								
Invert 1	810.83'	0°	30" HDPE-FP	30"	32"	Kor-N-Seal2 S206-32	0.175"	P1
Invert 2	815'	180°	24" Hole	24"	24"	Hole 24	9.59"	P2
Invert 3								
Invert 4								
Invert 5								
Invert 6								
Invert 7								
Invert 8								



**Default - Interior Dimensions**



Submittal Drawing  
 11/13/2025 7:59:22 AM

SUBMITTAL  
 APPROVED BY: