

Structure ID: CB-1

P1 BX3030-06BA36

BOX BASE 6inW, 6inF F/n

- P2) 30" x 30" - CASTING HEIGHT - 4"
- P1) 30" x 30" - BOX BASE 6inW, 6inF F/n - 36"
- 1) CASTING - HOE 280T F/G
- 1) 30" x 30" - SGL 1"x14.5' Butyl
- 2) Hole - 20

	0 lb
	3157 lb
	182 lb
	0 lb
	0 lb
Structure Total:	3339 lb

Structure Notes:

1. PER ASTM C913 SPECIFICATIONS.
2. CONCRETE = 4,000 PSI AT 28 DAYS.
3. NO INVERT CHANNEL.
4. HOE 280T PROVIDED BY ICAST REINFORCING PER ASTM A615 (GRADE 60).

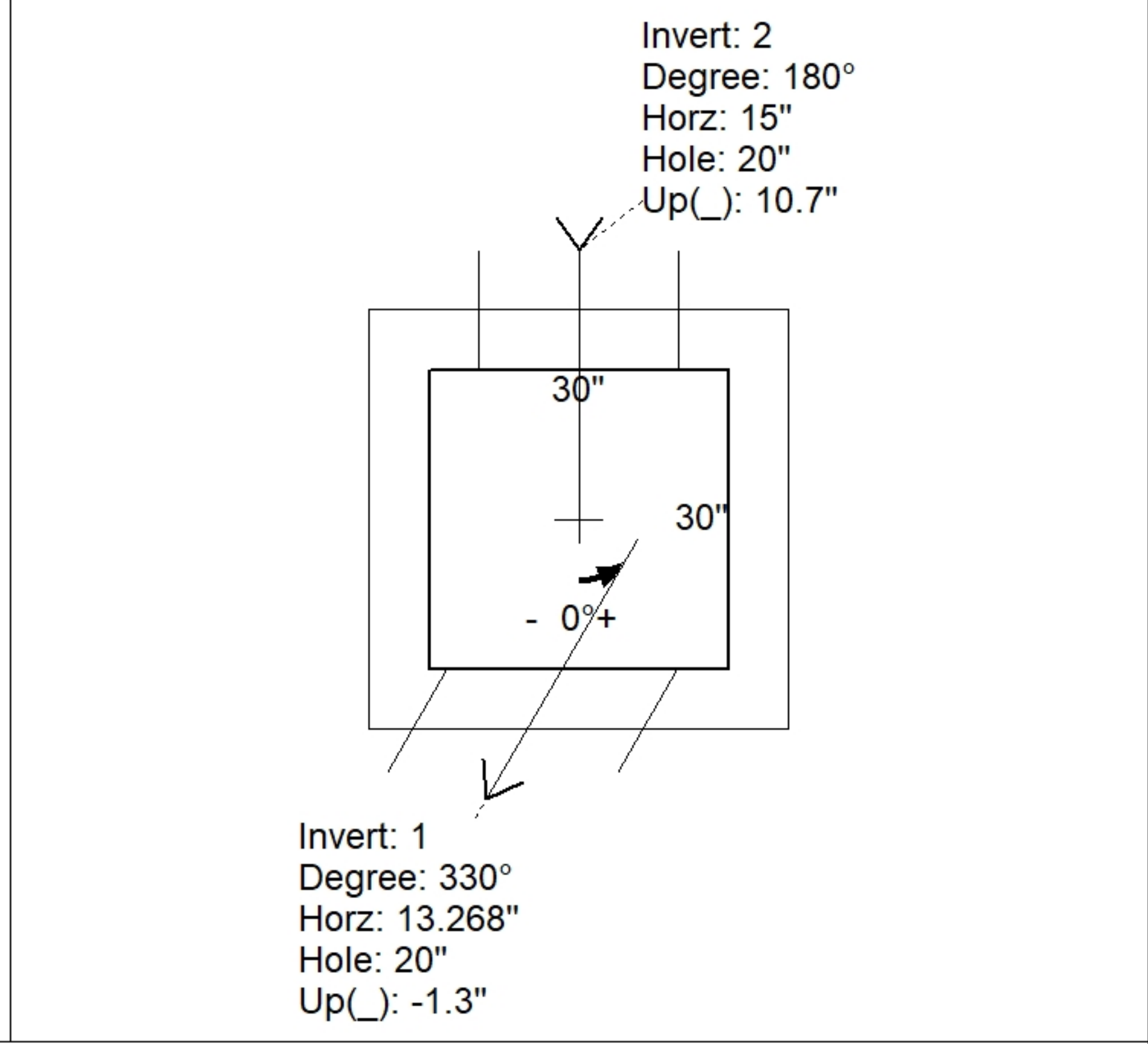
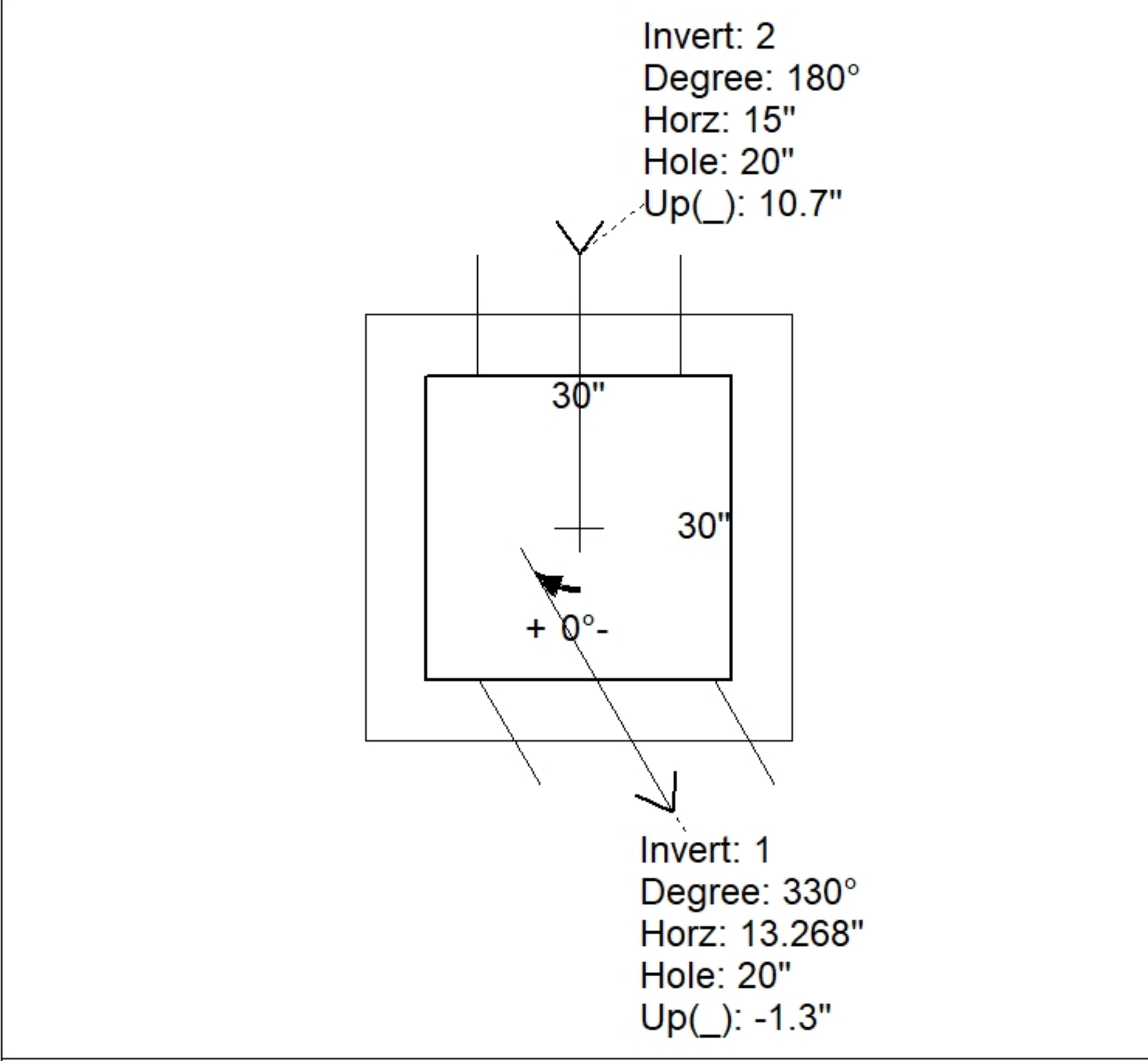
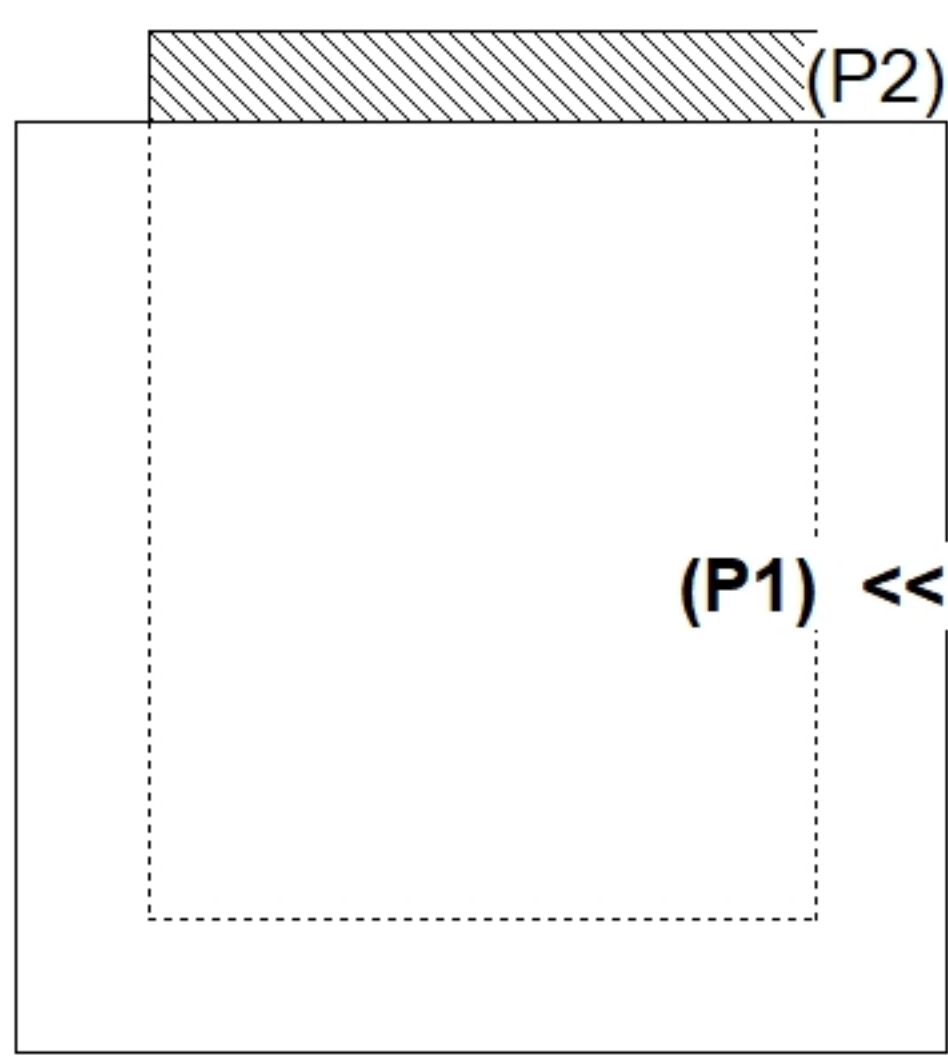
- TOP SLAB (As .62) #5 BARS AT 6" C.C.E.W.
- WALLS (As .12) #5 BARS AT 12" C.C.E.W.
- FLOOR (As .12) #5 BARS AT 12" C.C.E.W.

Rim: 755.8' Rim to Invert: 3.48' Slack: 1.76" Sump: 0" Step Position:

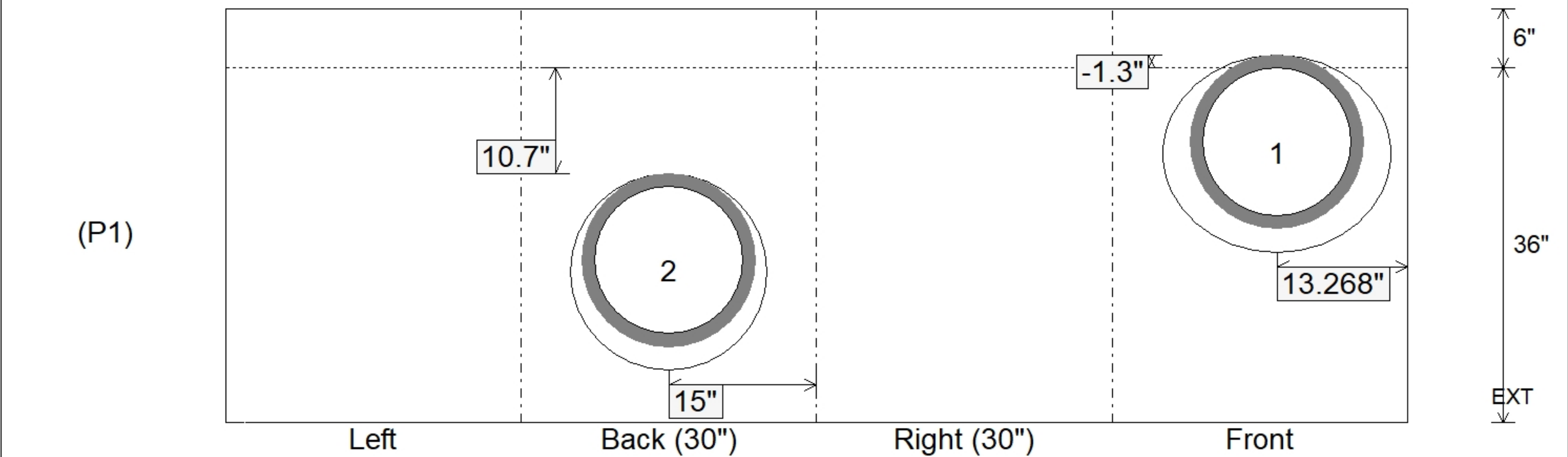
Position	Elev	Angle	Ext. (cw)	Pipe	Pipe OD	Connector	Hole	Horz Size	Up ()	Offset
Invert 1	752.32'	330°	15.804"	15" HDPE	17.6"	Hole 20	20"	23.094"	-1.3"	6"
Invert 2	753.32'	180°	21"	15" HDPE	17.6"	Hole 20	20"	20"	10.7"	0"
Invert 3										
Invert 4										
Invert 5										
Invert 6										
Invert 7										
Invert 8										

RIGHT-SIDE UP VIEW (int. dimensions)

UPSIDE-DOWN VIEW (int. dimensions)



INSIDE WALL DIMENSIONS



Coating (Int): Coating (Ext):	Seam Up: Flat Seam Dn: n/a	Wall Thickness: 6" Floor Height: 6"	Height (Int): 36" Height (Ext): 42"	Weight (Net): 3157 lb Volume (Net): 0.81cu.yd
----------------------------------	-------------------------------	--	--	--