

Job Name: 25-2219 KYMEA Center Electrical Manholes
Job Location: Madisonville, KY
Contractor: The State Group Industrial

PC: A. Chambers
 TECH: J. Coppage
 Plant: Beaver Dam



Structure ID: Electrical Manhole 4

Spec: Storm
 Type: BX 8inW, 8inF
 Size: 120" x 120"

Rim: 406.1'
 Invert: 406.1'
 Rim to Invert: 0'

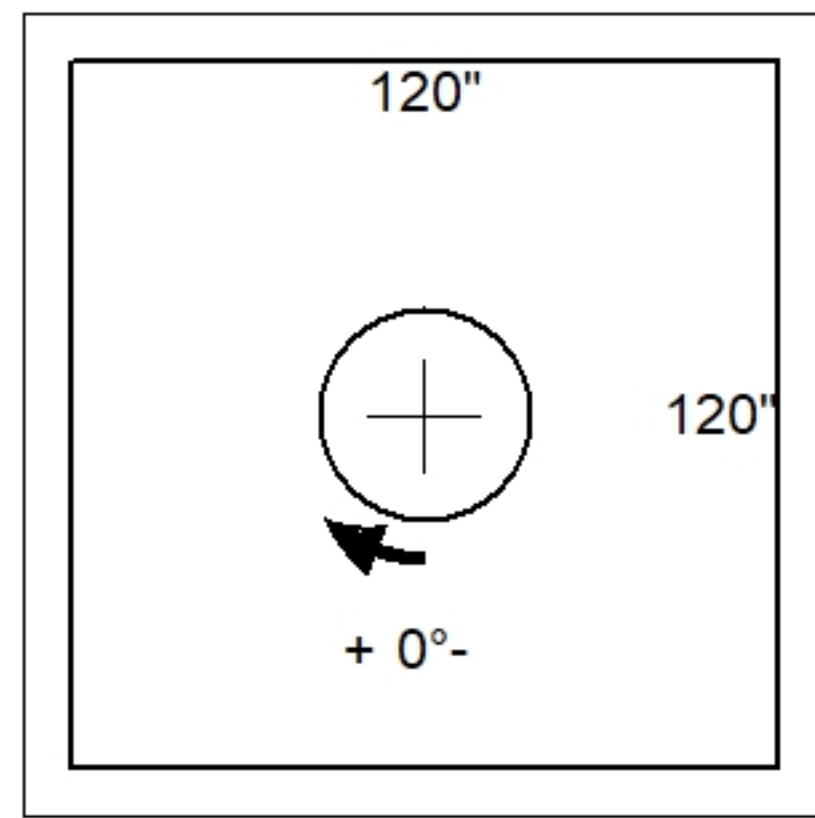
Sump: 133.2"
 Floor (Top): 395'
 Floor Height: 8"

Floor (Bot): 394.333'
 Overall Height: 11.708'
 Slack: 0.7"

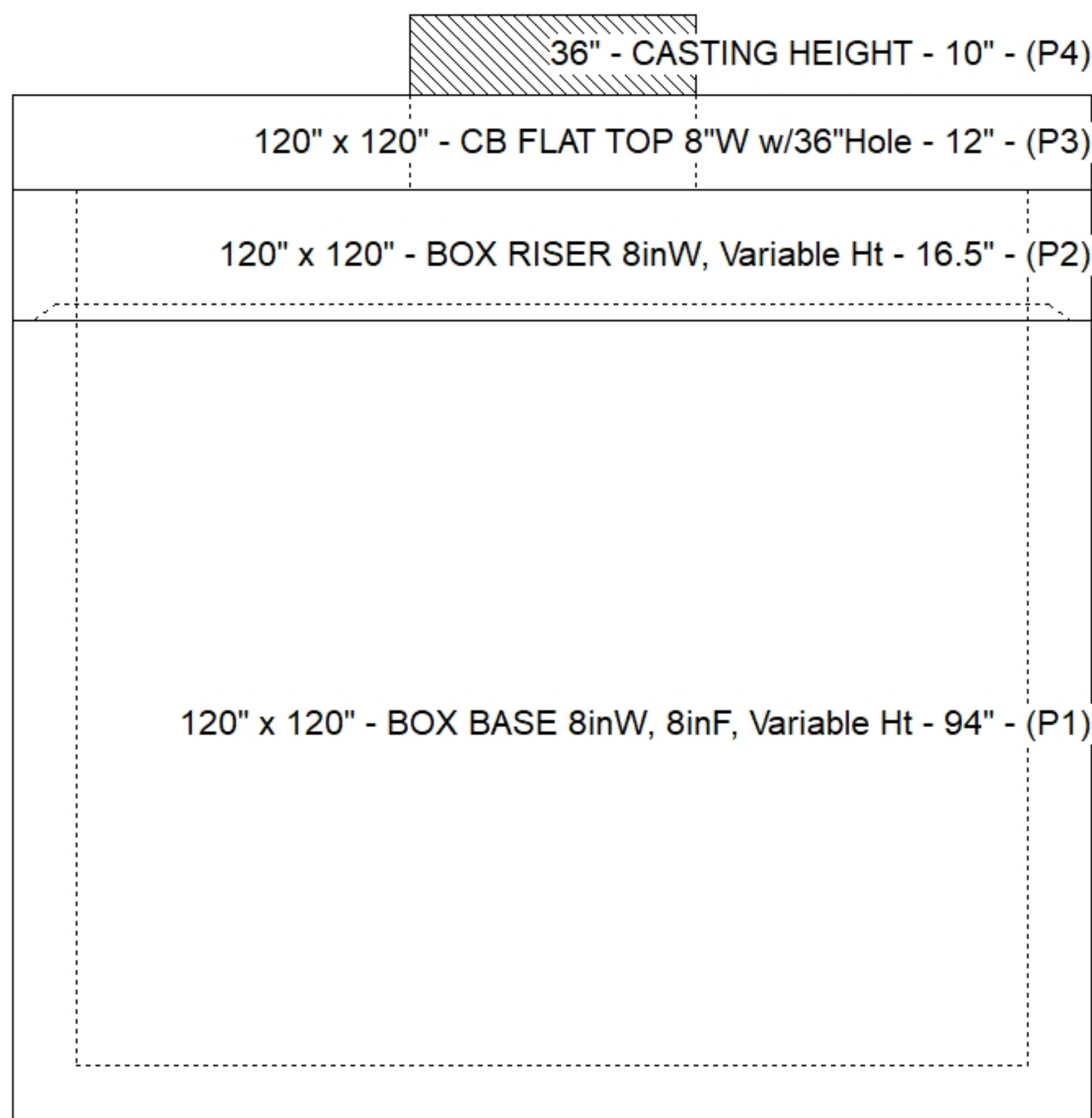
Structure Notes:

STRUCTURE SUMMARY:

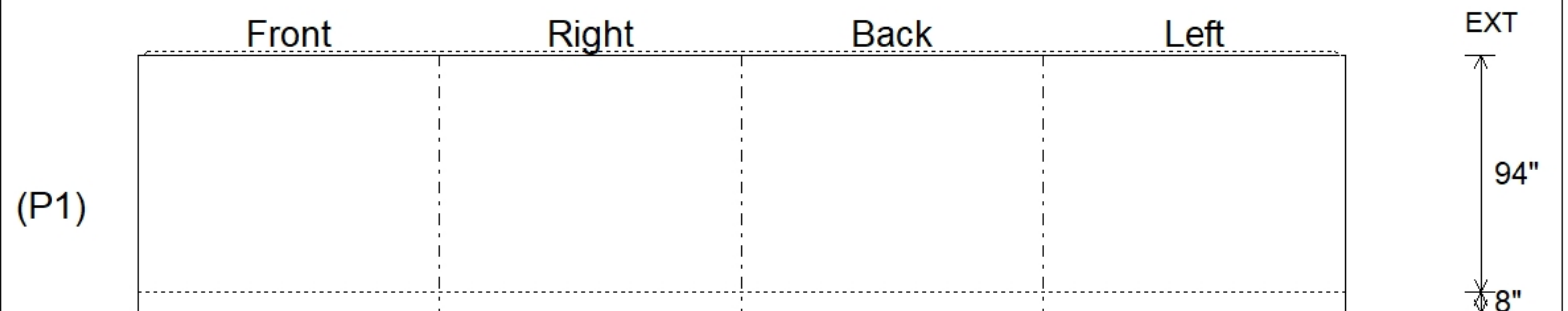
P4)	36" - CASTING HEIGHT - 10"	0 lb
P3)	120" x 120" - CB FLAT TOP 8"W w/36"Hole - 12"	18205 lb
P2)	120" x 120" - BOX RISER 8inW, Variable Ht - 16.5"	5671 lb
P1)	120" x 120" - BOX BASE 8inW, 8inF, Variable Ht - 94"	44724 lb
1)	SUMP DISH	0 lb
7)	PULL IRON - MA IND. PULL IRON 004-570 (9-5/8")	0 lb
7)	PULL IRON POCKET - MA IND. PULL IRON POCKET 004-573	0 lb
1)	LADDER - AIM TWISTED HOOK LADDER 9'-0"	0 lb
1)	STEEL STEP - AIM STD GALV STEEL STEP 36" DIA.	0 lb
1)	SLOPE TO DRAIN - SECONDARY POUR	2415 lb
1)	CASTING - HOE MC-780 F/C ELECTRIC	675 lb
1)	36" - Conseal CS-102 1.00"	0 lb
	621.44 SqFt) CS-55 BLACK ACRYLLIC [EXT]	0 lb
	Structure Total:	71690 lb



Position	Elev	Angle	Pipe	Pipe OD	Hole	Connector	Up ()	Ref
Rim	406.1'							
Reducer								
Invert 1								
Invert 2								
Invert 3								
Invert 4								
Invert 5								
Invert 6								
Invert 7								
Invert 8								



Default - Interior Dimensions



Submittal Drawing
 10/31/2025 8:02:03 AM

SUBMITTAL
 APPROVED BY: