

Job Name: 25-2219 KYMEA Center Electrical Manholes
Job Location: Madisonville, KY
Contractor: The State Group Industrial

PC: A. Chambers
 TECH: J. Coppage
 Plant: Beaver Dam



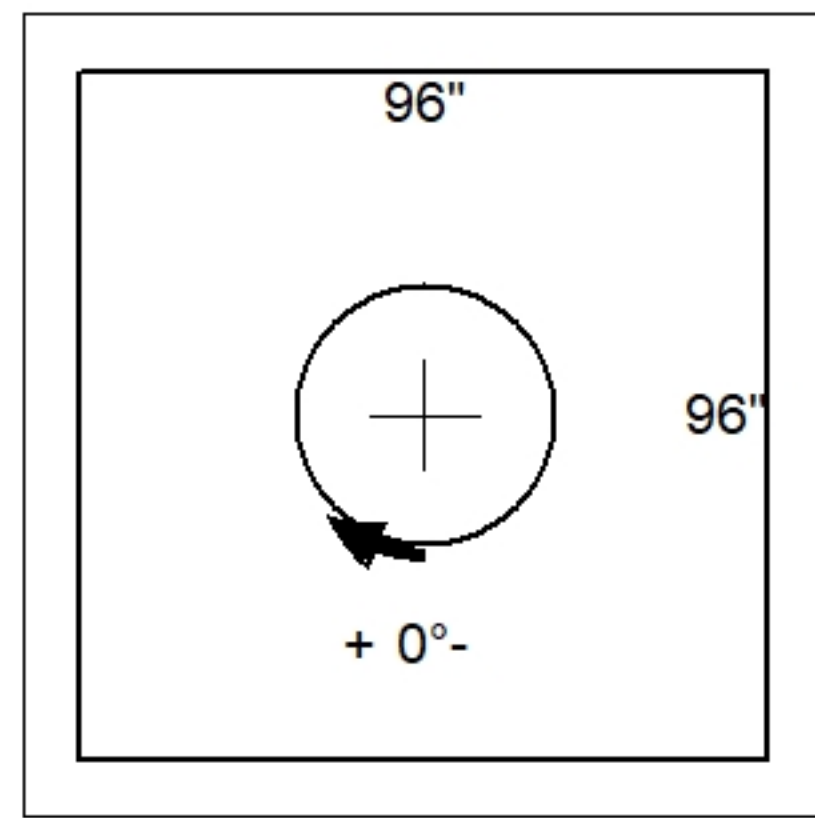
Structure ID: Electrical Manhole 2

Spec: Storm Rim: 406.35' Sump: 108.96" Floor (Bot): 396.603'
 Type: BX 8inW, 8inF Invert: 406.35' Floor (Top): 397.27' Overall Height: 9.75'
 Size: 96" x 96" Rim to Invert: 0" Floor Height: 8" Slack: -0.04"

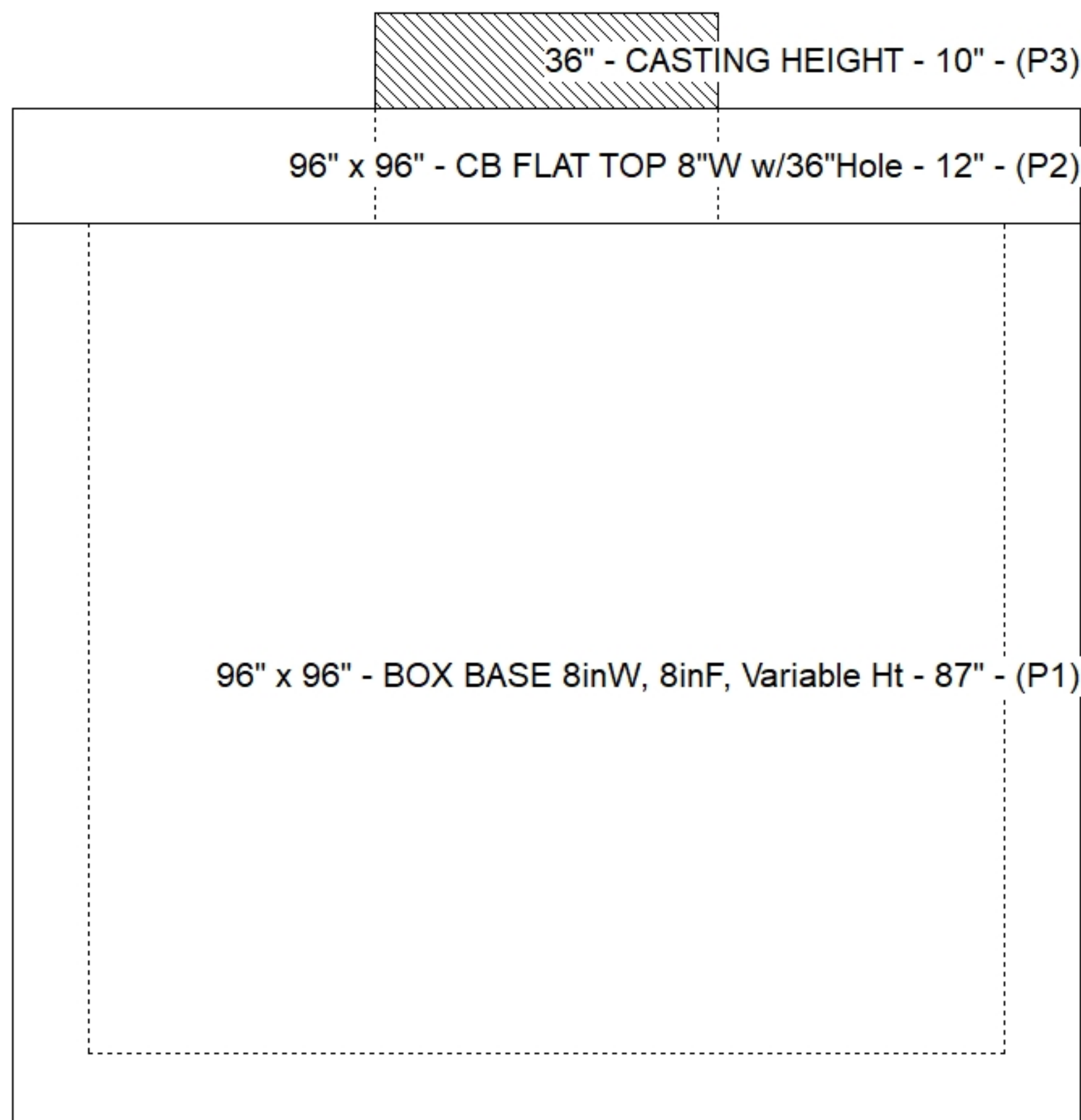
Structure Notes:

STRUCTURE SUMMARY:

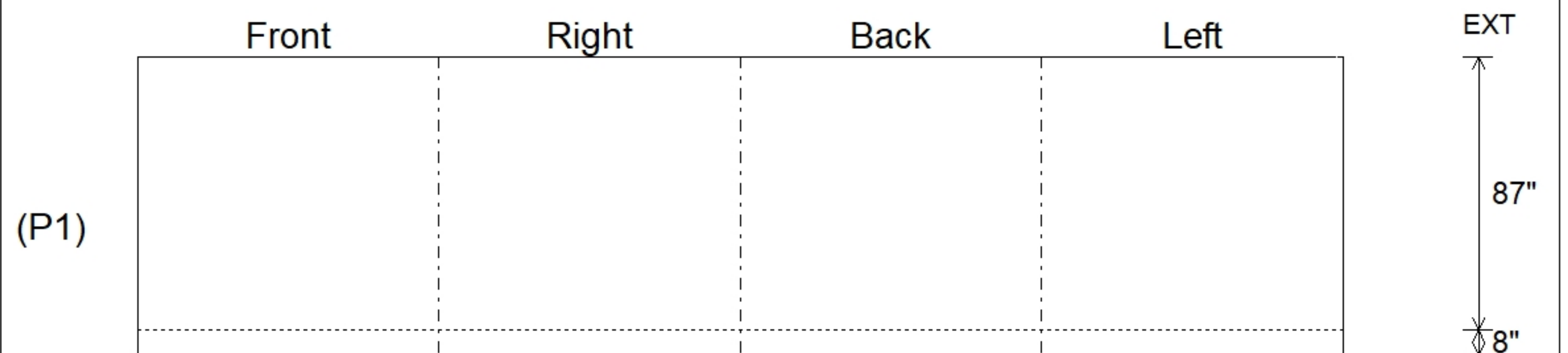
P3) 36" - CASTING HEIGHT - 10"	0 lb
P2) 96" x 96" - CB FLAT TOP 8"W w/36"Hole - 12"	11606 lb
P1) 96" x 96" - BOX BASE 8inW, 8inF, Variable Ht - 87"	32716 lb
1) SUMP DISH	0 lb
8) PULL IRON - MA IND. PULL IRON 004-570 (9-5/8")	0 lb
8) PULL IRON POCKET - MA IND. PULL IRON POCKET 004-573	0 lb
1) LADDER - AIM TWISTED HOOK LADDER 7'-0"	0 lb
1) STEEL STEP - AIM STD GALV STEEL STEP 36" DIA.	0 lb
1) SLOPE TO DRAIN - SECONDARY POUR	1498 lb
1) CASTING - HOE MC-780 F/C ELECTRIC	675 lb
1) 96" x 96" - Conseal CS-102 1.00"	0 lb
1) 36" - Conseal CS-102 1.00"	0 lb
420. SqFt) CS-55 BLACK ACRYLLIC [EXT]	0 lb
Structure Total:	46495 lb



Position	Elev	Angle	Pipe	Pipe OD	Hole	Connector	Up ()	Ref
Rim	406.35'							
Reducer								
Invert 1								
Invert 2								
Invert 3								
Invert 4								
Invert 5								
Invert 6								
Invert 7								
Invert 8								



Default - Interior Dimensions



Submittal Drawing
 10/31/2025 8:02:02 AM

SUBMITTAL
 APPROVED BY: