

**Job Name: 25-2219 KYMEA Center Electrical Manholes**  
**Job Location: Madisonville, KY**  
**Contractor: The State Group Industrial**

PC: A. Chambers  
 TECH: J. Coppage  
 Plant: Beaver Dam



Structure ID: **Electrical Manhole 1**  
 Spec: Storm  
 Type: BX 8inW, 8inF  
 Size: 96" x 96"

Rim: 416.67'  
 Invert: 416.67'  
 Rim to Invert: 0'

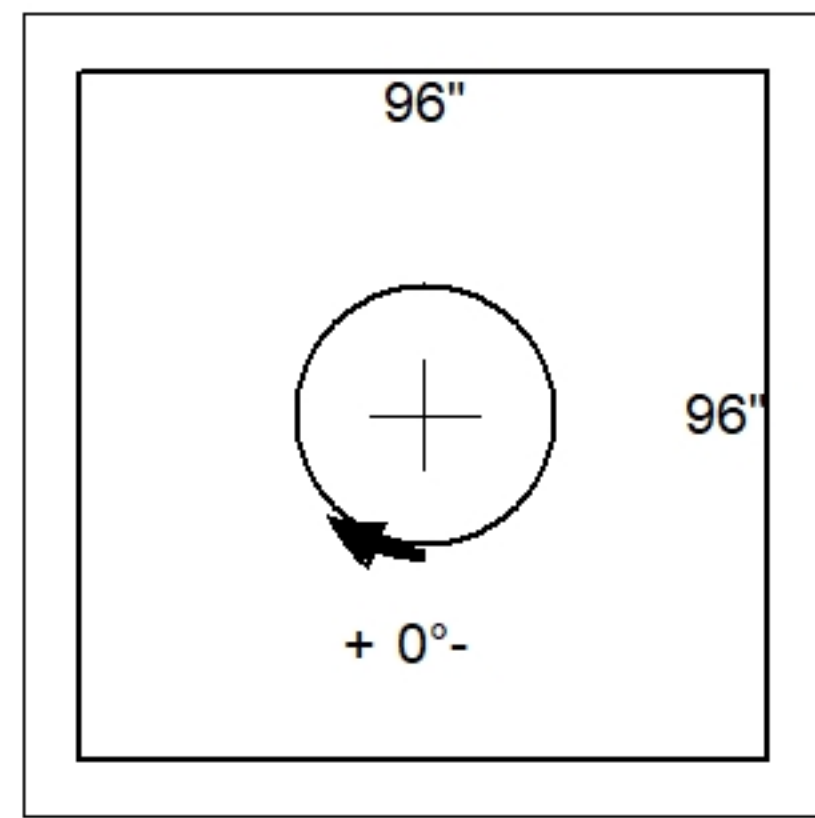
Sump: 116.4"  
 Floor (Top): 406.97'  
 Floor Height: 8"

Floor (Bot): 406.303'  
 Overall Height: 10.333'  
 Slack: 0.4"

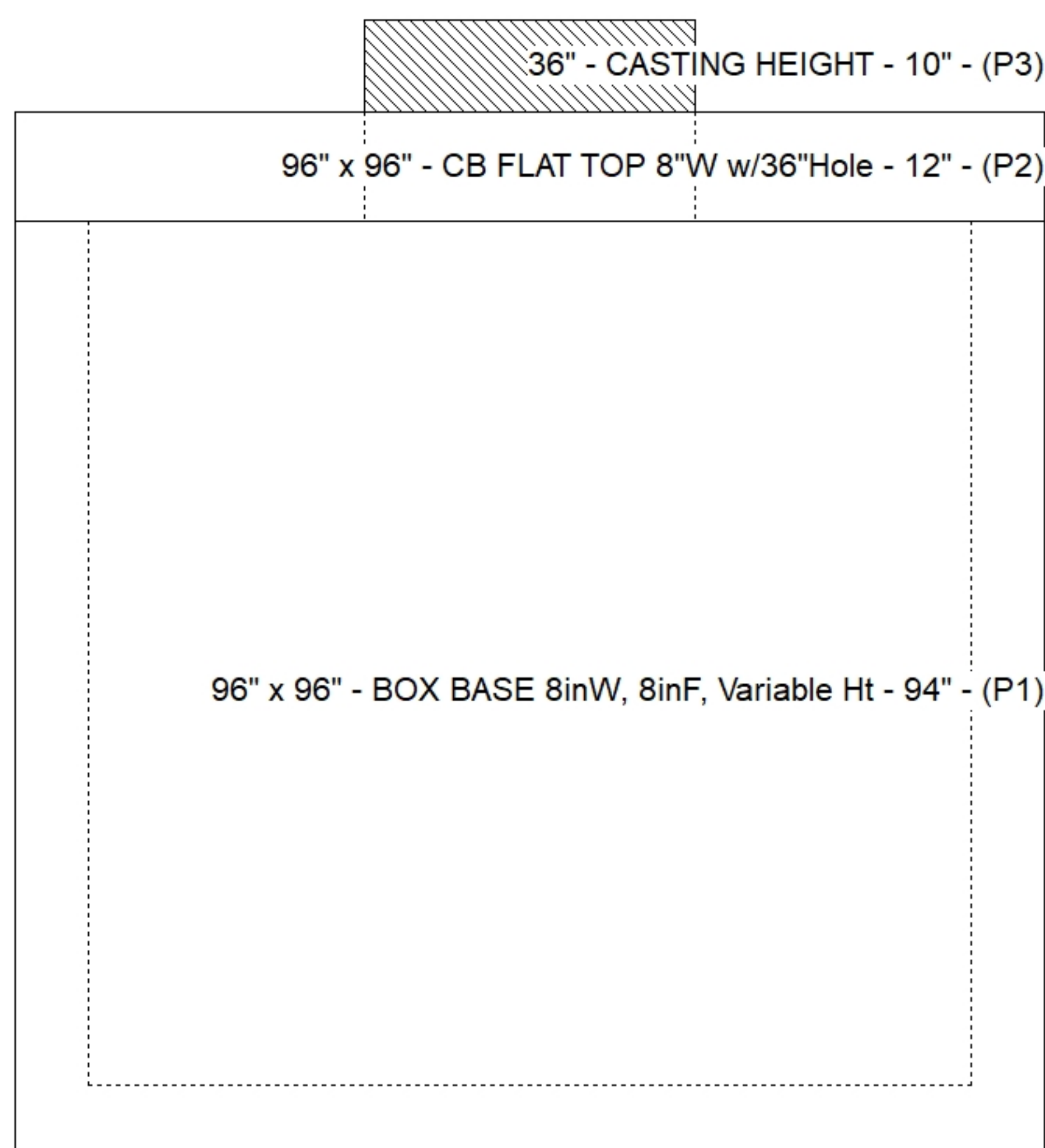
Structure Notes:

STRUCTURE SUMMARY:

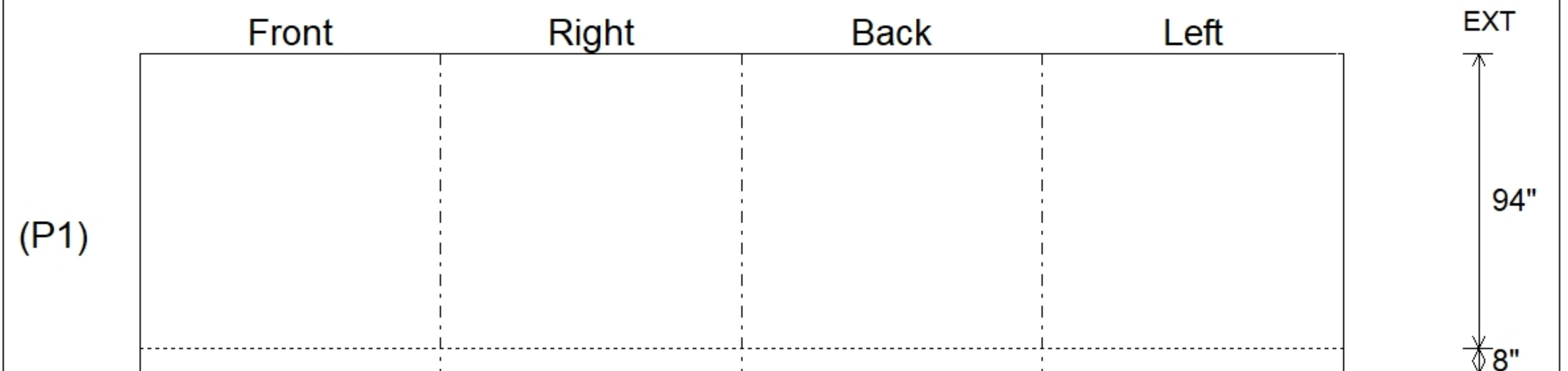
P3)	36" - CASTING HEIGHT - 10"	0 lb
P2)	96" x 96" - CB FLAT TOP 8"W w/36"Hole - 12"	11606 lb
P1)	96" x 96" - BOX BASE 8inW, 8inF, Variable Ht - 94"	34671 lb
1)	SUMP DISH	0 lb
6)	PULL IRON - MA IND. PULL IRON 004-570 (9-5/8")	0 lb
6)	PULL IRON POCKET - MA IND. PULL IRON POCKET 004-573	0 lb
1)	STEEL STEP - AIM STD GALV STEEL STEP 36" DIA.	0 lb
1)	LADDER - AIM TWISTED HOOK LADDER 7'-6"	0 lb
1)	SLOPE TO DRAIN - SECONDARY POUR	1498 lb
1)	CASTING - HOE MC-780 F/C ELECTRIC	675 lb
1)	96" x 96" - Conseal CS-102 1.00"	0 lb
1)	36" - Conseal CS-102 1.00"	0 lb
	441.78 SqFt) CS-55 BLACK ACRYLLIC [EXT]	0 lb
	<b>Structure Total:</b>	<b>48450 lb</b>



Position	Elev	Angle	Pipe	Pipe OD	Hole	Connector	Up ( )	Ref
Rim	416.67'							
Reducer								
Invert 1								
Invert 2								
Invert 3								
Invert 4								
Invert 5								
Invert 6								
Invert 7								
Invert 8								



**Default - Interior Dimensions**



Submittal Drawing  
 10/31/2025 8:02:00 AM

SUBMITTAL  
 APPROVED BY: