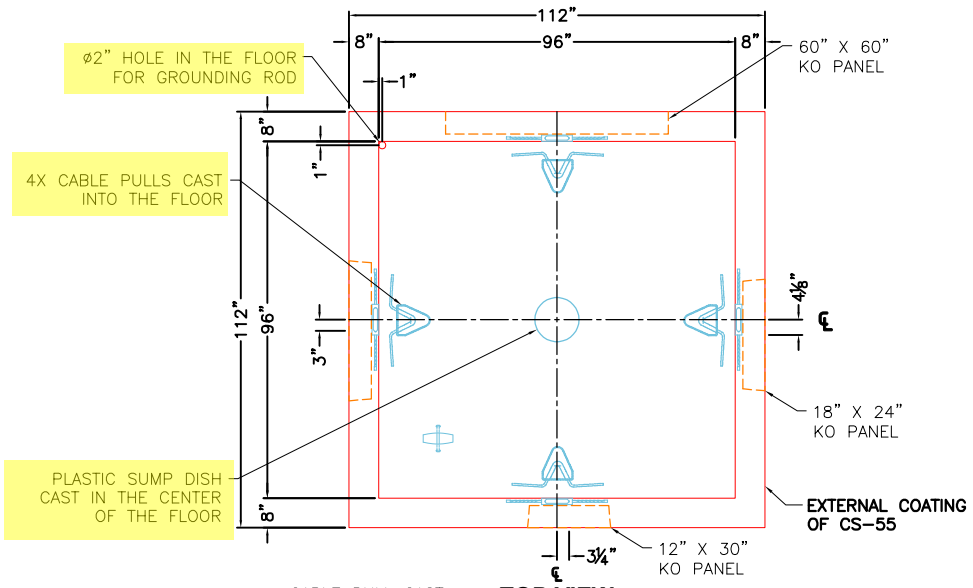
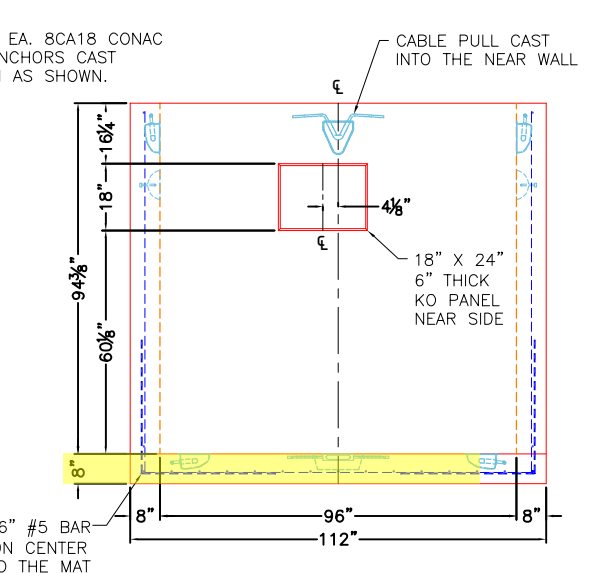
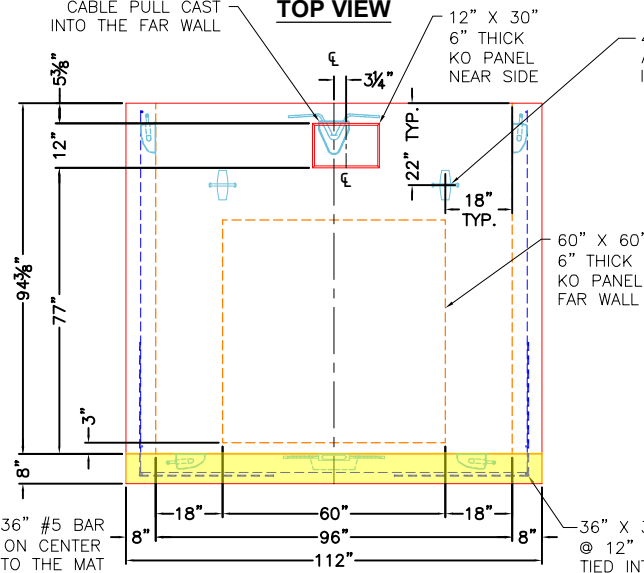
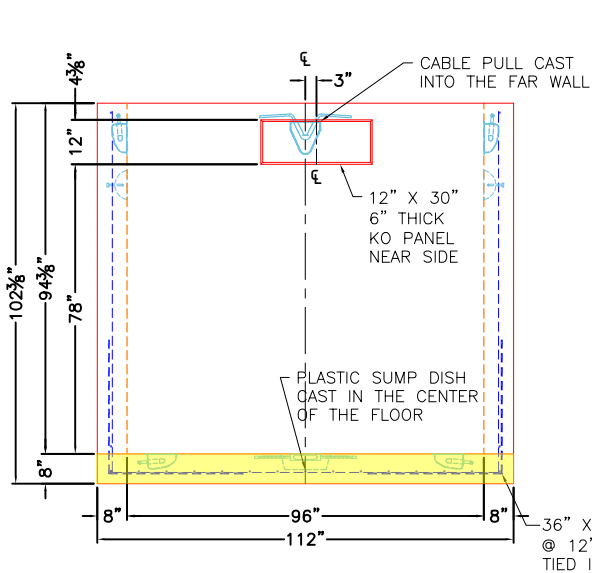


**FIRST POUR DRAWING
FLOOR**



- GENERAL NOTES:**
1. MANUFACTURED TO ASTM C-913 (LATEST REVISION).
 2. CONCRETE: 5,000 PSI AT 28 DAYS.
 3. REINFORCING: PER ASTM A615 (GRADE 60)
WALLS - #5 BAR @ 6" C-C E.W.
FLOOR - #5 BAR @ 10" C-C E.W.
 4. WEIGHT:
FIRST POUR = 8,421 LBS
SECOND POUR = 26,355 LBS
THIRD POUR = 1,498 LBS
TOTAL WEIGHT = 36,274 LBS
 5. CASTING: JR HOE MC-780 PROVIDED BY ICAST.
 6. EXTERNAL COATING OF CS-55 PROVIDED BY ICAST.
 7. 7'-6" AIM TWISTED HOOK LADDER PROVIDED BY ICAST.
 8. FLOOR SLOPE TO DRAIN BY ICAST.
 9. ALL SECTION JOINTS TO BE SEALED W/ CONSEAL CS-102 BUTYL.



LEFT VIEW

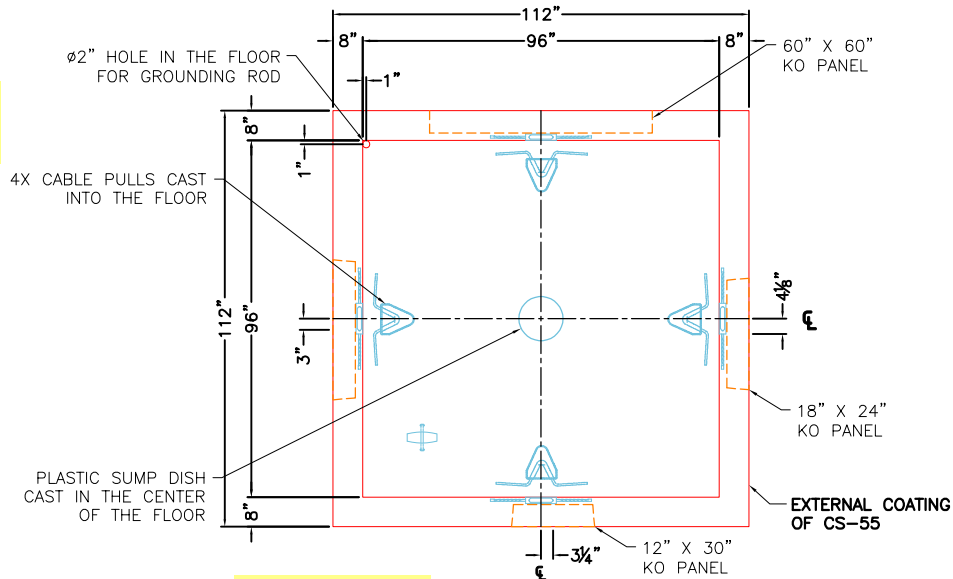
FRONT VIEW

RIGHT VIEW

<p>PRODUCTION WORK ORDER</p>		<p>PRODUCT I.D.: BX9696-08BA-VH</p>	<p>DESCRIPTION: 96" X 96" X 94 3/8" TALL VAULT BASE</p>	
	<p>QUALITY CONTROL CHECKLIST</p> <p><input type="checkbox"/> ALL DIMENSIONS CORRECT.</p> <p><input type="checkbox"/> LIFTERS INSTALLED.</p> <p><input type="checkbox"/> OPENING CENTERED.</p> <p><input type="checkbox"/> REINFORCING CORRECT.</p> <p><input type="checkbox"/> SURFACE QUALITY ACCEPTABLE.</p> <p><input type="checkbox"/> EDGES CHAMFERED.</p> <p><input type="checkbox"/> ALL PATCHWORK ACCEPTABLE.</p>		<p>CUSTOMER: THE STATE GROUP INDUSTRIAL (USA) LIMITED</p>	
	<p>PRODUCT VIEW: RIGHT SIDE UP</p>		<p>PROJECT: KYMEA CENTER ELECTRICAL MANHOLES</p>	
	<p>PLANT: BEAVER DAM, KY.</p>		<p>STRUCTURE: ELECTRICAL MANHOLE 1</p>	
	<p>WEIGHT: 36,274 LBS.</p>		<p>ORDER NO: 25-2219</p>	
	<p>TOP SECTION JOINT: N/A</p>		<p>PC: A. CHAMBERS DRAWING: J. COPPAGE</p>	
<p>BASE SECTION JOINT: N/A</p>		<p>DATE: 10/28/25 SCALE: NTS PG. 1 of 3</p>		
<p>QC CHECK INITIALS:</p>				

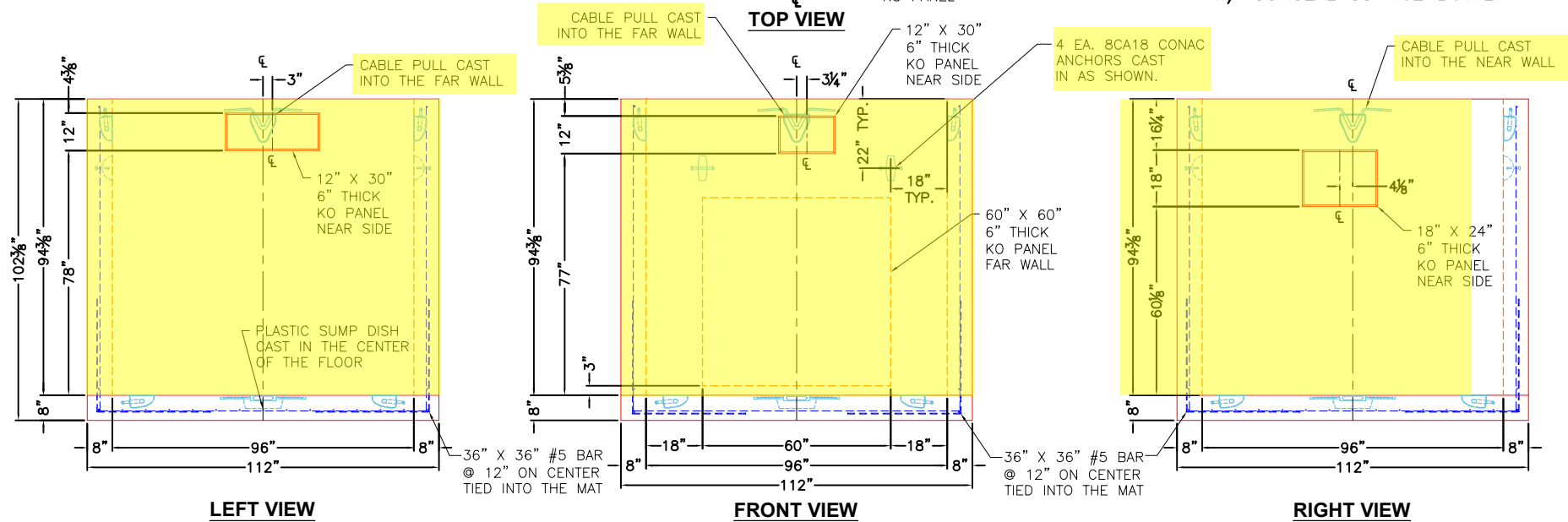
THIS DRAWING IS THE PROPERTY OF INFRASTRUCTURE PRECAST, INC. ANY USE OR DUPLICATION OF THIS DRAWING WITHOUT PRIOR AUTHORIZATION IS STRICTLY PROHIBITED.

SECOND POUR DRAWING WALLS



GENERAL NOTES:

1. MANUFACTURED TO ASTM C-913 (LATEST REVISION).
2. CONCRETE: 5,000 PSI AT 28 DAYS.
3. REINFORCING: PER ASTM A615 (GRADE 60)
WALLS - #5 BAR @ 6" C-C E.W.
FLOOR - #5 BAR @ 10" C-C E.W.
4. WEIGHT:
FIRST POUR = 8,421 LBS
SECOND POUR = 26,355 LBS
THIRD POUR = 1,498 LBS
TOTAL WEIGHT = 36,274 LBS
5. CASTING: JR HOE MC-780 PROVIDED BY ICAST.
6. EXTERNAL COATING OF CS-55 PROVIDED BY ICAST.
7. 7'-6" AIM TWISTED HOOK LADDER PROVIDED BY ICAST.
8. FLOOR SLOPE TO DRAIN BY ICAST.
9. ALL SECTION JOINTS TO BE SEALED W/ CONSEAL CS-102 BUTYL.



PRODUCTION WORK ORDER

PRODUCT I.D.: BX9696-08BA-VH

DESCRIPTION: 96" X 96" X 94 3/8" TALL VAULT BASE



QUALITY CONTROL CHECKLIST

- ALL DIMENSIONS CORRECT.
- LIFTERS INSTALLED.
- OPENING CENTERED.
- REINFORCING CORRECT.
- SURFACE QUALITY ACCEPTABLE.
- EDGES CHAMFERED.
- ALL PATCHWORK ACCEPTABLE.

PRODUCT VIEW: RIGHT SIDE UP

CUSTOMER: THE STATE GROUP INDUSTRIAL (USA) LIMITED

PLANT: BEAVER DAM, KY.

PROJECT: KYMEA CENTER ELECTRICAL MANHOLES

WEIGHT: 36,274 LBS.

STRUCTURE: ELECTRICAL MANHOLE 1

TOP SECTION JOINT: N/A

ORDER NO: 25-2219

BASE SECTION JOINT: N/A

PC: A. CHAMBERS

DRAWING: J. COPPAGE

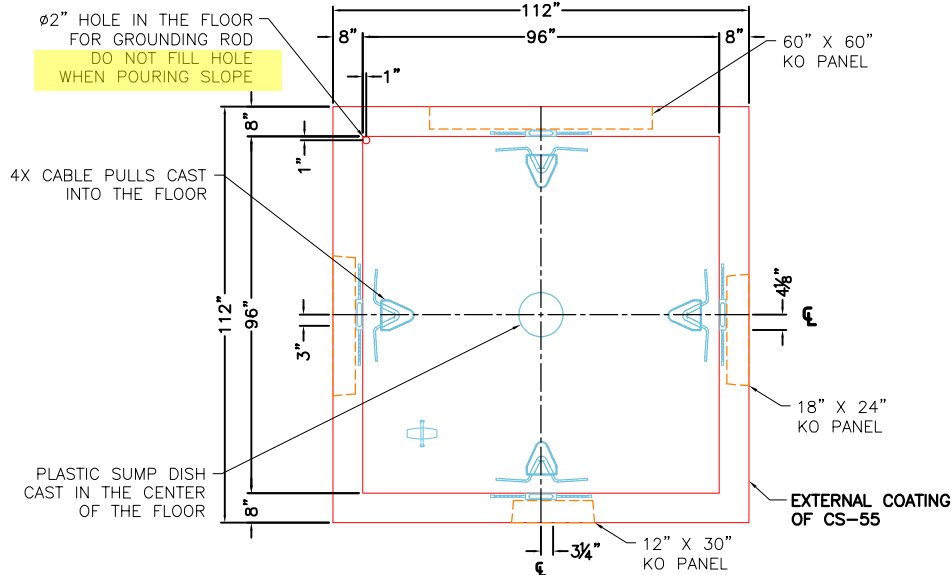
QC CHECK INITIALS:

DATE: 10/28/25

SCALE: NTS

PG. 2 of 3

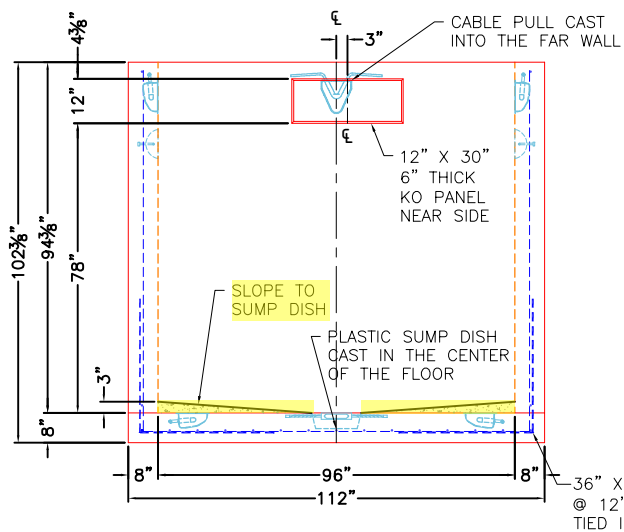
**THIRD POUR DRAWING
SLOPE TO SUMP PAN**



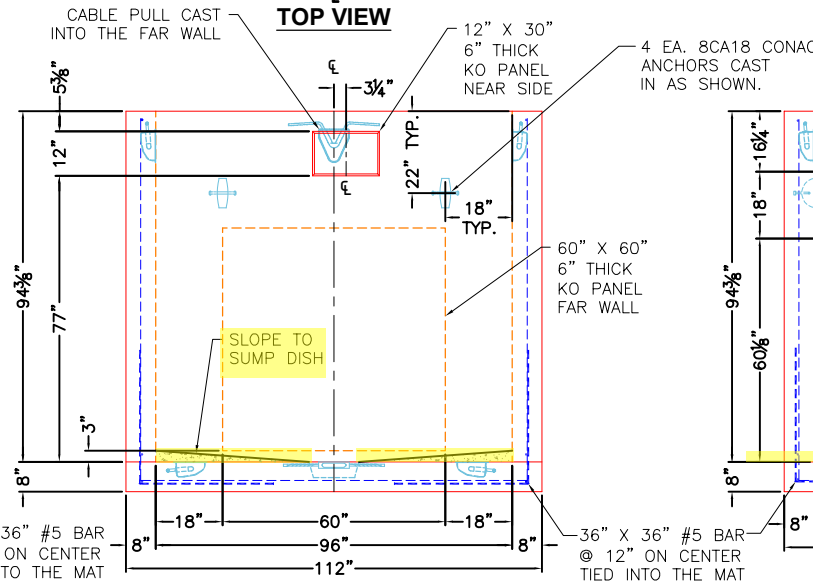
GENERAL NOTES:

1. MANUFACTURED TO ASTM C-913 (LATEST REVISION).
2. CONCRETE: 5,000 PSI AT 28 DAYS.
3. REINFORCING: PER ASTM A615 (GRADE 60)
WALLS - #5 BAR @ 6" C-C E.W.
FLOOR - #5 BAR @ 10" C-C E.W.
4. WEIGHT:
FIRST POUR = 8,421 LBS
SECOND POUR = 26,355 LBS
THIRD POUR = 1,498 LBS
TOTAL WEIGHT = 36,274 LBS
5. CASTING: JR HOE MC-780 PROVIDED BY ICAST.
6. EXTERNAL COATING OF CS-55 PROVIDED BY ICAST.
7. 7'-6" AIM TWISTED HOOK LADDER PROVIDED BY ICAST.
8. FLOOR SLOPE TO DRAIN BY ICAST.
9. ALL SECTION JOINTS TO BE SEALED W/ CONSEAL CS-102 BUTYL.

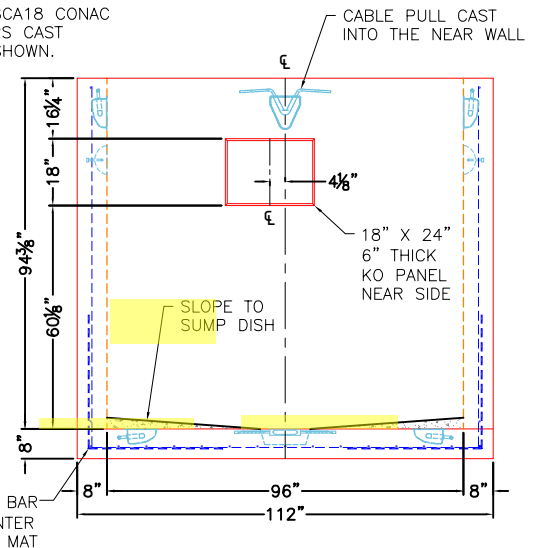
TOP VIEW




LEFT VIEW



FRONT VIEW



RIGHT VIEW

PRODUCTION WORK ORDER		PRODUCT I.D.: BX9696-08BA-VH	DESCRIPTION: 96" X 96" X 94 3/8" TALL VAULT BASE		
	QUALITY CONTROL CHECKLIST	PRODUCT VIEW: RIGHT SIDE UP	CUSTOMER: THE STATE GROUP INDUSTRIAL (USA) LIMITED		
	<input type="checkbox"/> ALL DIMENSIONS CORRECT.	PLANT: BEAVER DAM, KY.	PROJECT: KYMEA CENTER ELECTRICAL MANHOLES		
	<input type="checkbox"/> LIFTERS INSTALLED.	WEIGHT: 36,274 LBS.	STRUCTURE: ELECTRICAL MANHOLE 1		
	<input type="checkbox"/> OPENING CENTERED.	TOP SECTION JOINT: N/A	ORDER NO: 25-2219		
	<input type="checkbox"/> REINFORCING CORRECT.	BASE SECTION JOINT: N/A	PC: A. CHAMBERS	DRAWING: J. COPPAGE	
	<input type="checkbox"/> SURFACE QUALITY ACCEPTABLE.	QC CHECK INITIALS:	DATE: 10/28/25	SCALE: NTS	PG. 3 of 3
<input type="checkbox"/> EDGES CHAMFERED.					
<input type="checkbox"/> ALL PATCHWORK ACCEPTABLE.					