

Job Name: 25-2216 Lock 4 Road Sewer Addition
Job Location: Gallatin, TN
Contractor: Endesol, Inc.

PC: E. Bradley
 TECH: J. Coppage
 Plant: Beaver Dam



Structure ID: Wet Well Top Slab

Spec: Sanitary
 Type: SAN.MH w/ConBlock-CDA Red
 Size: 72"

Rim: 0.833'
 Invert: 0.833'
 Rim to Invert: 0'

Sump: 0"
 Floor (Top): 0"
 Floor Height: 0"

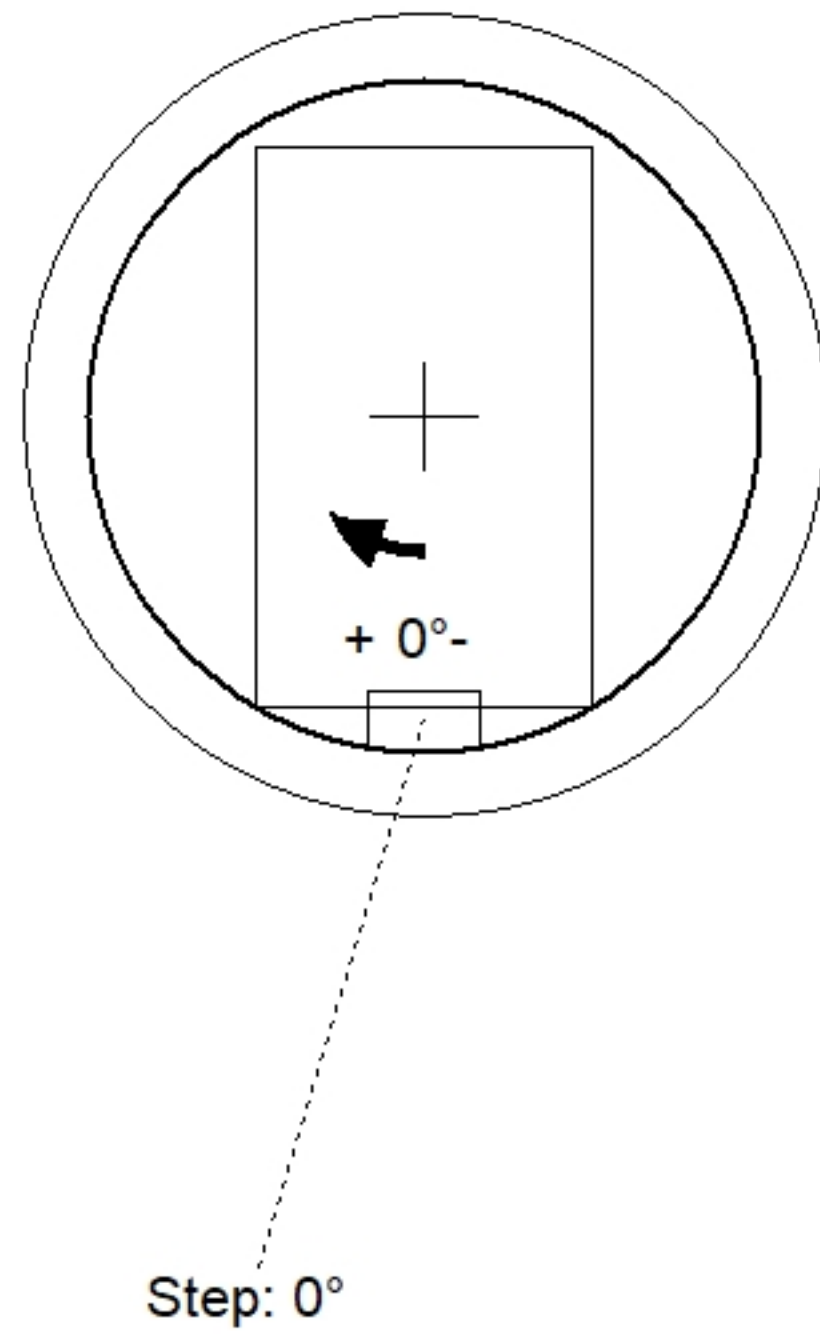
Floor (Bot): 0'
 Overall Height: 0.833'
 Slack: 0"

Structure Notes:

1. PER ASTM C478 SPECIFICATIONS.
2. CONCRETE = 4,000 PSI AT 28 DAYS.
3. REINFORCING PER ASTM A615 (GRADE 60).
 - TOP SLAB (As .31) #5 BARS AT 6" C.C.E.W.
 - RISER/WALLS (As .12)
 - FLOOR (As .37) #5 BARS AT 10" C.C.E.W.

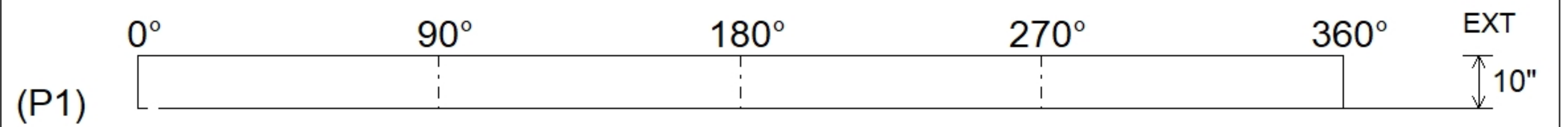
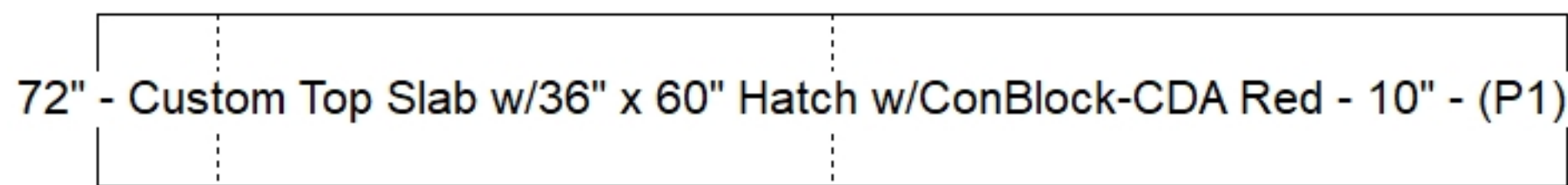
STRUCTURE SUMMARY:

P1) 72" - Custom Top Slab w/36" x 60" Hatch w/ConBlock-CDA Red - 10"	8958 lb
1) JOINT WRAP - 0.065"x6"x50' CONSEAL CS212	0 lb
1) JOINT WRAP PRIMER - CONSEAL CS-75 (1 gal.)	0 lb
1) This Structure Includes a Cast-in Item	0 lb
1) SECONDARY POUR	0 lb
1) 36" x 60" - Conseal CS-102 1.00" (Double)	0 lb
Structure Total:	8958 lb



Position	Elev	Angle	Pipe	Pipe OD	Hole	Connector	Up ()	Ref
Rim	0.833'							
Reducer								
Invert 1								
Invert 2								
Invert 3								
Invert 4								
Invert 5								
Invert 6								
Invert 7								
Invert 8								

Default - Interior Dimensions



Submittal Drawing
 12/1/2025 8:15:52 AM

SUBMITTAL
 APPROVED BY: