

Structure ID: Wet Well

P2 MH072RSVFCDARED

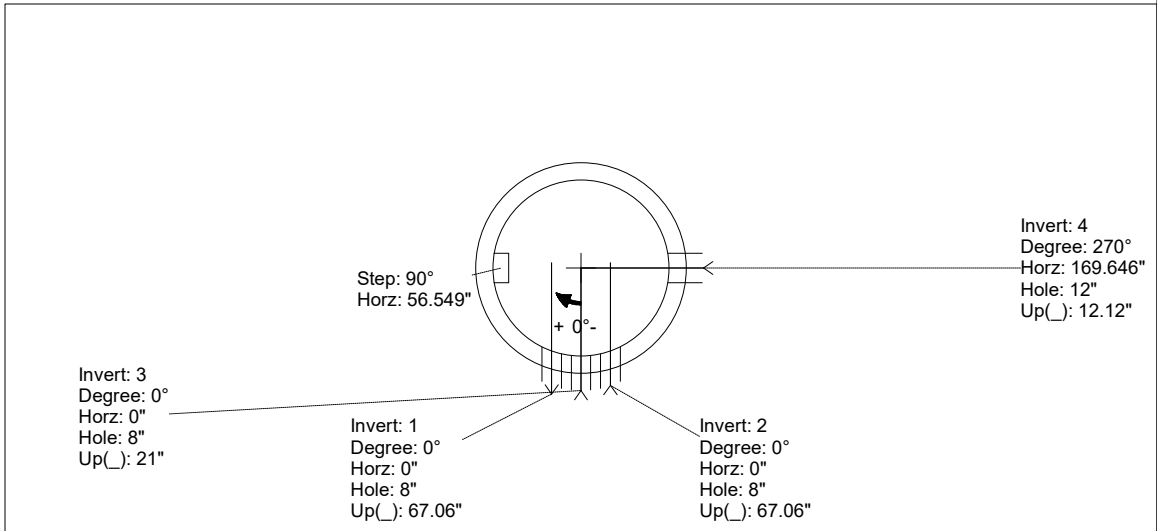
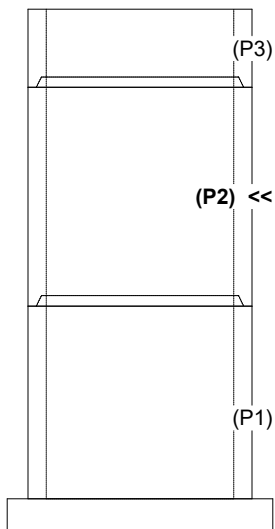
MH RISER Custom Ht, w/ConBlock-CDA Red

P3) 72" - MH RISER Custom Ht, w/ConBlock-CDA Red - 30" P2) 72" - MH RISER Custom Ht, w/ConBlock-CDA Red - 84" P1) 72" - MH BASE EF Cust. Ht. 12"F (8"EF =102"OD) w/ ConBlock CDA RED - 74" 1) JOINT WRAP - 0.065"x6"x50" CONSEAL CS212 1) JOINT WRAP PRIMER - CONSEAL CS-75 (1 gal.) 1) This Structure Includes a Cast-in Item 1) SECONDARY POUR 3) 72" - Conseal CS-102 1.00" (Double) 2) Hole - 8 1) PSX - 8QRS-S NYLO 1) PSX - 12-08 NYLO 11) MH Step ML-10-TDS-NCR - 10"	4373 lb 12087 lb 19016 lb 0 lb 0 lb 0 lb 0 lb 0 lb 0 lb 0 lb 6 lb 8 lb 0 lb ----- Structure Total: 35491 lb	Structure Notes: 1. PER ASTM C478 SPECIFICATIONS. 2. CONCRETE = 4,000 PSI AT 28 DAYS. 3. REINFORCING PER ASTM A615 (GRADE 60). - TOP SLAB (As .31) #5 BARS AT 6" C.C.E.W. - RISER/WALLS (As .12) - FLOOR (As .37) #5 BARS AT 10" C.C.E.W.
---	---	--

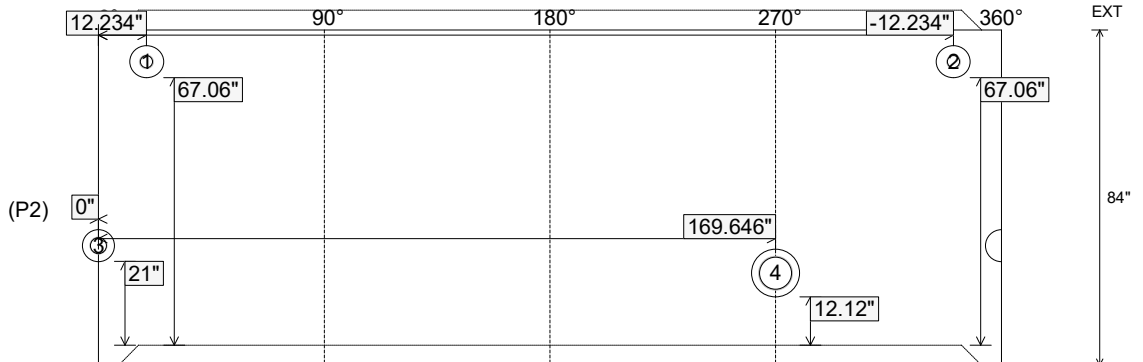
Rim: 452' Rim to Invert: 8.74' Slack: 10" Sump: 93.12" Step Position: 90

Position	Elev	Angle	Ext. (cw)	Pipe	Pipe OD	Connector	Hole	Horz Size	Up ()	Offset
Invert 1	447.88'	0°	12.161"	3" DI	3.5"	Hole 8	8"	8.513"	67.06"	12"
Invert 2	447.88'	0°	-12.161"	3" DI	3.5"	Hole 8	8"	8.513"	67.06"	-12"
Invert 3	444'	0°	0"	4" PVC SDR35	4.25"	PSX 8QRS-S NYLO	8"	8.017"	21"	0"
Invert 4	443.26'	270°	202.633"	8" PVC SDR35	8.5"	PSX 12-08 NYLO	12"	12.056"	12.12"	0"
Invert 5										
Invert 6										
Invert 7										
Invert 8										

RIGHT-SIDE UP VIEW (int. dimensions)



INSIDE WALL DIMENSIONS



Coating (Int): Coating (Ext):	Seam Up: Tongue Seam Dn: Groove	Wall Thickness: 7" Floor Height: 0"	Height (Int): 84" Height (Ext): 84"	Weight (Net): 12087 lb Volume (Net): 3.09cu.yd
----------------------------------	------------------------------------	--	--	---