

**Job Name: 25-2212 City Park Pool and Bathhouse**  
**Job Location: Dawson Springs, KY**  
**Contractor: J&J EXCAVATING**

PC: Erica Bradley  
 TECH: J.Horsley - A  
 Plant: 100



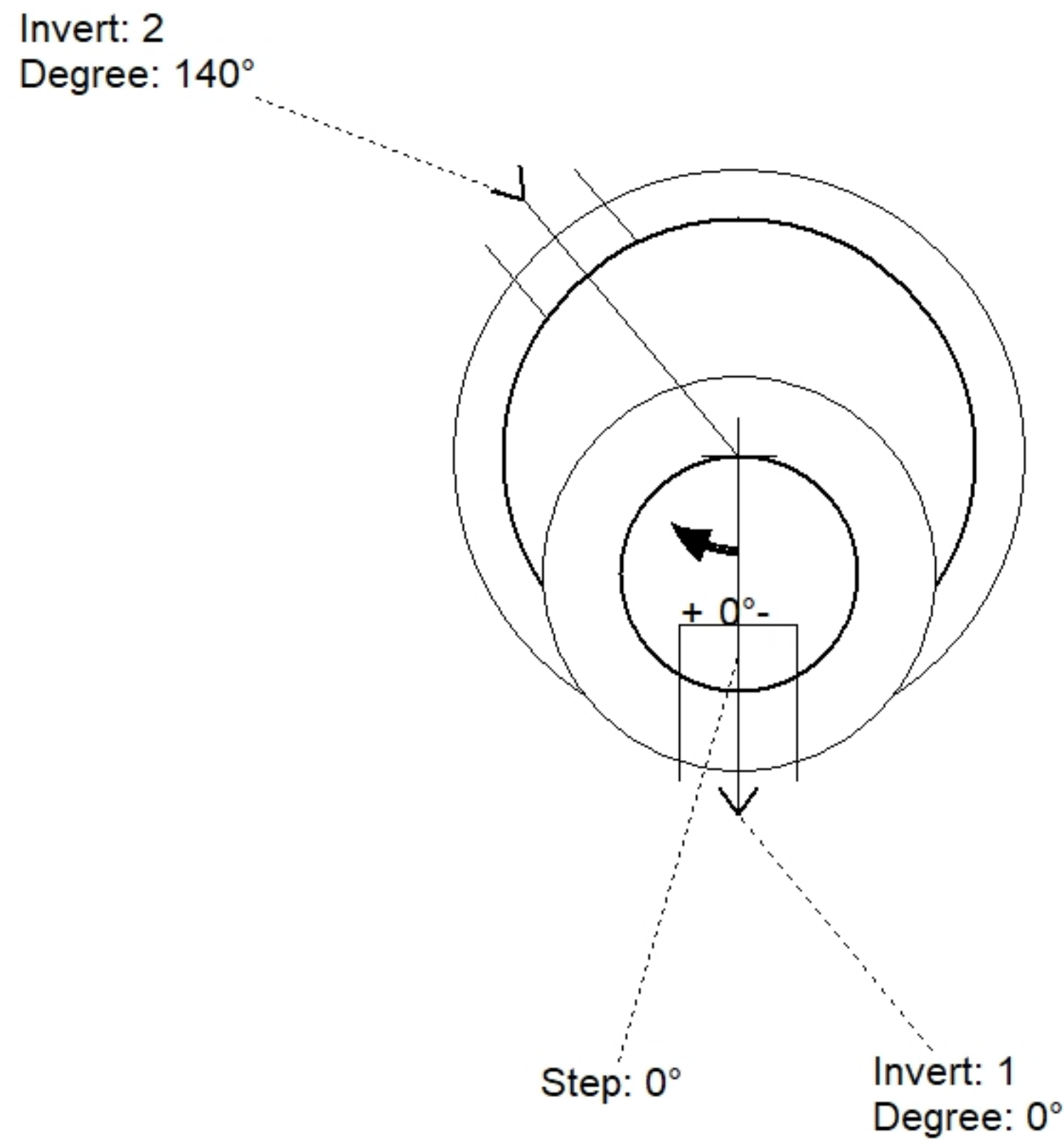
Structure ID: **MH 1**  
 Spec: Sanitary Rim: 415.85'  
 Type: SAN.MH Invert: 409' Sump: 2"  
 Size: 48" Rim to Invert: 6.85' Floor (Top): 408.833'  
 Floor (Bot): 408.333'  
 Overall Height: 7.417'  
 Slack: 1.2"

**Structure Notes:**

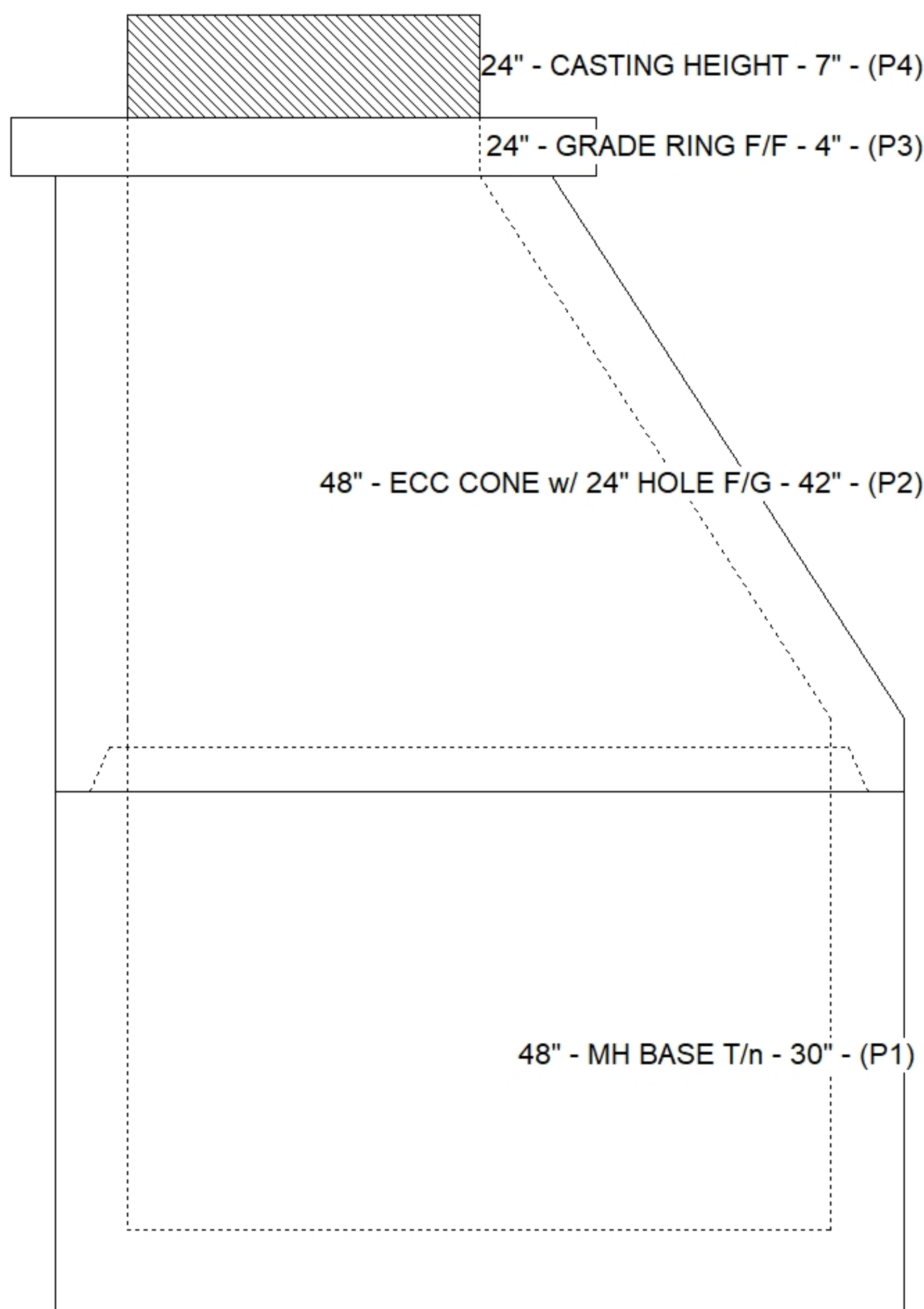
- CASTING: MC-350 "SANITARY" BY ICAST
- PER ASTM C478 SPECIFICATIONS.
- CONCRETE = 4,000 PSI AT 28 DAYS.
- REINFORCING PER ASTM A615 (GRADE 60).  
 - CONE (As .12)  
 - RISER/WALLS (As .12)  
 - FLOOR (As .31) #5 BARS AT 12" C.C.E.W.
- PLEASE VERIFY THE REQUIRED INVERT ELEVATIONS AS THE PLAN VIEW & PROFILE VIEW DIFFER ON PLAN SHEET U-2.2. PROFILE ELEVATIONS ARE SHOWN IN THIS SUBMITTAL.

**STRUCTURE SUMMARY:**

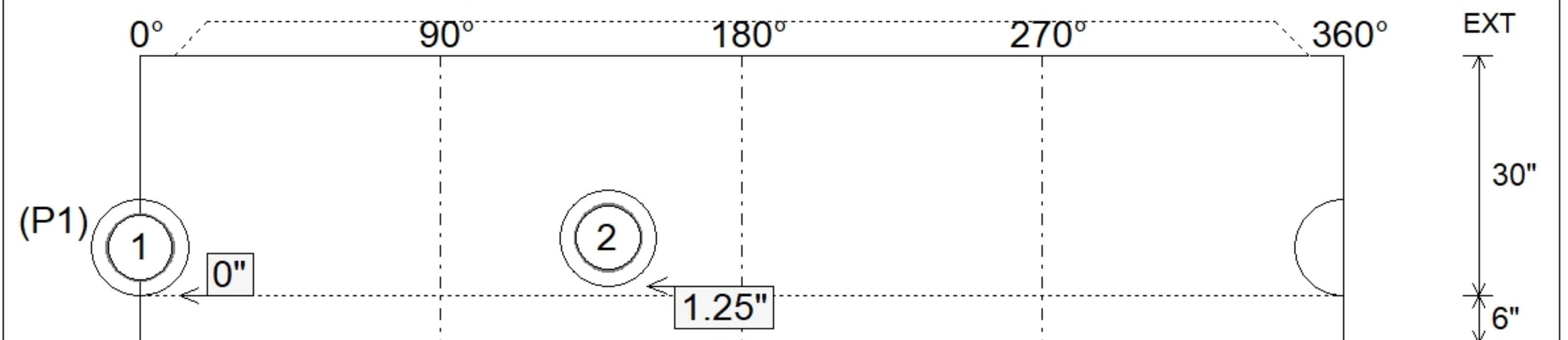
P4) 24" - CASTING HEIGHT - 7"	0 lb
P3) 24" - GRADE RING F/F - 4"	270 lb
P2) 48" - ECC CONE w/ 24" HOLE F/G - 42"	3200 lb
P1) 48" - MH BASE T/n - 30"	3330 lb
1) JOINT WRAP - 0.065"x6"x50' CONSEAL CS212	0 lb
1) JOINT WRAP PRIMER - CONSEAL CS-75 (1 gal.)	0 lb
1) 48" - MH INVERT CHANNEL - FULL HEIGHT	1440 lb
1) Inflow Dish	2 lb
1) CASTING - HOE MC-350 F/C Sanitary	305 lb
1) 48" - Conseal CS-102 1.00" (Double)	0 lb
2) PSX - 12-08 NYLO	16 lb
6) MH Step ML-10-TDS-NCR - 10"	0 lb
<b>Structure Total:</b>	<b>8563 lb</b>



Position	Elev	Angle	Pipe	Pipe OD	Hole	Connector	Up (")	Ref
Rim	415.85'							
Reducer								
Invert 1	409'	0°	8" PVC SDR26	8.5"	12"	PSX 12-08 NYLO	0"	P1
Invert 2	409.1'	140°	8" PVC SDR26	8.5"	12"	PSX 12-08 NYLO	1.25"	P1
Invert 3								
Invert 4								
Invert 5								
Invert 6								
Invert 7								
Invert 8								



**Cast (Int. Dim.) - Interior Dimensions**



Submittal Drawing  
 11/20/2025 6:35:06 PM

SUBMITTAL  
 APPROVED BY: