

Job Name: 25-2212 City Park Pool and Bathhouse
 Job Location: Dawson Springs, KY
 Contractor: J&J EXCAVATING

Plant: 100

11/20/2025 6:32:08 PM

Tech: J.Horsley - A

PC: Erica Bradley



Structure ID: JB

P2 BXLD3636FL-8T8WSP

BX FLAT LID 8inW SPEC. (KY JB-B1) F/F

- P3) 24" - CASTING (cast in) - 4"
- P2) 36" x 36" - BX FLAT LID 8inW SPEC. (KY JB-B1) F/F - 8"
- P1) 36" x 36" - BOX BASE 8inW, 8inF F/n - 36"
- 1) CASTING - HOE KY-206 F/C (KY TY1)
- 1) 36" x 36" - Conseal CS-102 1.00"
- 2) Hole - 24
- 2) Hole - 12

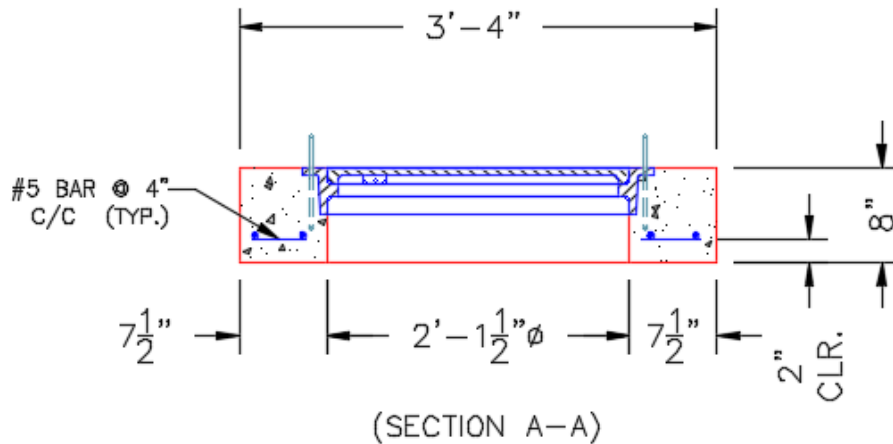
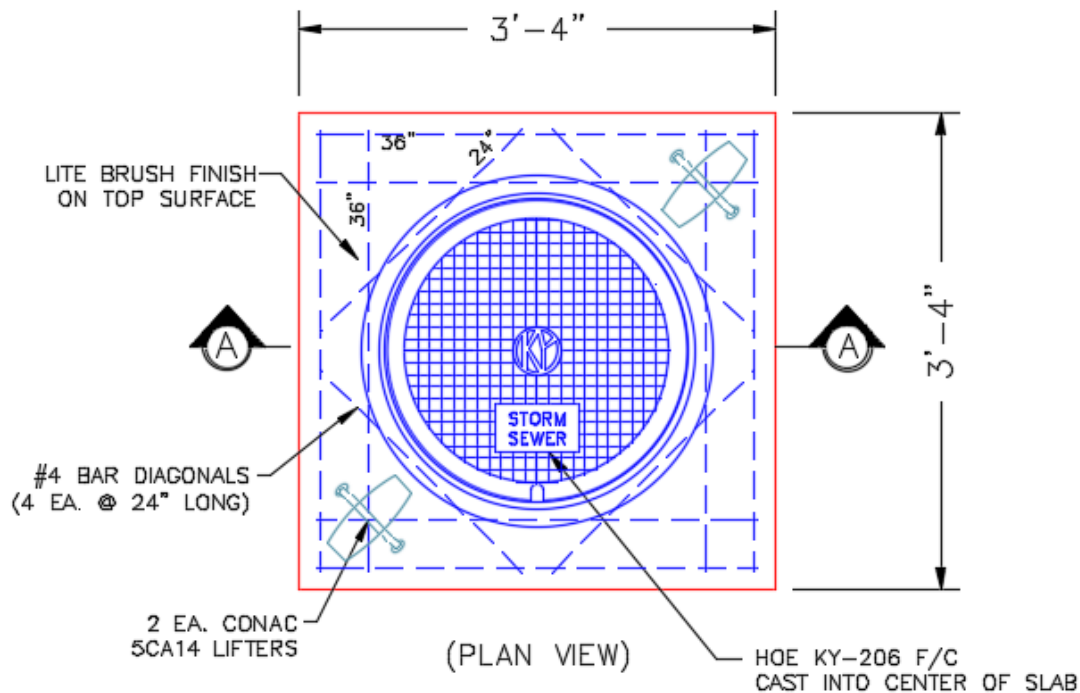
- 0 lb
- 1511 lb
- 5243 lb
- 206 lb
- 0 lb
- 0 lb
- 0 lb
-
- 6960 lb

Structure Total: 6960 lb

Structure Notes:

1. HOE KY-206 F/C PROVIDED BY ICAST.
2. KYTC JUNCTION BOX / PER ASTM C913 SPEC'S.
3. CONCRETE = 4,000 PSI AT 28 DAYS.
4. TOP SLAB w KYTC TYPE 1 F/C CAST FLUSH.
5. REINFORCING PER ASTM A615 (GRADE 60).

- TOP SLAB (As. 62) #5 BARS AT 6" C.C.E.W.
- WALLS (As. 31) #5 BARS AT 12" C.C.E.W.
- FLOOR (As. 31) #5 BARS AT 12" C.C.E.W.



- #5 BAR CUT LIST**
- 8 EA. @ 36" LG.
 - 4 EA. @ 24" LG.

Coating (Int):
 Coating (Ext):

Seam Up: Flat
 Seam Dn: Flat

Wall Thickness: 8"

Height (Ext): 8"

Weight (Net): 1511 lb
 Volume (Net): 0.39cu.yd