

Job Name: 25-2212 City Park Pool and Bathhouse
 Job Location: Dawson Springs, KY
 Contractor: J&J EXCAVATING

Plant: 100
 11/20/2025 6:31:36 PM

Tech: J.Horsley - A
 PC: Erica Bradley



Structure ID: JB

P1 BX3636-08BA36

BOX BASE 8inW, 8inF F/n

P3) 24" - CASTING (cast in) - 4"	0 lb
P2) 36" x 36" - BX FLAT LID 8inW SPEC. (KY JB-B1) F/F - 8"	1511 lb
P1) 36" x 36" - BOX BASE 8inW, 8inF F/n - 36"	5243 lb
1) CASTING - HOE KY-206 F/C (KY TY1)	206 lb
1) 36" x 36" - Conseal CS-102 1.00"	0 lb
2) Hole - 24"	0 lb
2) Hole - 12"	0 lb
Structure Total:	6960 lb

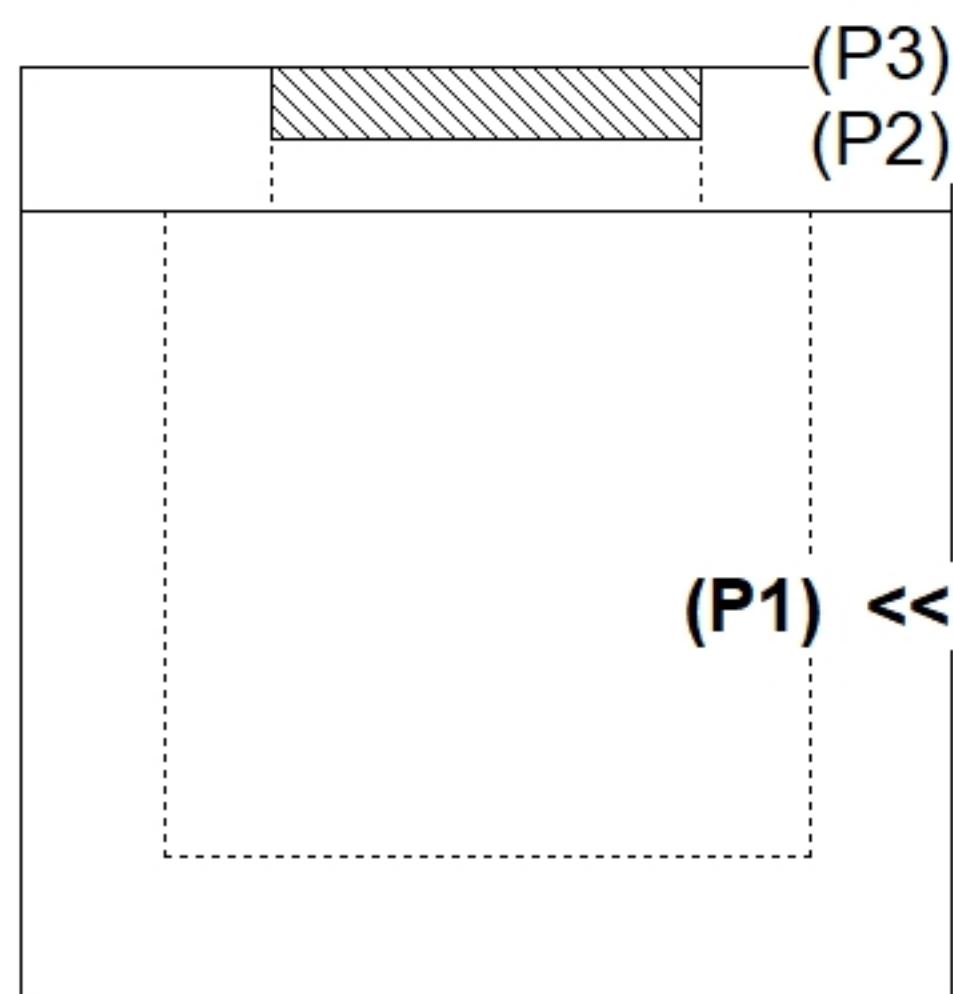
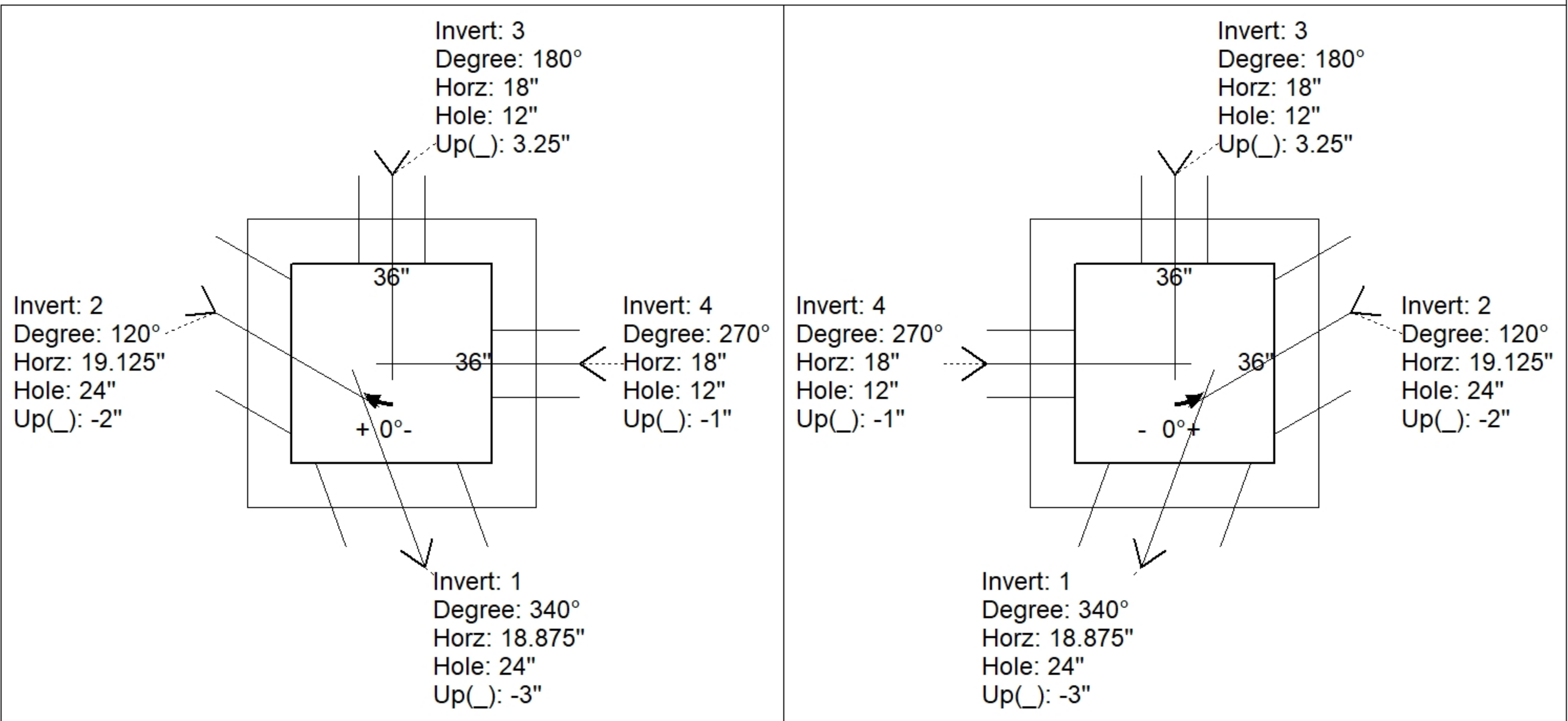
Structure Notes:
 1. HOE KY-206 F/C PROVIDED BY ICAST.
 2. KYTC JUNCTION BOX / PER ASTM C913 SPEC'S.
 3. CONCRETE = 4,000 PSI AT 28 DAYS.
 4. TOP SLAB w KYTC TYPE 1 F/C CAST FLUSH.
 5. REINFORCING PER ASTM A615 (GRADE 60).
 - TOP SLAB (As. 62) #5 BARS AT 6" C.C.E.W.
 - WALLS (As .31) #5 BARS AT 12" C.C.E.W.
 - FLOOR (As .31) #5 BARS AT 12" C.C.E.W.

Rim: 423.75' Rim to Invert: 3.7' Slack: 0.4" Sump: 0" Step Position:

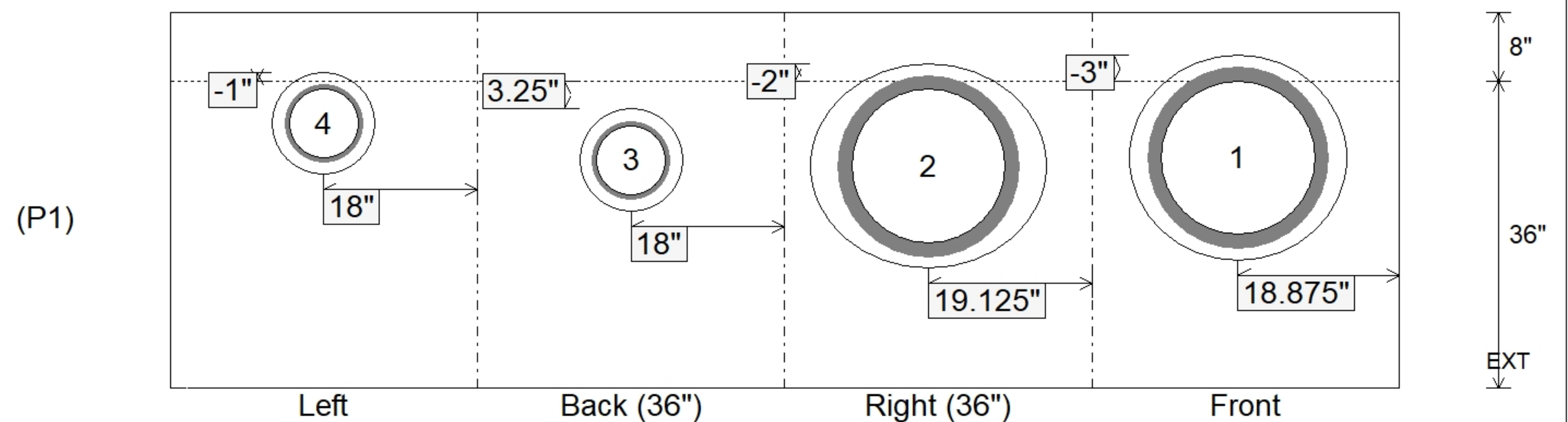
Position	Elev	Angle	Ext. (cw)	Pipe	Pipe OD	Connector	Hole	Horz Size	Up ()	Offset
Invert 1	420.05'	340°	24"	18" HDPE	21.2"	Hole 24	24"	25.54"	-3"	7"
Invert 2	420.13'	120°	31.75"	18" HDPE	21.2"	Hole 24	24"	27.713"	-2"	-8"
Invert 3	420.49'	180°	26"	8" ADS N-12	9.1"	Hole 12	12"	12"	3.25"	0"
Invert 4	420.13'	270°	26"	8" ADS N-12	9.1"	Hole 12	12"	12"	-1"	0"
Invert 5										
Invert 6										
Invert 7										
Invert 8										

RIGHT-SIDE UP VIEW (int. dimensions)

UPSIDE-DOWN VIEW (int. dimensions)



INSIDE WALL DIMENSIONS



Coating (Int):	Seam Up: Flat	Wall Thickness: 8"	Height (Int): 36"	Weight (Net): 5243 lb
Coating (Ext):	Seam Dn: n/a	Floor Height: 8"	Height (Ext): 44"	Volume (Net): 1.34cu.yd