



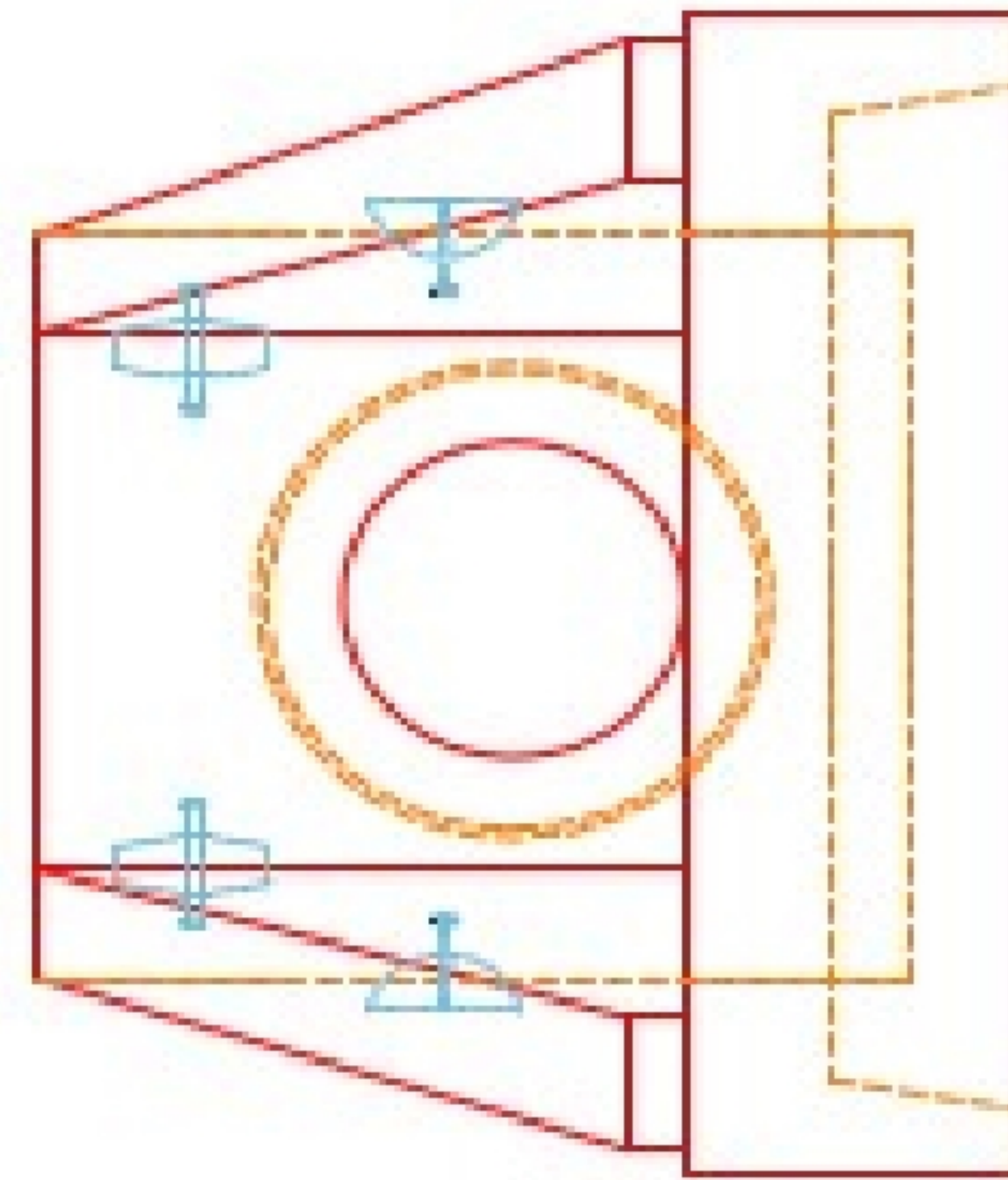
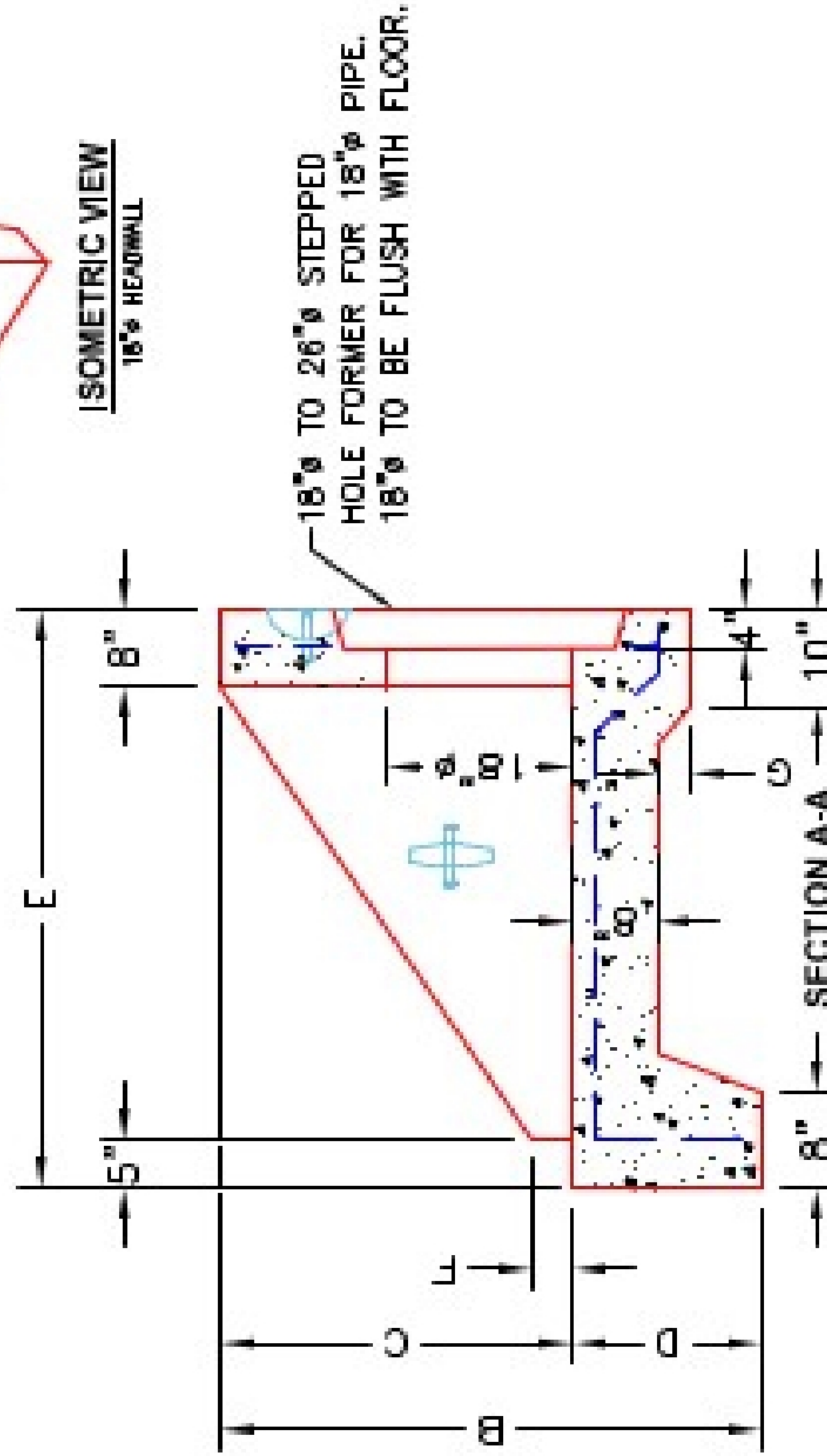
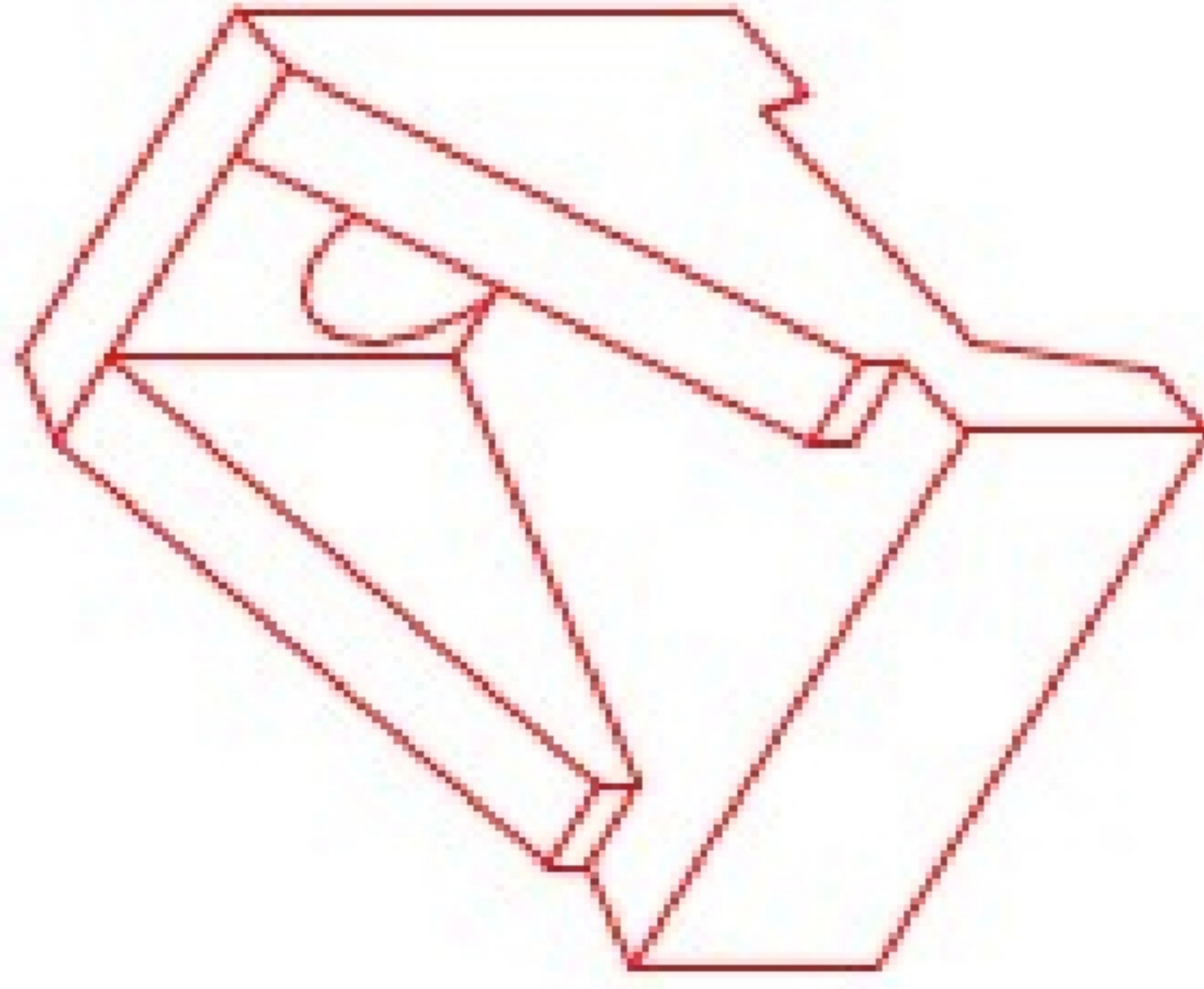
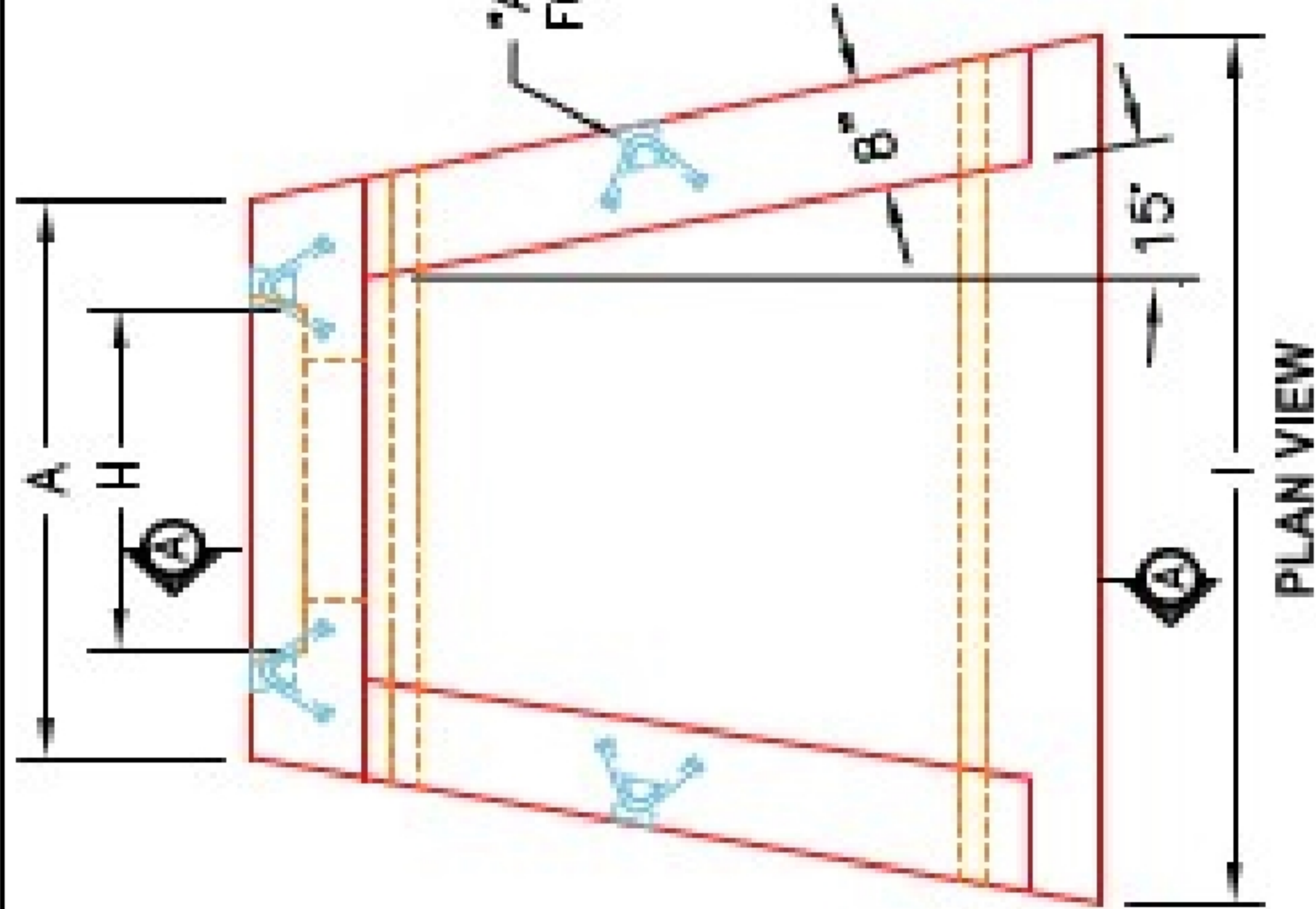
Structure ID: HW-4

P1 HWSF18

18" - SLOPED & FLARED HEADWALL F/F

DIMENSIONS							
PIPE Ø	A	B	C	D	E	F	WEIGHT
18"	3'-0"	3'-8"	2'-3"	1'-6"	4'-6"	4"	3,640 LBS.

"A" ANCHOR LIFTING SYSTEM FOR PLANT & FIELD HANDLING.



NOTES:

1. CONCRETE: 4500 PSI @ 28 DAYS.
2. REINFORCING: #4 BAR @ 12" C/C E.W.-GRADE 60. (WITH 2" CONCRETE COVER MINIMUM)
3. REINFORCING BARS TO BE TACK WELDED OR TIED.
4. DRAWING TO BE USED IN CONJUNCTION WITH KYTC STD. DRAWING RDH-020-03 AND THE STANDARD SPECIFICATIONS FOR ROAD AND BRIDGE CONSTRUCTION.
5. CHAMFER ON ALL EXPOSED EDGES.

PRODUCTION WORK ORDER

- QUALITY CONTROL CHECKLIST
- ALL DIMENSIONS CORRECT.
 - LIFTERS INSTALLED.
 - STEPPED HF CORRECT SIZE.
 - REINFORCING CORRECT.
 - DISSIPATOR BLOCK INSTALLED.
 - EDGES CHAMFERED.
 - ALL PATCHWORK ACCEPTABLE.



DESCRIPTION: KYTC 18" Ø SLOPED & FLARED HEADWALL
CUSTOMER: STOCK
PROJECT: STOCK INVENTORY
STRUCTURE ID.: N/A
QUOTE/SALES ORDER NO: N/A
CHECK: J.H. ROSS, PE
DATE: REV. 4/22/24
SCALE: NTS
PG. 1 of 1

PRODUCT I.D.: HWSF18	PRODUCT VIEW: RIGHT SIDE UP
PLANT: BEAVER DAM, KY.	WEIGHT: 3,640 LBS.
TOP SECTION JOINT: N/A	BASE SECTION JOINT: N/A
QC CHECK INITIALS:	