



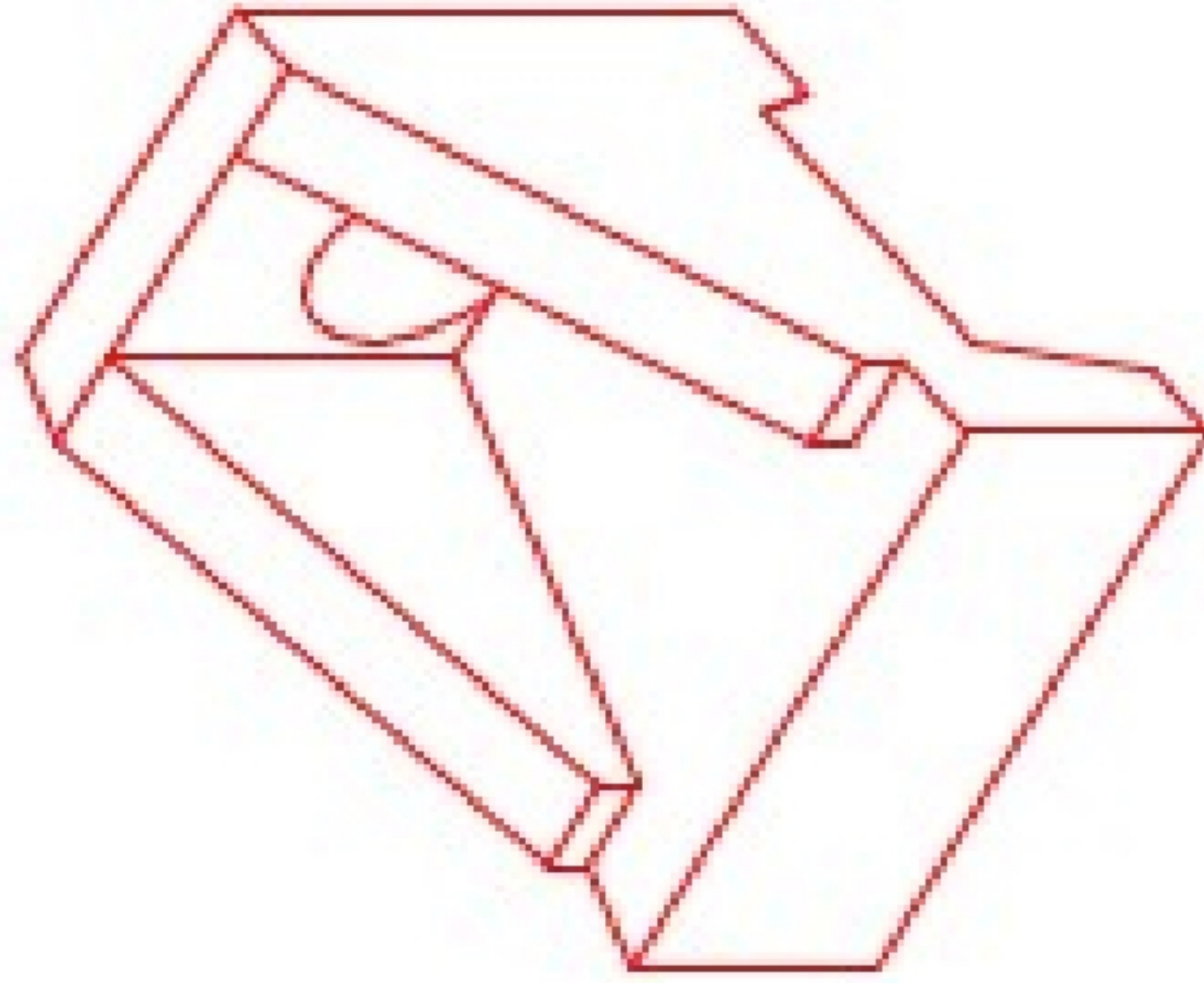
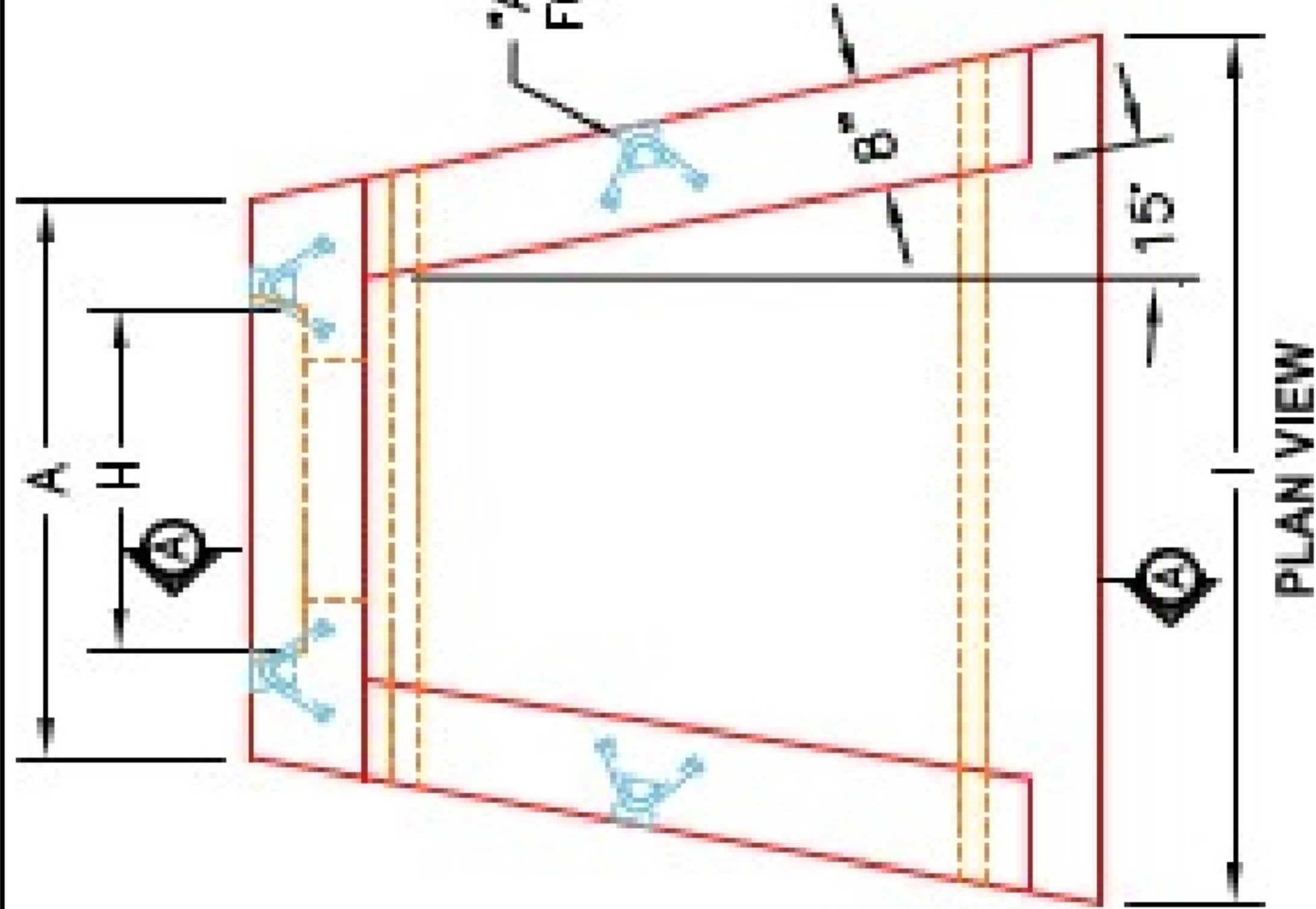
Structure ID: HW-2

P1 HWSF18

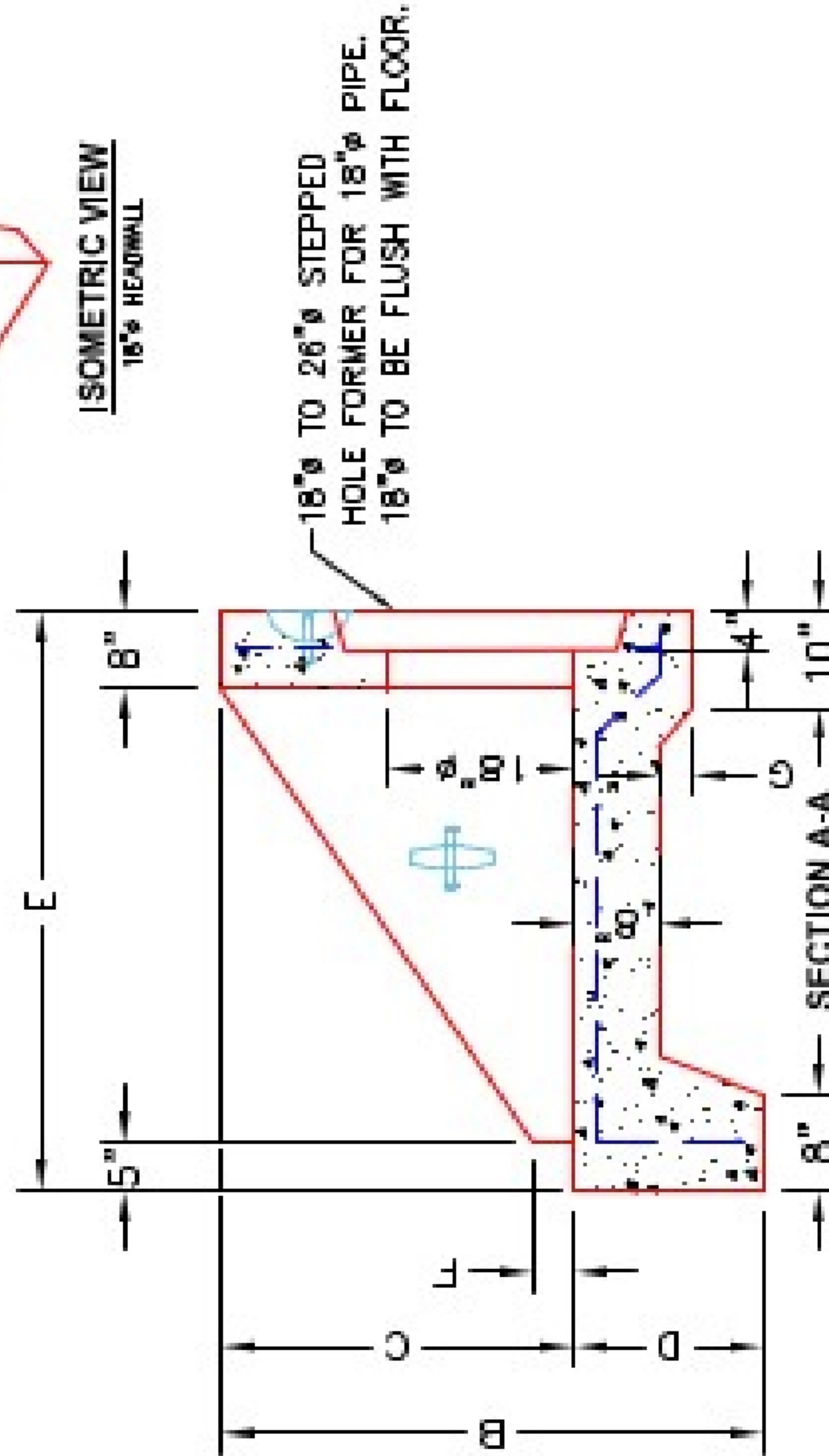
18" - SLOPED & FLARED HEADWALL F/F

DIMENSIONS							
PIPE Ø	A	B	C	D	E	F	WEIGHT
18"	3'-0"	3'-8"	2'-3"	1'-6"	4'-6"	4"	3,640 LBS.

"A" ANCHOR LIFTING SYSTEM FOR PLANT & FIELD HANDLING.

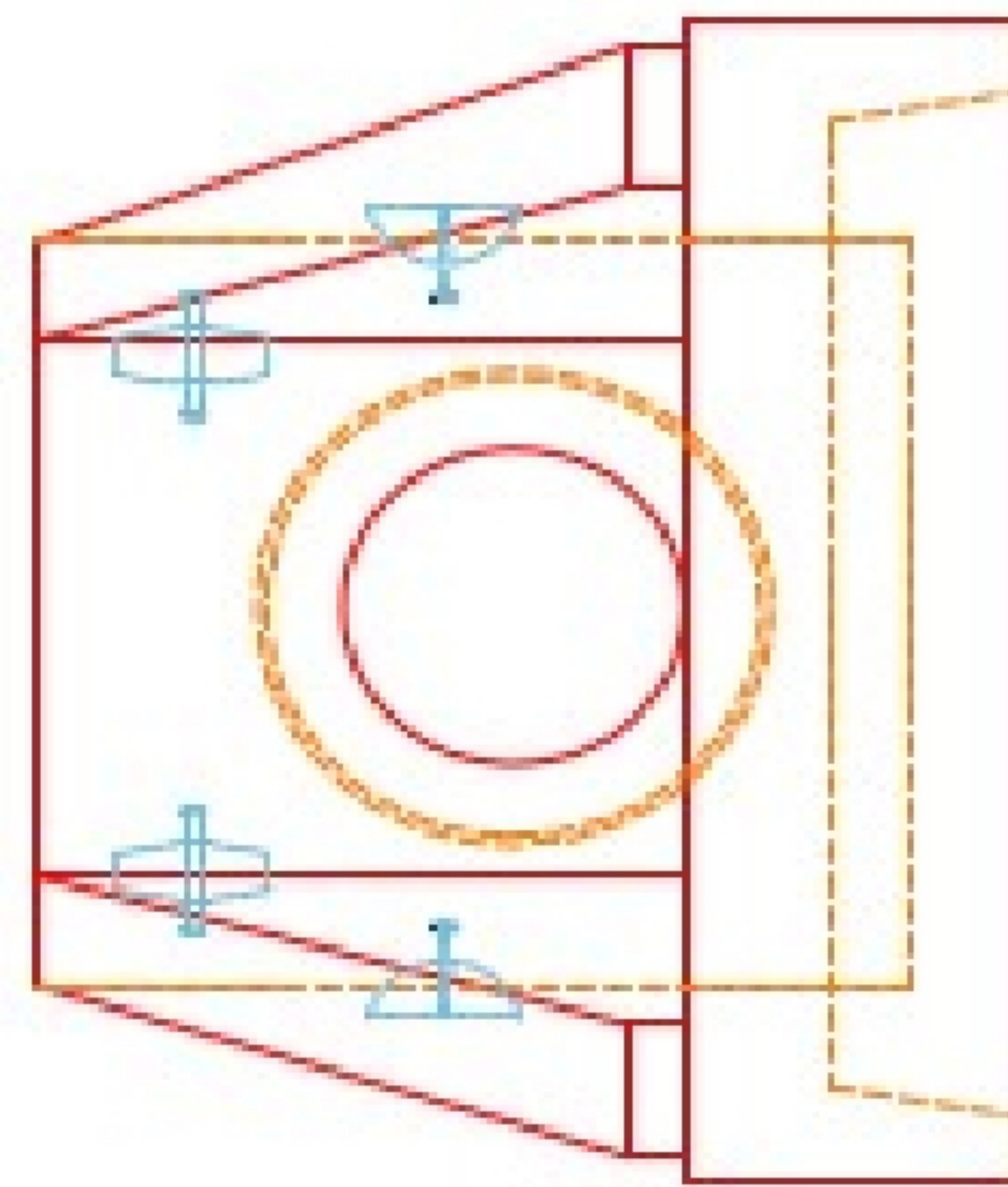


ISOMETRIC VIEW
18" HEADWALL



18" Ø TO 26" Ø STEPPED HOLE FORMER FOR 18" Ø PIPE. 18" Ø TO BE FLUSH WITH FLOOR.

FRONT ELEVATION



- NOTES:**
1. CONCRETE: 4500 PSI @ 28 DAYS.
 2. REINFORCING: #4 BAR @ 12" C/C E.W.-GRADE 60. (WITH 2" CONCRETE COVER MINIMUM)
 3. REINFORCING BARS TO BE TACK WELDED OR TIED.
 4. DRAWING TO BE USED IN CONJUNCTION WITH KYTC STD. DRAWING RDH-020-03 AND THE STANDARD SPECIFICATIONS FOR ROAD AND BRIDGE CONSTRUCTION.
 5. CHAMFER ON ALL EXPOSED EDGES.

PRODUCTION WORK ORDER		PRODUCT I.D.: HWSF18	DESCRIPTION: KYTC 18" Ø SLOPED & FLARED HEADWALL
QUALITY CONTROL CHECKLIST		PRODUCT VIEW: RIGHT SIDE UP	CUSTOMER: STOCK
<input type="checkbox"/> ALL DIMENSIONS CORRECT. <input type="checkbox"/> LIFTERS INSTALLED. <input type="checkbox"/> STEPPED HF CORRECT SIZE. <input type="checkbox"/> REINFORCING CORRECT. <input type="checkbox"/> DISSIPATOR BLOCK INSTALLED. <input type="checkbox"/> EDGES CHAMFERED. <input type="checkbox"/> ALL PATCHWORK ACCEPTABLE.		PLANT: BEAVER DAM, KY.	PROJECT: STOCK INVENTORY
		WEIGHT: 3,640 LBS.	STRUCTURE ID.: N/A
		TOP SECTION JOINT: N/A	QUOTE/SALES ORDER NO: N/A
		BASE SECTION JOINT: N/A	CHECK: J.H. ROSS, PE
		QC CHECK INITIALS:	DRAWING: N. RICHARDS
			DATE: REV. 4/22/24
			SCALE: NTS
			PG. 1 of 1

