

Job Name: 25-2212 City Park Pool and Bathhouse
Job Location: Dawson Springs, KY
Contractor: J&J EXCAVATING

PC: Erica Bradley
 TECH: J.Horsley - A
 Plant: 100



Structure ID: B
 Spec: KYTC
 Type: CBI TYPE F
 Size: 24" x 24"

Rim: 421.43'
 Invert: 413.5'
 Rim to Invert: 7.93'

Sump: 0"
 Floor (Top): 413.5'
 Floor Height: 8"

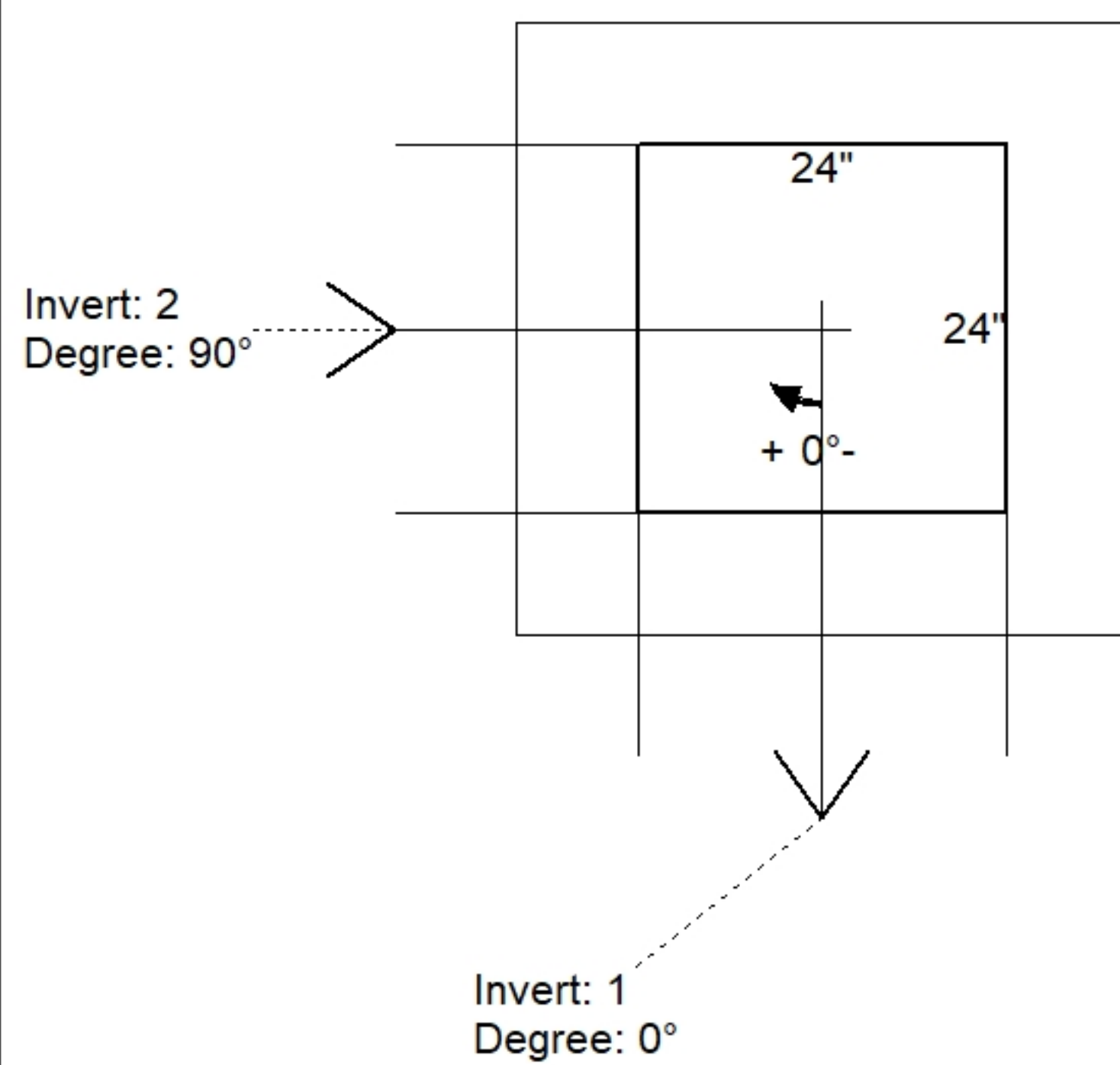
Floor (Bot): 412.833'
 Overall Height: 8.583'
 Slack: 0.16"

Structure Notes:
 1. KYTC CBI TYPE F / ASTM C913 SPECIFICATIONS.
 2. CONCRETE = 4,000 PSI AT 28 DAYS.
 3. NO INVERT CHANNEL.
 4. NO STEPS.
 5. CASTING BY ICAST HOE KY-465.

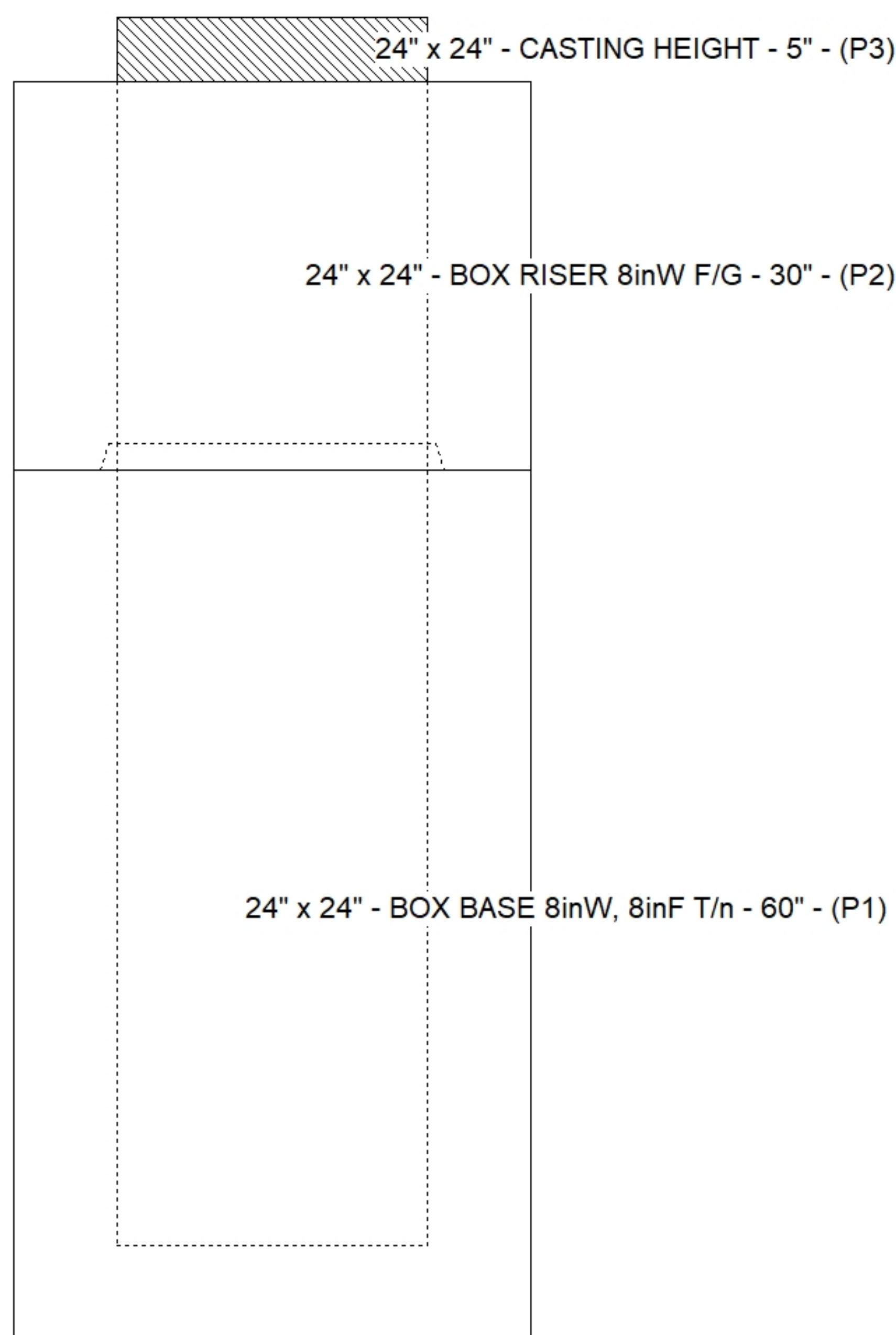
REINFORCING PER ASTM A615 (GRADE 60).
 - WALLS (As .31) #5 BARS AT 12" C.C.E.W.
 - FLOOR (As .31) #5 BARS AT 12" C.C.E.W.

STRUCTURE SUMMARY:

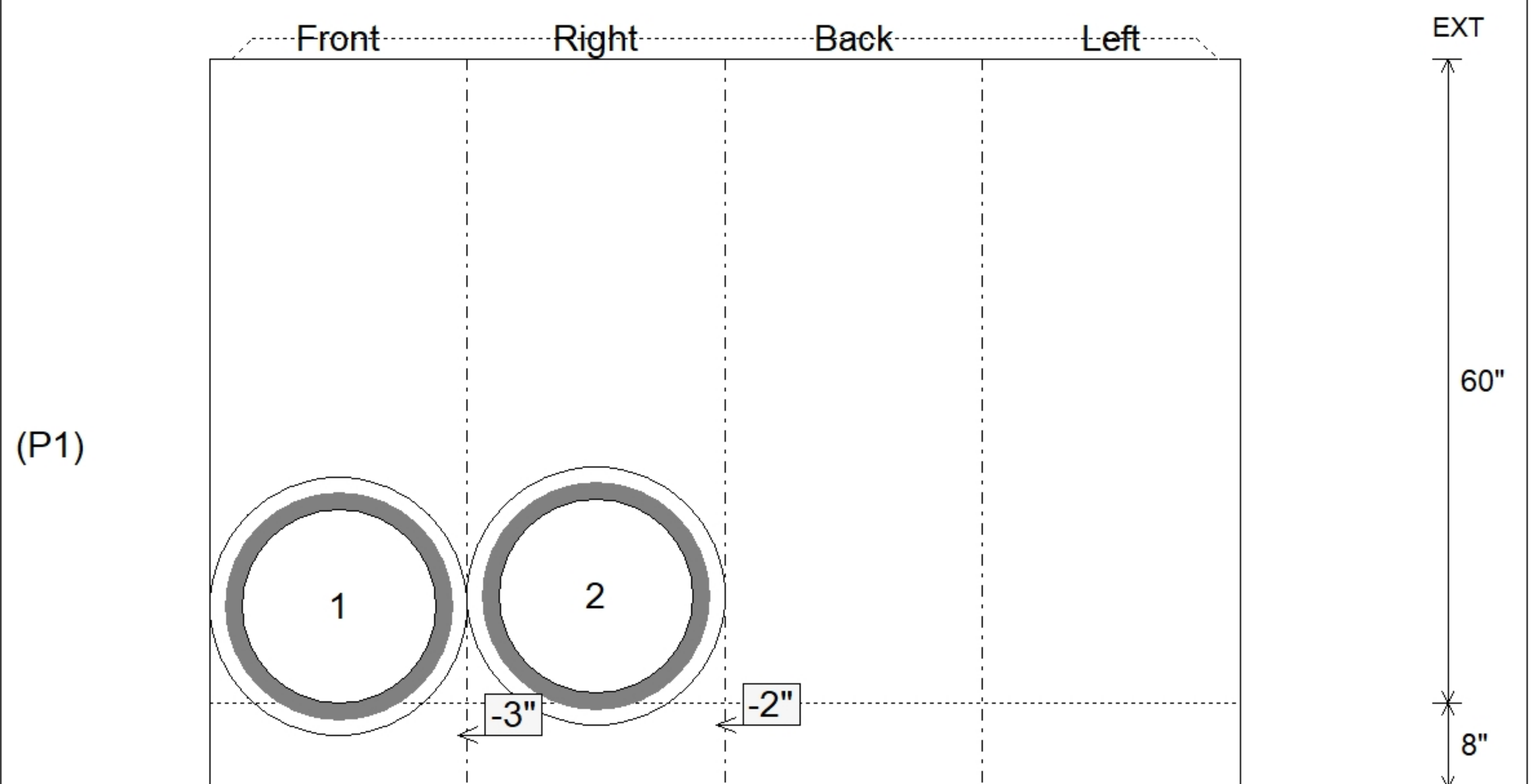
P3) 24" x 24" - CASTING HEIGHT - 5"	0 lb
P2) 24" x 24" - BOX RISER 8inW F/G - 30"	2578 lb
P1) 24" x 24" - BOX BASE 8inW, 8inF T/n - 60"	5774 lb
1) CASTING - HOE KY-465 SET (CBI TY F)	465 lb
2) 24" x 24" - Conseal CS-102 1.00"	0 lb
2) Hole - 24	0 lb
Structure Total:	8817 lb



Position	Elev	Angle	Pipe	Pipe OD	Hole	Connector	Up ()	Ref
Rim	421.43'							
Reducer								
Invert 1	413.5'	0°	18" HDPE	21.2"	24"	Hole 24	-3"	P1
Invert 2	413.58'	90°	18" HDPE	21.2"	24"	Hole 24	-2"	P1
Invert 3								
Invert 4								
Invert 5								
Invert 6								
Invert 7								
Invert 8								



Cast (Int. Dim.) - Interior Dimensions



Submittal Drawing
 11/20/2025 6:35:08 PM

SUBMITTAL
 APPROVED BY: