

**Job Name: 25-2113B WCHS Ph 3 Athletics Project**  
**Job Location: Springfield, KY**  
**Contractor: Caliber Construction Inc.**

PC: Jay Jarvis  
 TECH: J. Horsley - A  
 Plant: 100



Structure ID: 4  
 Spec: Sanitary  
 Type: SAN.MH  
 Size: 48"

Rim: 791.25'  
 Invert: 787.25'  
 Rim to Invert: 4'

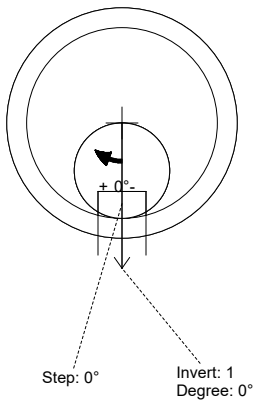
Sump: 3"  
 Floor (Top): 787'  
 Floor Height: 6"

Floor (Bot): 786.5'  
 Overall Height: 4.583'  
 Slack: 2"

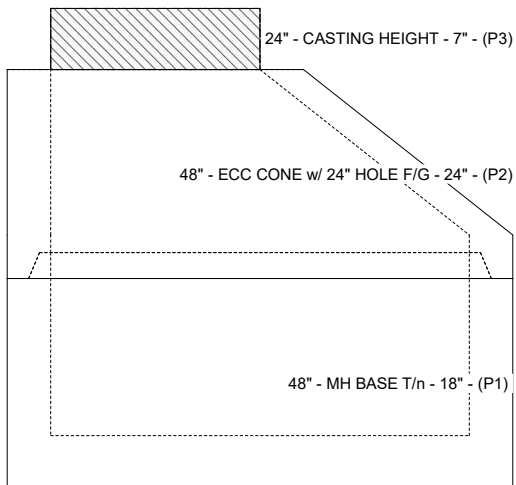
- Structure Notes:**
1. HOE MC-315 FRAME & COVER "SANITARY" PROVIDED BY ICAST
  2. PER ASTM C-478 SPECIFICATIONS
  3. CONCRETE: 4,000 PSI AT 28 DAYS
  4. REINFORCEMENT: PER ASTM A615
  5. INVERT CHANNEL REQUIRED
  6. STEPS AT 0 DEGREES

**STRUCTURE SUMMARY:**

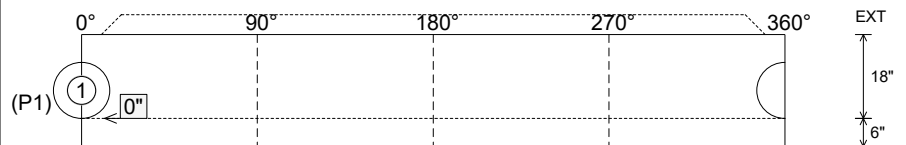
P3) 24" - CASTING HEIGHT - 7"	0 lb
P2) 48" - ECC CONE w/ 24" HOLE F/G - 24"	1550 lb
P1) 48" - MH BASE T/n - 18"	2540 lb
1) JOINT WRAP - 0.065"x6"x50' CONSEAL CS212	0 lb
1) JOINT WRAP PRIMER - CONSEAL CS-75 (1 gal.)	0 lb
1) 48" - MH INVERT CHANNEL - FULL HEIGHT	1440 lb
1) CASTING - HOE MC-315 F/C Sanitary	258 lb
1) 48" - Conseal CS-102 1.00" (Double)	0 lb
1) PSX - 12-06 NYLO	8 lb
3) MH Step ML-10-TDS-NCR - 10"	0 lb
<b>Structure Total:</b>	<b>5796 lb</b>



Position	Elev	Angle	Pipe	Pipe OD	Hole	Connector	Up (L)	Ref
Rim	791.25'							
Reducer								
Invert 1	787.25'	0°	6" PVC SDR35	6.25"	12"	PSX 12-06 NYLO	0"	P1
Invert 2								
Invert 3								
Invert 4								
Invert 5								
Invert 6								
Invert 7								
Invert 8								



**Cast (Int. Dim.) - Interior Dimensions**



Submittal Drawing  
 1/7/2026 10:51:27 AM

SUBMITTAL  
 APPROVED BY: