

Job Name: 25-2113B WCHS Ph 3 Athletics Project  
 Job Location: Springfield, KY  
 Contractor: Caliber Construction Inc.

Plant: 100

Tech: J. Horsley - A

1/7/2026 11:02:18 AM

PC: Jay Jarvis



**Structure ID: 4**

**P2 MH048CN24**

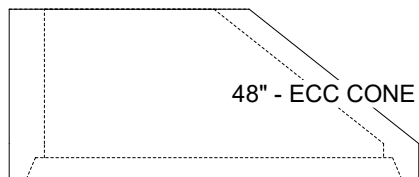
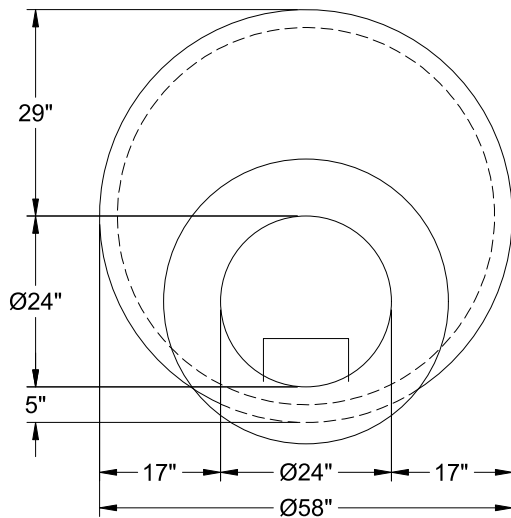
**ECC CONE w/ 24" HOLE F/G**

- P3) 24" - CASTING HEIGHT - 7"
- P2) 48" - ECC CONE w/ 24" HOLE F/G - 24"
- P1) 48" - MH BASE T/n - 18"
- 1) JOINT WRAP - 0.065"x6"x50' CONSEAL CS212
- 1) JOINT WRAP PRIMER - CONSEAL CS-75 (1 gal.)
- 1) 48" - MH INVERT CHANNEL - FULL HEIGHT
- 1) CASTING - HOE MC-315 F/C Sanitary
- 1) 48" - Conseal CS-102 1.00" (Double)
- 1) PSX - 12-06 NYLO
- 3) MH Step ML-10-TDS-NCR - 10"

- 0 lb
- 1550 lb
- 2540 lb
- 0 lb
- 0 lb
- 1440 lb
- 258 lb
- 0 lb
- 8 lb
- 0 lb
- 

Structure Total: 5796 lb

- Structure Notes:
1. HOE MC-315 FRAME & COVER "SANITARY" PROVIDED BY ICAST
  2. PER ASTM C-478 SPECIFICATIONS
  3. CONCRETE: 4,000 PSI AT 28 DAYS
  4. REINFORCEMENT: PER ASTM A615
  5. INVERT CHANNEL REQUIRED
  6. STEPS AT 0 DEGREES



Coating (Int):  
 Coating (Ext):

Seam Up: Flat  
 Seam Dn: Groove

Wall Thickness: 5"

Height (Ext): 24"

Weight (Net): 1550 lb  
 Volume (Net): 0.33cu.yd