

Job Name: 25-2113B WCHS Ph 3 Athletics Project
Job Location: Springfield, KY
Contractor: Caliber Construction Inc.

PC: Jay Jarvis
 TECH: J. Horsley - A
 Plant: 100



Structure ID: 1
 Spec: Sanitary
 Type: SAN.MH
 Size: 48"

Rim: 787'
 Invert: 783'
 Rim to Invert: 4'

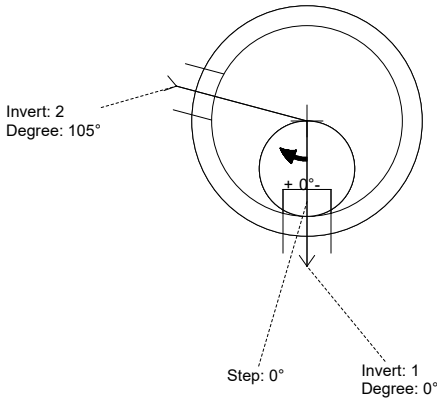
Sump: 3"
 Floor (Top): 782.75'
 Floor Height: 6"

Floor (Bot): 782.25'
 Overall Height: 4.583'
 Slack: 2"

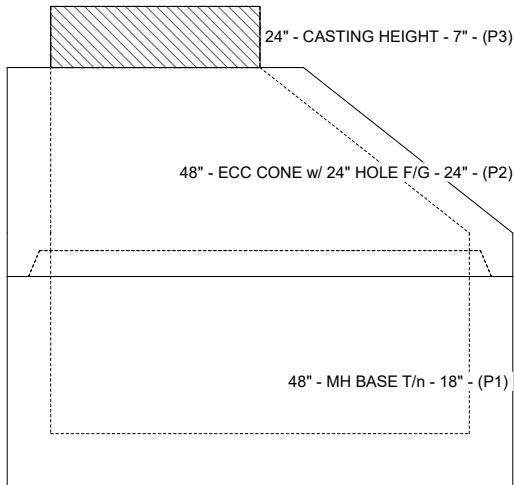
- Structure Notes:**
1. HOE MC-315 FRAME & COVER "SANITARY" PROVIDED BY ICAST
 2. PER ASTM C-478 SPECIFICATIONS
 3. CONCRETE: 4,000 PSI AT 28 DAYS
 4. REINFORCEMENT: PER ASTM A615
 5. INVERT CHANNEL REQUIRED
 6. STEPS AT 0 DEGREES

STRUCTURE SUMMARY:

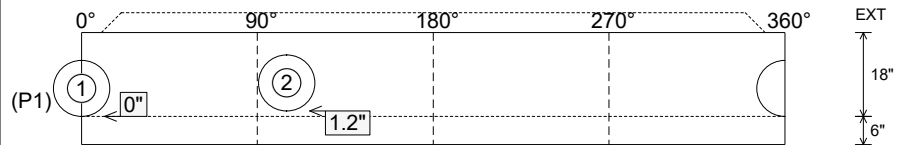
- P3) 24" - CASTING HEIGHT - 7" 0 lb
 - P2) 48" - ECC CONE w/ 24" HOLE F/G - 24" 1550 lb
 - P1) 48" - MH BASE T/n - 18" 2492 lb
 - 1) JOINT WRAP - 0.065"x6"x50' CONSEAL CS212 0 lb
 - 1) JOINT WRAP PRIMER - CONSEAL CS-75 (1 gal.) 0 lb
 - 1) 48" - MH INVERT CHANNEL - FULL HEIGHT 1440 lb
 - 1) CASTING - HOE MC-315 F/C Sanitary 258 lb
 - 1) 48" - Conseal CS-102 1.00" (Double) 0 lb
 - 2) PSX - 12-06 NYLO 16 lb
 - 3) MH Step ML-10-TDS-NCR - 10" 0 lb
- Structure Total: 5756 lb



Position	Elev	Angle	Pipe	Pipe OD	Hole	Connector	Up (L)	Ref
Rim	787'							
Reducer								
Invert 1	783'	0°	6" PVC SDR35	6.25"	12"	PSX 12-06 NYLO	0"	P1
Invert 2	783.1'	105°	6" PVC SDR35	6.25"	12"	PSX 12-06 NYLO	1.2"	P1
Invert 3								
Invert 4								
Invert 5								
Invert 6								
Invert 7								
Invert 8								



Cast (Int. Dim.) - Interior Dimensions



Submittal Drawing
 1/7/2026 10:51:25 AM

SUBMITTAL
 APPROVED BY: