

Structure ID: 1

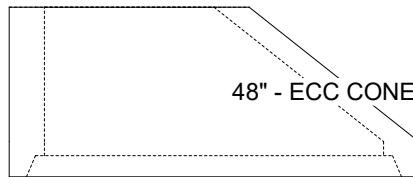
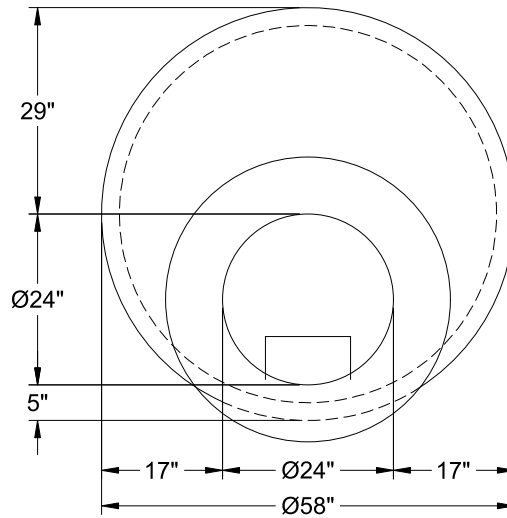
P2 MH048CN24

ECC CONE w/ 24" HOLE F/G

P3) 24" - CASTING HEIGHT - 7" P2) 48" - ECC CONE w/ 24" HOLE F/G - 24" P1) 48" - MH BASE T/n - 18" 1) JOINT WRAP - 0.065"x6"x50' CONSEAL CS212 1) JOINT WRAP PRIMER - CONSEAL CS-75 (1 gal.) 1) 48" - MH INVERT CHANNEL - FULL HEIGHT 1) CASTING - HOE MC-315 F/C Sanitary 1) 48" - Conseal CS-102 1.00" (Double) 2) PSX - 12-06 NYLO 3) MH Step ML-10-TDS-NCR - 10"	0 lb 1550 lb 2492 lb 0 lb 0 lb 1440 lb 258 lb 0 lb 16 lb 0 lb ----- Structure Total: 5756 lb
---	--

Structure Notes:

1. HOE MC-315 FRAME & COVER "SANITARY" PROVIDED BY ICAST
2. PER ASTM C-478 SPECIFICATIONS
3. CONCRETE: 4,000 PSI AT 28 DAYS
4. REINFORCEMENT: PER ASTM A615
5. INVERT CHANNEL REQUIRED
6. STEPS AT 0 DEGREES



Coating (Int): Coating (Ext):	Seam Up: Flat Seam Dn: Groove	Wall Thickness: 5"	Height (Ext): 24"	Weight (Net): 1550 lb Volume (Net): 0.33cu.yd
----------------------------------	----------------------------------	--------------------	-------------------	--