

Job Name: 25-2054B - South US 27 Ph 2 Sewer Extension  
 Job Location: Somerset, KY 42501  
 Contractor: Weddle Enterprises, Inc

Plant: Beaver Dam, KY  
 3/2/2026 2:29:06 PM

Tech: K. Cardwell  
 PC: C. Goff



**Structure ID: Wet Well**

**P2 MH072RS84SCDR**

**MH RISER SPECIAL w/ConBlock-CDA Red T/G**

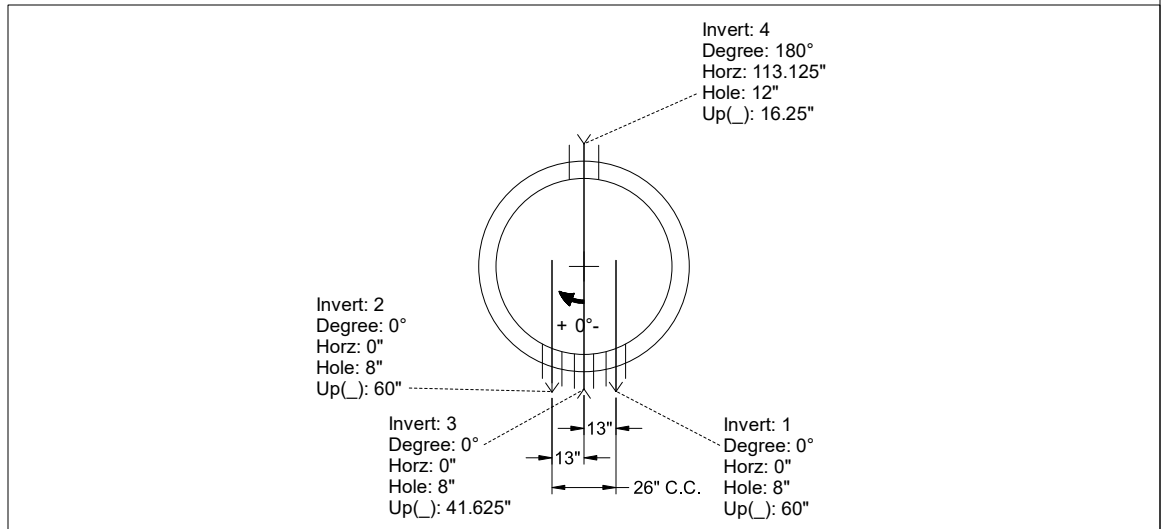
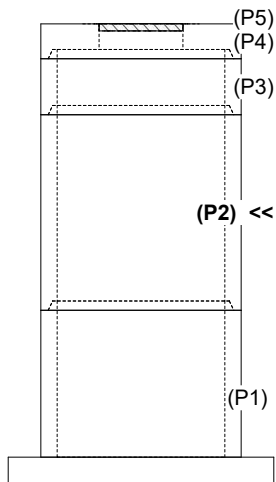
P5)	36" x 48" - HATCH (CAST FLUSH) - 3"	0 lb
P4)	72" - MH FLAT TOP w/36"x48" Hatch w/ConBlock CDA Red F/G - 15"	3880 lb
P3)	72" - MH RISER SPECIAL w/ConBlock-CDA Red T/G - 24"	3499 lb
P2)	72" - MH RISER SPECIAL w/ConBlock-CDA Red T/G - 84"	12086 lb
P1)	72" - MH BASE EF Cust. Ht. 12"F (14"EF =114"OD) w/ConBlock CDA Red T/n - 63"	19395 lb
1)	ADMIXTURE CONBLOCK CDA RED	0 lb
1)	SPECIAL Internal Coating - Carboline 300M	0 lb
1)	This Structure Includes a Cast-in Item - Halliday W1R 36" x 48" Hatch	0 lb
1)	SECONDARY POUR - Extended Base Flange	0 lb
1)	HATCH (Alum.) - HALLIDAY W1R 36"x48"	97 lb
3)	72" - Conseal CS-231 1.00" (Double)	0 lb
1)	36" x 48" - Conseal CS-231 1.00" (Double)	0 lb
3)	Hole - 8	0 lb
2)	PSX - 12M DD (DBL Bands)	16 lb
	336.94 SqFt) Carboline Bitumastic 300M [INT]	0 lb
	Structure Total:	38973 lb

**Structure Notes:**  
 1. PER ASTM C-478 SPECIFICATIONS  
 2. CONCRETE: 5,000 PSI AT 28 DAYS  
 3. REINFORCEMENT: PER ASTM A615  
 4. NO STEPS  
 5. CONBLOCK CDA RED ADMIXTURE REQUIRED  
 6. CARBOLINE 300M INTERNAL COATING REQUIRED (BY ICAST)  
 7. LIFTERS: 4 EA. 5CA14 CONAC A-ANCHORS FOR PLANT & FIELD HANDLING - INSTALLED AT 45°, 135°, 225°, & 315°, MIN. 16" FROM TOP OF WALLS

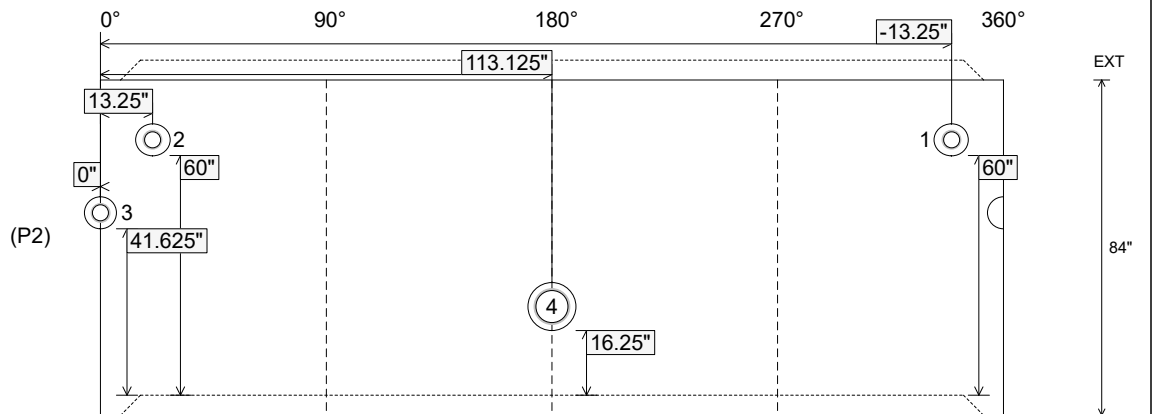
Rim: 848.5' Rim to Invert: 14.34' Slack: 0.08" Sump: 14" Step Position:

Position	Elev	Angle	Ext. (cw)	Pipe	Pipe OD	Connector	Hole	Horz Size	Up ( )	Offset
Invert 1	843.83'	0°	-13.25"	4" DI	4.75"	Hole 8	8"	8.609"	60"	-13"
Invert 2	843.83'	0°	13.25"	4" DI	4.75"	Hole 8	8"	8.609"	60"	13"
Invert 3	842.3'	0°	0"	4" DI	4.75"	Hole 8	8"	8.017"	41.625"	0"
Invert 4	840.18'	180°	135.125"	8" DI	9"	PSX 12M DD (DBL Bands)	12"	12.056"	16.25"	0"
Invert 5										
Invert 6										

**RIGHT-SIDE UP VIEW (int. dimensions)**



**INSIDE WALL DIMENSIONS**



Coating (Int): Carboline Bitumastic 300M Coating (Ext):	Seam Up: Tongue Seam Dn: Groove	Wall Thickness: 7" Floor Height: 0"	Height (Int): 84" Height (Ext): 84"	Weight (Net): 12086 lb Volume (Net): 3.09cu.yd
--	------------------------------------	--	--	---

**Job Number:**

25-2054B

**Job Name:**

South US 27 Ph 2 Sewer Extension

**Structure:**

Wet Well

**Note:**

This Structure Is To Receive An  
Internal Coating of Carboline 300M  
(Supplied By iCast)

**Job Number:**

25-2054B

**Job Name:**

South US 27 Ph 2 Sewer Extension

**Structure:**

Wet Well

**Note:**

Each PSX 12M Direct Drive Boot Is  
To Receive Double Pipe Bands  
(Supplied By iCast) – Total Boot  
Quantity: 2