

Job Name: 25-2054 - South US 27 Ph 2 Sewer Extension  
 Job Location: Somerset, KY 42501  
 Contractor: Weddle Enterprises, Inc

Plant: Beaver Dam, KY  
 10/23/2025 2:00:54 PM

Tech: K. Cardwell  
 PC: C. Goff



**Structure ID: MH A-7**

**P1 MH048BA24CDARED**

**MH BASE w/ConBlock-CDA Red T/n**

- P5) 24" - CASTING HEIGHT - 7" 0 lb
  - P4) 24" - GRADE RING w/ConBlock-CDA Red F/F - 4" 270 lb
  - P3) 48" - ECC CONE w/ 24" HOLE, w/ConBlock-CDA Red F/G - 30" 1961 lb
  - P2) 48" - MH RISER w/ConBlock-CDA Red T/G - 36" 2515 lb
  - P1) 48" - MH BASE w/ConBlock-CDA Red T/n - 24" 2890 lb
  - 1) JOINT WRAP PRIMER - CONSEAL CS-75 (1 gal.) 0 lb
  - 1) JOINT WRAP - 0.065"x6"x50" CONSEAL CS212 0 lb
  - 1) ADMIXTURE CONBLOCK CDA RED 0 lb
  - 1) 48" - MH INVERT CHANNEL w/ConBlock-CDA Red - FULL HEIGHT 1440 lb
  - 2) 48" - Conseal CS-102 1.00" (Double) 0 lb
  - 2) PSX - 12-08 NYLO 16 lb
  - 1) PSX - 8QRS-S NYLO 6 lb
  - 8) MH Step ML-10-TDS-NCR - 10" 0 lb
- Structure Total: 9099 lb

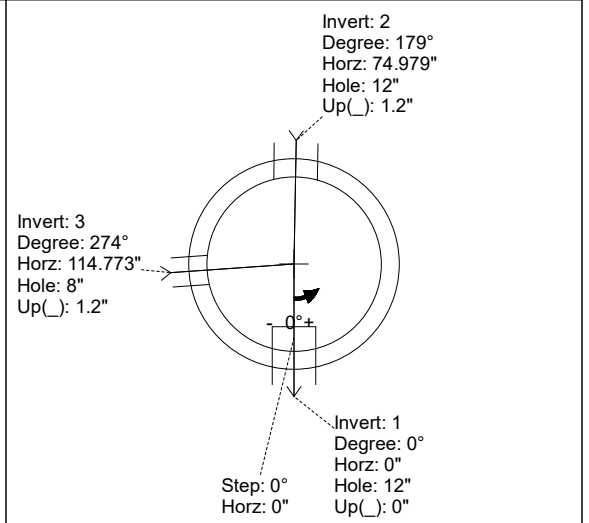
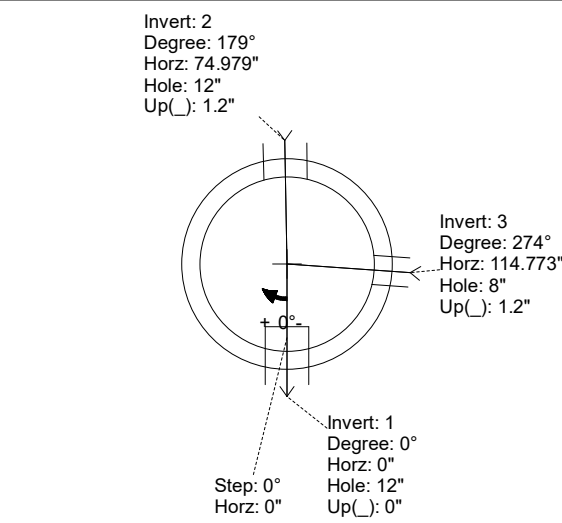
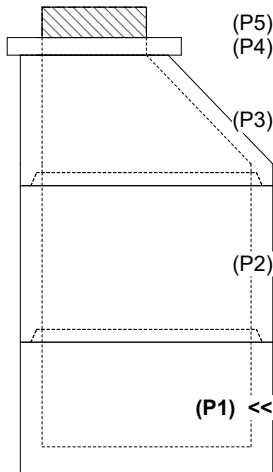
- Structure Notes:**  
 STATION: 14+58 LINE "A"
1. PER ASTM C-478 SPECS
  2. CONCRETE: 5,000 PSI AT 28 DAYS
  3. REINFORCEMENT: PER ASTM A615
  4. INVERT CHANNEL REQUIRED
  5. CONBLOCK CDA RED ADMIXTURE REQUIRED
  6. 7" CASTING SUPPLIED BY OTHERS
  7. STEPS AT 0 DEGREES

Rim: 892.05' Rim to Invert: 8.35' Slack: 1.2' Sump: 2' Step Position: 0°

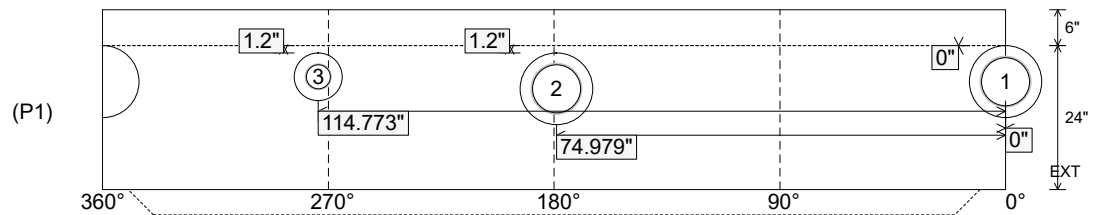
Position	Elev	Angle	Ext. (cw)	Pipe	Pipe OD	Connector	Hole	Horz Size	Up ( )	Offset
Invert 1	883.7'	0°	0"	8" PVC SDR35	8.5"	PSX 12-08 NYLO	12"	12.129"	0"	0"
Invert 2	883.8'	179°	90.6"	8" PVC SDR35	8.5"	PSX 12-08 NYLO	12"	12.129"	1.2"	0"
Invert 3	883.8'	274°	138.684"	4" PVC SDR21	4.375"	PSX 8QRS-S NYLO	8"	8.038"	1.2"	0"
Invert 4										
Invert 5										
Invert 6										
Invert 7										
Invert 8										

RIGHT-SIDE UP VIEW (int. dimensions)

UPSIDE-DOWN VIEW (int. dimensions)



INSIDE WALL DIMENSIONS



Coating (Int):  
 Coating (Ext):

Seam Up: Tongue  
 Seam Dn: n/a

Wall Thickness: 5"  
 Floor Height: 6"

Height (Int): 24"  
 Height (Ext): 30"

Weight (Net): 2890 lb  
 Volume (Net): 0.74cu.yd

Job Name: 25-2054 - South US 27 Ph 2 Sewer Extension  
 Job Location: Somerset, KY 42501  
 Contractor: Weddle Enterprises, Inc

Plant: Beaver Dam, KY  
 10/23/2025 2:00:54 PM

Tech: K. Cardwell  
 PC: C. Goff



**Structure ID: MH A-7**

**P1 MH048BA24CDARED**

**MH BASE w/ConBlock-CDA Red T/n**

- P5) 24" - CASTING HEIGHT - 7" 0 lb
  - P4) 24" - GRADE RING w/ConBlock-CDA Red F/F - 4" 270 lb
  - P3) 48" - ECC CONE w/ 24" HOLE, w/ConBlock-CDA Red F/G - 30" 1961 lb
  - P2) 48" - MH RISER w/ConBlock-CDA Red T/G - 36" 2515 lb
  - P1) 48" - MH BASE w/ConBlock-CDA Red T/n - 24" 2890 lb
  - 1) JOINT WRAP PRIMER - CONSEAL CS-75 (1 gal.) 0 lb
  - 1) JOINT WRAP - 0.065"x6"x50" CONSEAL CS212 0 lb
  - 1) ADMIXTURE CONBLOCK CDA RED 0 lb
  - 1) 48" - MH INVERT CHANNEL w/ConBlock-CDA Red - FULL HEIGHT 1440 lb
  - 2) 48" - Conseal CS-102 1.00" (Double) 0 lb
  - 2) PSX - 12-08 NYLO 16 lb
  - 1) PSX - 8QRS-S NYLO 6 lb
  - 8) MH Step ML-10-TDS-NCR - 10" 0 lb
- Structure Total: 9099 lb

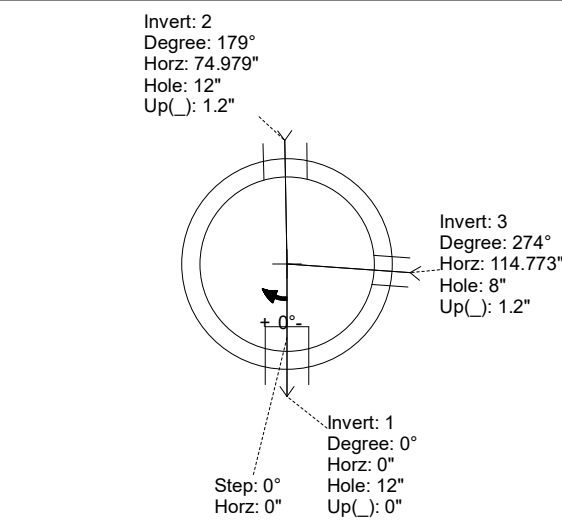
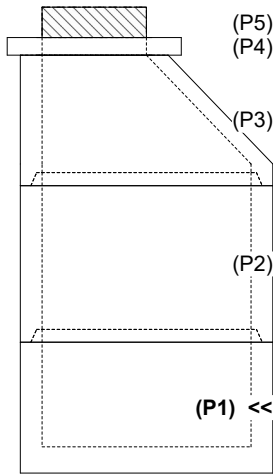
- Structure Notes:**  
 STATION: 14+58 LINE "A"
1. PER ASTM C-478 SPECS
  2. CONCRETE: 5,000 PSI AT 28 DAYS
  3. REINFORCEMENT: PER ASTM A615
  4. INVERT CHANNEL REQUIRED
  5. CONBLOCK CDA RED ADMIXTURE REQUIRED
  6. 7" CASTING SUPPLIED BY OTHERS
  7. STEPS AT 0 DEGREES

Rim: 892.05' Rim to Invert: 8.35' Slack: 1.2' Sump: 2' Step Position: 0°

Position	Elev	Angle	Ext. (cw)	Pipe	Pipe OD	Connector	Hole	Horz Size	Up ( )	Offset
Invert 1	883.7'	0°	0"	8" PVC SDR35	8.5"	PSX 12-08 NYLO	12"	12.129"	0"	0"
Invert 2	883.8'	179°	90.6"	8" PVC SDR35	8.5"	PSX 12-08 NYLO	12"	12.129"	1.2"	0"
Invert 3	883.8'	274°	138.684"	4" PVC SDR21	4.375"	PSX 8QRS-S NYLO	8"	8.038"	1.2"	0"
Invert 4										
Invert 5										
Invert 6										
Invert 7										
Invert 8										

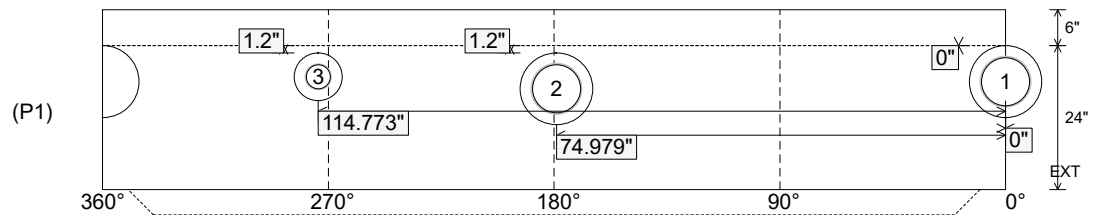
RIGHT-SIDE UP VIEW (int. dimensions)

UPSIDE-DOWN VIEW (int. dimenions)



INVERT CHANNEL  
DRAWING

INSIDE WALL DIMENSIONS



Coating (Int):  
 Coating (Ext):

Seam Up: Tongue  
 Seam Dn: n/a

Wall Thickness: 5"  
 Floor Height: 6"

Height (Int): 24"  
 Height (Ext): 30"

Weight (Net): 2890 lb  
 Volume (Net): 0.74cu.yd