

**Job Name: 25-2054 - South US 27 Ph 2 Sewer Extension**  
**Job Location: Somerset, KY 42501**  
**Contractor: Weddle Enterprises, Inc**

PC: C. Goff  
 TECH: K. Cardwell  
 Plant: Beaver Dam, KY



Structure ID: **MH A-1**

Spec: Sanitary  
 Type: SAN.MH w/ConBlock-CDA Red  
 Size: 48"

Rim: 874'  
 Invert: 868.45'  
 Rim to Invert: 5.55'

Sump: 3"  
 Floor (Top): 868.2"  
 Floor Height: 6"

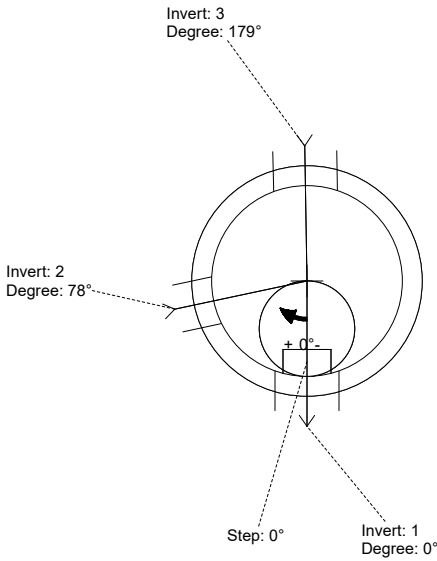
Floor (Bot): 867.7'  
 Overall Height: 6.083'  
 Slack: 2.6"

**Structure Notes:**

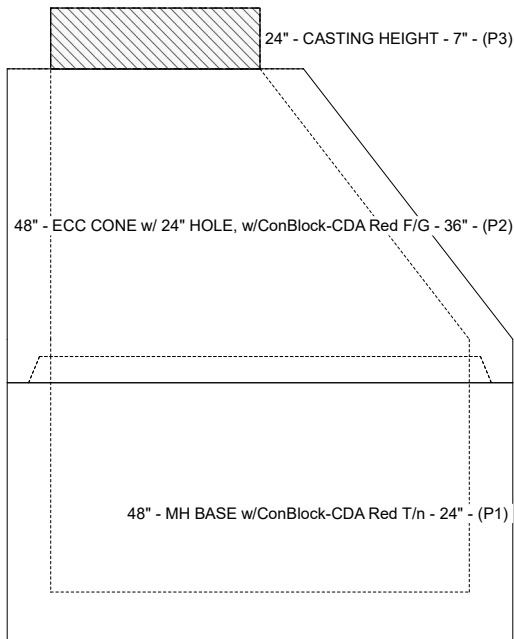
- STATION: 0+00 LINE "A"
- 1. PER ASTM C-478 SPECS
- 2. CONCRETE: 5,000 PSI AT 28 DAYS
- 3. REINFORCEMENT: PER ASTM A615
- 4. INVERT CHANNEL REQUIRED
- 5. CONBLOCK CDA RED ADMIXTURE REQUIRED
- 6. 7" CASTING SUPPLIED BY OTHERS
- 7. STEPS AT 0 DEGREES

**STRUCTURE SUMMARY:**

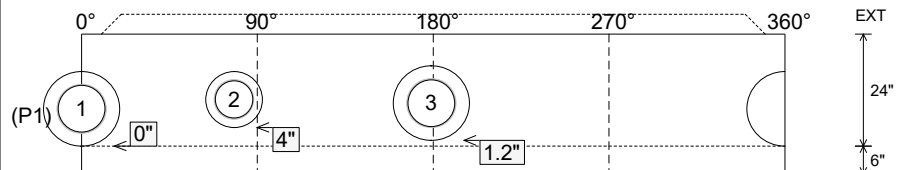
- P3) 24" - CASTING HEIGHT - 7" 0 lb
  - P2) 48" - ECC CONE w/ 24" HOLE, w/ConBlock-CDA Red F/G - 36" 2251 lb
  - P1) 48" - MH BASE w/ConBlock-CDA Red T/n - 24" 2787 lb
  - 1) JOINT WRAP PRIMER - CONSEAL CS-75 (1 gal.) 0 lb
  - 1) JOINT WRAP - 0.065"x6"x50' CONSEAL CS212 0 lb
  - 1) ADMIXTURE CONBLOCK CDA RED 0 lb
  - 1) 48" - MH INVERT CHANNEL w/ConBlock-CDA Red - FULL HEIGHT 1440 lb
  - 1) 48" - Conseal CS-102 1.00" (Double) 0 lb
  - 2) PSX - 16Y NYLO 16 lb
  - 1) PSX - 12-08 NYLO 8 lb
  - 5) MH Step ML-10-TDS-NCR - 10" 0 lb
- Structure Total: 6503 lb**



Position	Elev	Angle	Pipe	Pipe OD	Hole	Connector	Up (L)	Ref
Rim	874'							
Reducer								
Invert 1	868.45'	0°	10" PVC SDR35	10.5"	16"	PSX 16Y NYLO	0"	P1
Invert 2	868.7'	78°	8" PVC SDR35	8.5"	12"	PSX 12-08 NYLO	4"	P1
Invert 3	868.55'	179°	10" PVC SDR35	10.5"	16"	PSX 16Y NYLO	1.2"	P1
Invert 4								
Invert 5								
Invert 6								
Invert 7								
Invert 8								



**Cast (Int. Dim.) - Interior Dimensions**



Submittal Drawing  
 10/23/2025 1:12:05 PM

SUBMITTAL  
 APPROVED BY: