

Job Name: 25-2054 - South US 27 Ph 2 Sewer Extension  
 Job Location: Somerset, KY 42501  
 Contractor: Weddle Enterprises, Inc

Plant: Beaver Dam, KY  
 10/23/2025 2:00:49 PM

Tech: K. Cardwell  
 PC: C. Goff



**Structure ID: MH A-1**

**P1 MH048BA24CDARED**

**MH BASE w/ConBlock-CDA Red T/n**

- P3) 24" - CASTING HEIGHT - 7"
- P2) 48" - ECC CONE w/ 24" HOLE, w/ConBlock-CDA Red F/G - 36"
- P1) 48" - MH BASE w/ConBlock-CDA Red T/n - 24"
- 1) JOINT WRAP PRIMER - CONSEAL CS-75 (1 gal.)
- 1) JOINT WRAP - 0.065"x6"x50" CONSEAL CS212
- 1) ADMIXTURE CONBLOCK CDA RED
- 1) 48" - MH INVERT CHANNEL w/ConBlock-CDA Red - FULL HEIGHT
- 1) 48" - Conseal CS-102 1.00" (Double)
- 2) PSX - 16Y NYLO
- 1) PSX - 12-08 NYLO
- 5) MH Step ML-10-TDS-NCR - 10"

**Structure Notes:**  
 STATION: 0+00 LINE "A"  
 1. PER ASTM C-478 SPECS  
 2. CONCRETE: 5,000 PSI AT 28 DAYS  
 3. REINFORCEMENT: PER ASTM A615  
 4. INVERT CHANNEL REQUIRED  
 5. CONBLOCK CDA RED ADMIXTURE REQUIRED  
 6. 7" CASTING SUPPLIED BY OTHERS  
 7. STEPS AT 0 DEGREES

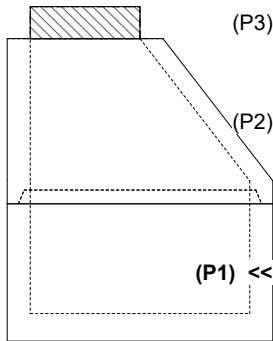
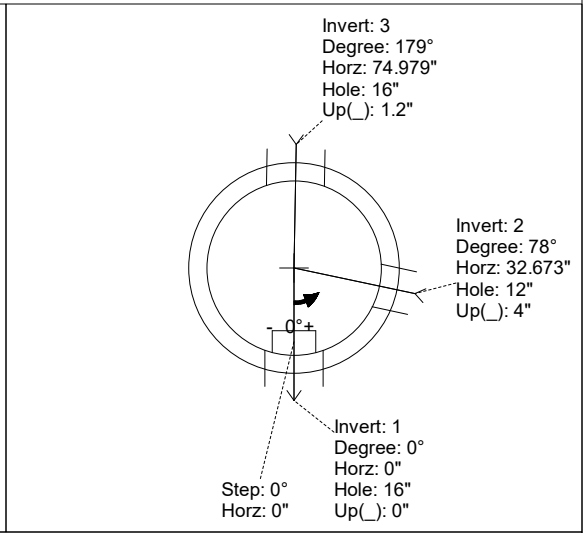
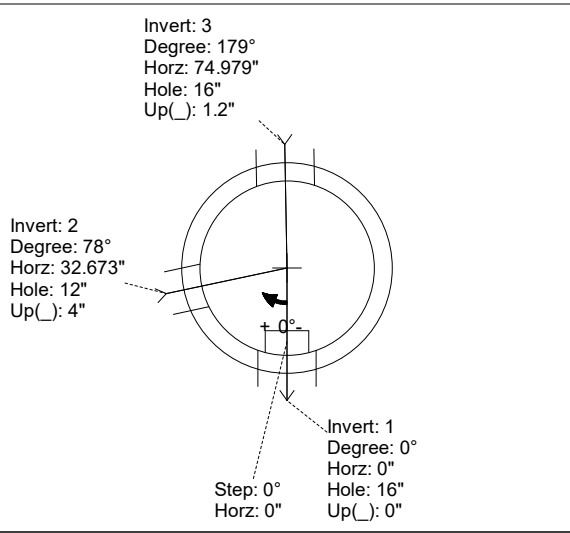
Structure Total: 6503 lb

Rim: 874' Rim to Invert: 5.55' Slack: 2.6" Sump: 3" Step Position: 0°

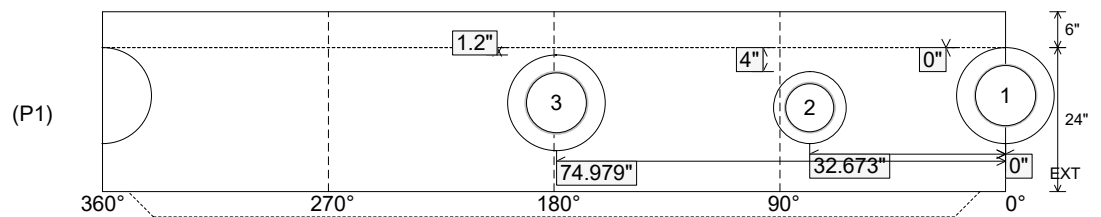
Position	Elev	Angle	Ext. (cw)	Pipe	Pipe OD	Connector	Hole	Horz Size	Up ( )	Offset
Invert 1	868.45'	0°	0"	10" PVC SDR35	10.5"	PSX 16Y NYLO	16"	16.312"	0"	0"
Invert 2	868.7'	78°	39.479"	8" PVC SDR35	8.5"	PSX 12-08 NYLO	12"	12.129"	4"	0"
Invert 3	868.55'	179°	90.6"	10" PVC SDR35	10.5"	PSX 16Y NYLO	16"	16.312"	1.2"	0"
Invert 4										
Invert 5										
Invert 6										
Invert 7										
Invert 8										

RIGHT-SIDE UP VIEW (int. dimensions)

UPSIDE-DOWN VIEW (int. dimensions)



INSIDE WALL DIMENSIONS



Coating (Int):  
 Coating (Ext):

Seam Up: Tongue  
 Seam Dn: n/a

Wall Thickness: 5"  
 Floor Height: 6"

Height (Int): 24"  
 Height (Ext): 30"

Weight (Net): 2787 lb  
 Volume (Net): 0.71cu.yd

Job Name: 25-2054 - South US 27 Ph 2 Sewer Extension  
 Job Location: Somerset, KY 42501  
 Contractor: Weddle Enterprises, Inc

Plant: Beaver Dam, KY  
 10/23/2025 2:00:49 PM

Tech: K. Cardwell  
 PC: C. Goff



**Structure ID: MH A-1**

**P1 MH048BA24CDARED**

**MH BASE w/ConBlock-CDA Red T/n**

- P3) 24" - CASTING HEIGHT - 7"
- P2) 48" - ECC CONE w/ 24" HOLE, w/ConBlock-CDA Red F/G - 36"
- P1) 48" - MH BASE w/ConBlock-CDA Red T/n - 24"
- 1) JOINT WRAP PRIMER - CONSEAL CS-75 (1 gal.)
- 1) JOINT WRAP - 0.065"x6"x50" CONSEAL CS212
- 1) ADMIXTURE CONBLOCK CDA RED
- 1) 48" - MH INVERT CHANNEL w/ConBlock-CDA Red - FULL HEIGHT
- 1) 48" - Conseal CS-102 1.00" (Double)
- 2) PSX - 16Y NYLO
- 1) PSX - 12-08 NYLO
- 5) MH Step ML-10-TDS-NCR - 10"

**Structure Notes:**  
 STATION: 0+00 LINE "A"  
 1. PER ASTM C-478 SPECS  
 2. CONCRETE: 5,000 PSI AT 28 DAYS  
 3. REINFORCEMENT: PER ASTM A615  
 4. INVERT CHANNEL REQUIRED  
 5. CONBLOCK CDA RED ADMIXTURE REQUIRED  
 6. 7" CASTING SUPPLIED BY OTHERS  
 7. STEPS AT 0 DEGREES

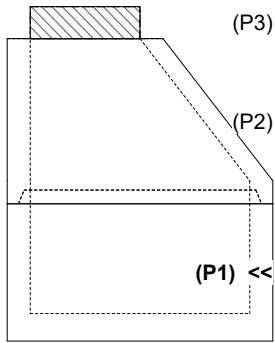
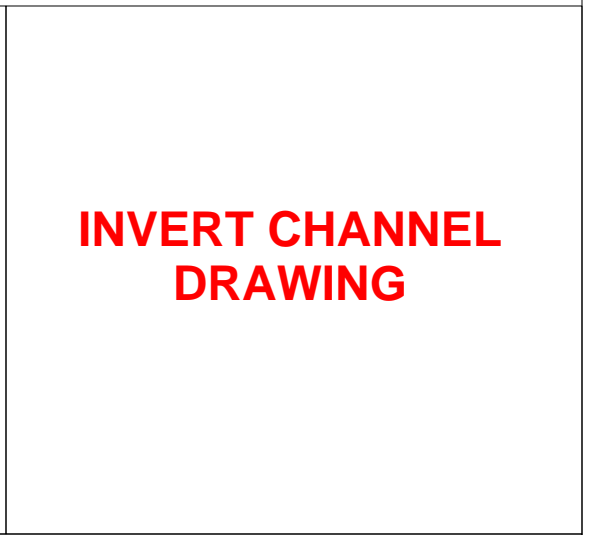
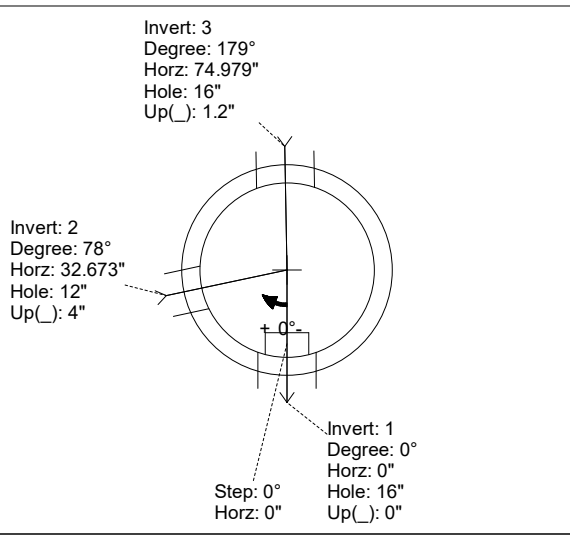
Structure Total: 6503 lb

Rim: 874' Rim to Invert: 5.55' Slack: 2.6" Sump: 3" Step Position: 0°

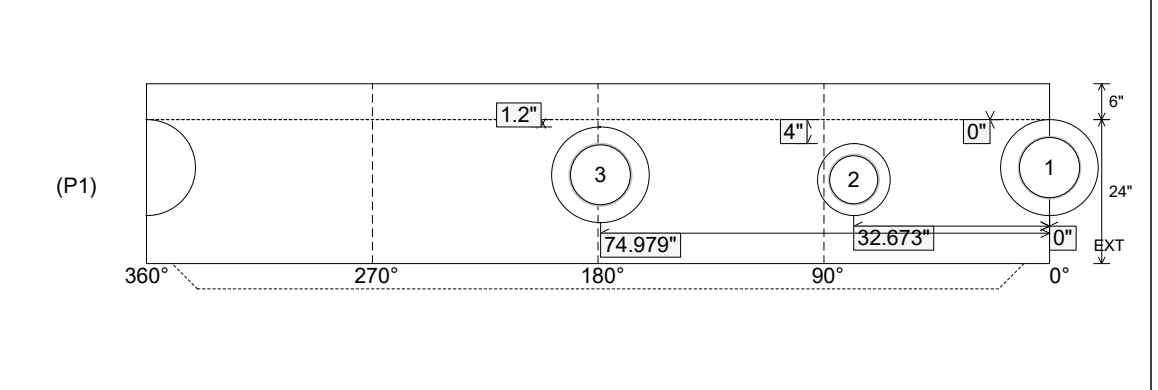
Position	Elev	Angle	Ext. (cw)	Pipe	Pipe OD	Connector	Hole	Horz Size	Up ( )	Offset
Invert 1	868.45'	0°	0"	10" PVC SDR35	10.5"	PSX 16Y NYLO	16"	16.312"	0"	0"
Invert 2	868.7'	78°	39.479"	8" PVC SDR35	8.5"	PSX 12-08 NYLO	12"	12.129"	4"	0"
Invert 3	868.55'	179°	90.6"	10" PVC SDR35	10.5"	PSX 16Y NYLO	16"	16.312"	1.2"	0"
Invert 4										
Invert 5										
Invert 6										
Invert 7										
Invert 8										

RIGHT-SIDE UP VIEW (int. dimensions)

UPSIDE-DOWN VIEW (int. dimenions)



INSIDE WALL DIMENSIONS



Coating (Int): Coating (Ext):	Seam Up: Tongue Seam Dn: n/a	Wall Thickness: 5" Floor Height: 6"	Height (Int): 24" Height (Ext): 30"	Weight (Net): 2787 lb Volume (Net): 0.71cu.yd
----------------------------------	---------------------------------	--	--	--