

**Job Name: 25-1965 ACEE'S MARKET & DELI**  
**Job Location: Fulton, KY**  
**Contractor: Rinker Underground**

PC: J.Jarvis  
 TECH: J. Coppage  
 Plant: Beaver Dam



Structure ID: **ST 15**

Spec: Storm  
 Type: STM.MH (Recessed pipe)  
 Size: 48"

Rim: 416'  
 Invert: 411.65'  
 Rim to Invert: 4.35'

Sump: 0"  
 Floor (Top): 411.65'  
 Floor Height: 6"

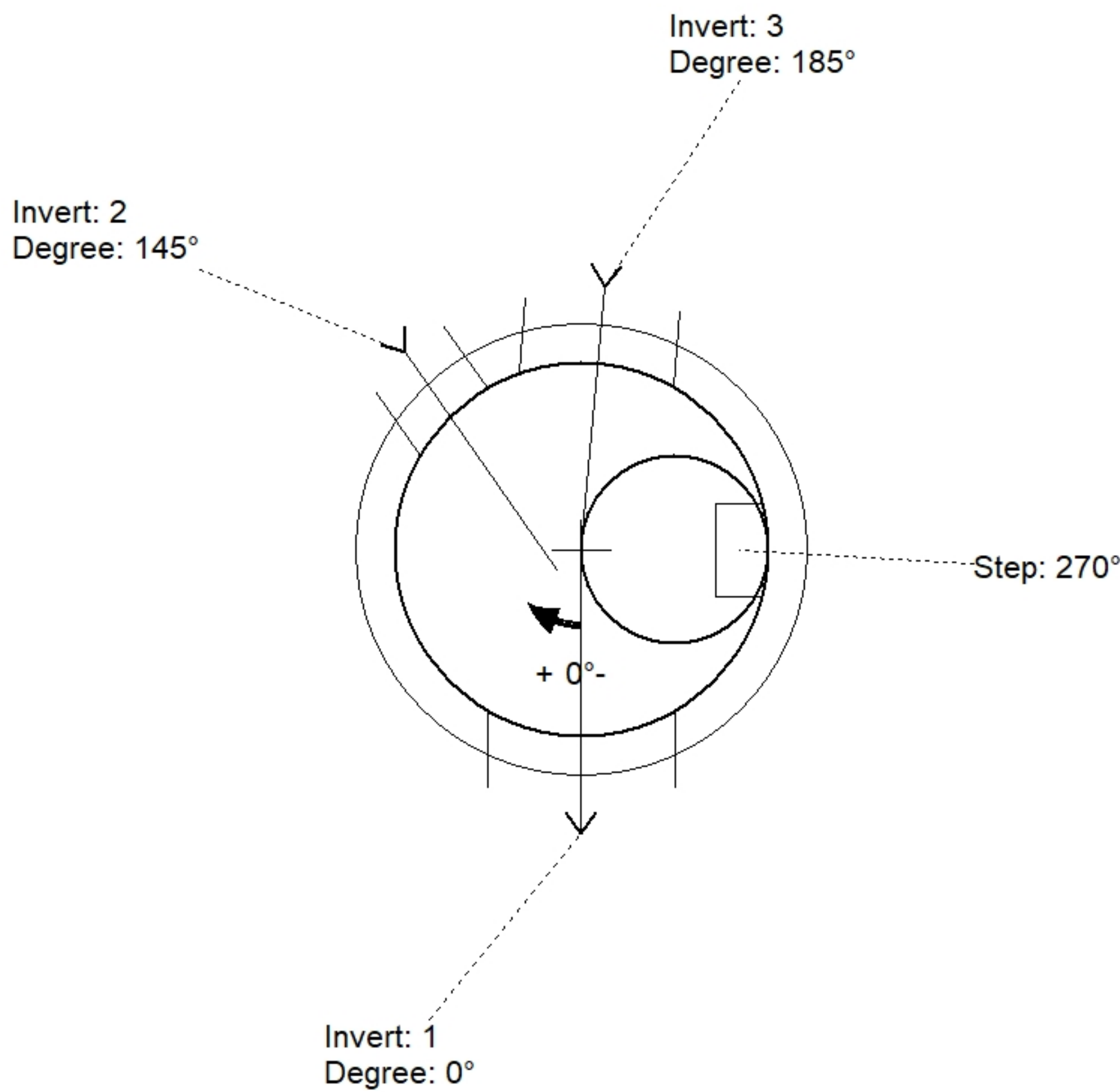
Floor (Bot): 411.15'  
 Overall Height: 4.833'  
 Slack: 0.2"

**Structure Notes:**

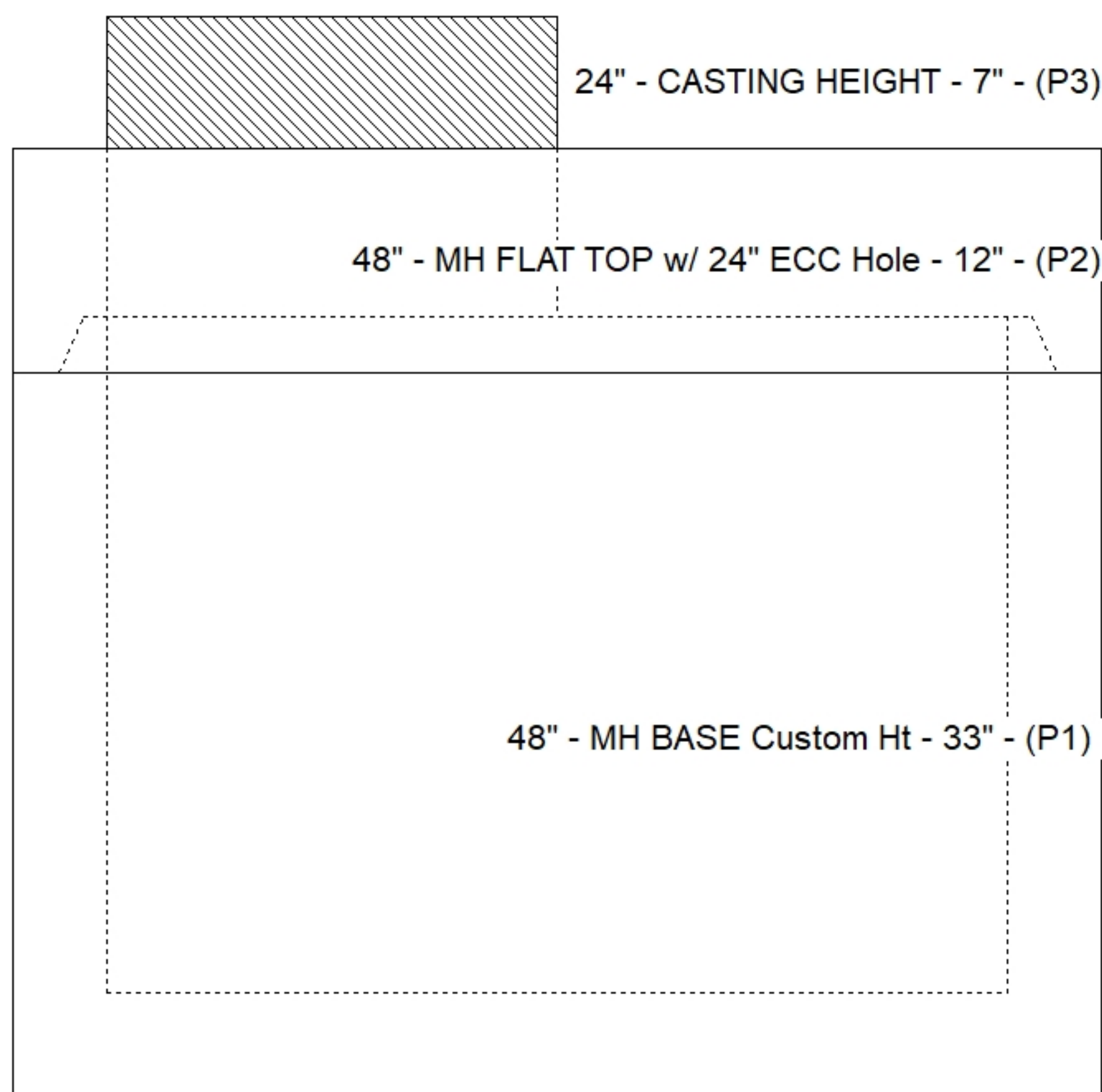
1. PER ASTM C478 SPECIFICATIONS.
2. CONCRETE = 4,000 PSI AT 28 DAYS.
3. REINFORCING PER ASTM A615 (GRADE 60).
4. HOE MC-315 STORM PROVIDED BY ICAST
  - TOP SLAB (As .62) #5 BARS AT 6" C.C.E.W..
  - RISER/WALLS (As .12)
  - FLOOR (As .31) #5 BARS AT 12" C.C.E.W.

**STRUCTURE SUMMARY:**

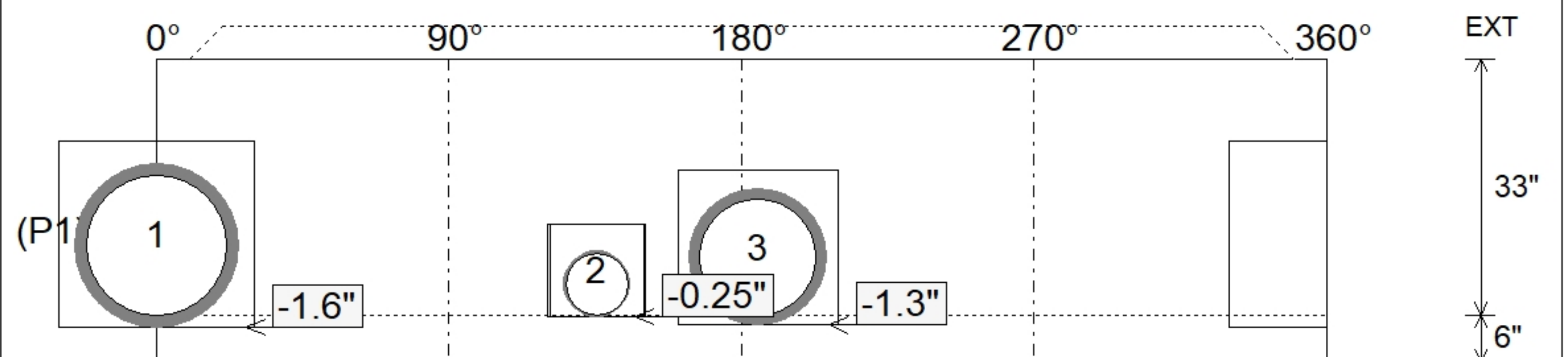
P3) 24" - CASTING HEIGHT - 7"	0 lb
P2) 48" - MH FLAT TOP w/ 24" ECC Hole - 12"	1561 lb
P1) 48" - MH BASE Custom Ht - 33"	3150 lb
1) 48" - SGL 1"x14.5' Butyl (2x)	0 lb
1) SQ. Hole - 24"x24"	0 lb
1) SQ. Hole - 12"x12"	0 lb
1) SQ. Hole - 20"x20"	0 lb
3) MH Step ML-10-TDS-NCR - 10"	0 lb
<b>Structure Total:</b>	<b>4711 lb</b>



Position	Elev	Angle	Pipe	Pipe OD	Hole	Connector	Up (")	Ref
Rim	416'							
Reducer								
Invert 1	411.65'	0°	18" HDPE	21.2"	24" x 24"	SQ. Hole 24"x24"	-1.6"	P1
Invert 2	411.65'	145°	8" PVC SDR26	8.5"	12" x 12"	SQ. Hole 12"x12"	-0.25"	P1
Invert 3	411.65'	185°	15" HDPE	17.6"	20" x 20"	SQ. Hole 20"x20"	-1.3"	P1
Invert 4								
Invert 5								
Invert 6								
Invert 7								
Invert 8								



**Default - Interior Dimensions**



Submittal Drawing  
 12/2/2025 10:10:49 AM

SUBMITTAL  
 APPROVED BY: