

Job Name: 25-1965 ACEE'S MARKET & DELI  
 Job Location: Fulton, KY  
 Contractor: Rinker Underground

Plant: Beaver Dam

12/2/2025 7:53:29 AM

Tech: J. Coppage

PC: J. Jarvis



**Structure ID: ST 15**

**P1 MH048BAVF**

**MH BASE Custom Ht**

- P3) 24" - CASTING HEIGHT - 7"
- P2) 48" - MH FLAT TOP w/ 24" ECC Hole - 12"
- P1) 48" - MH BASE Custom Ht - 33"
- 1) 48" - SGL 1"x14.5' Butyl (2x)
- 1) SQ. Hole - 24"x24"
- 1) SQ. Hole - 12"x12"
- 1) SQ. Hole - 20"x20"
- 3) MH Step ML-10-TDS-NCR - 10"

0 lb  
 1561 lb  
 3150 lb  
 0 lb  
 0 lb  
 0 lb  
 0 lb  
 0 lb  
 -----  
 Structure Total: 4711 lb

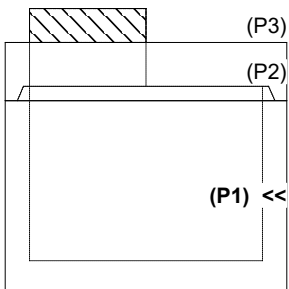
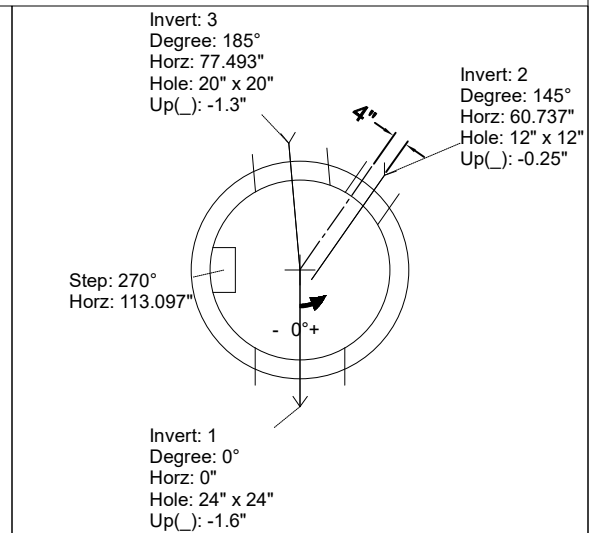
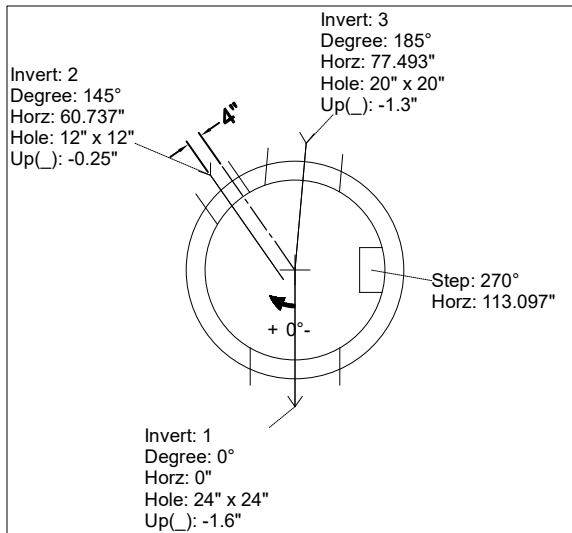
- Structure Notes:**
1. PER ASTM C478 SPECIFICATIONS.
  2. CONCRETE = 4,000 PSI AT 28 DAYS.
  3. REINFORCING PER ASTM A615 (GRADE 60).
  4. HOE MC-315 STORM PROVIDED BY ICAST
- TOP SLAB (As .62) #5 BARS AT 6" C.C.E.W..
  - RISER/WALLS (As .12)
  - FLOOR (As .31) #5 BARS AT 12" C.C.E.W.

Rim: 416' Rim to Invert: 4.35' Slack: 0.2" Sump: 0" Step Position: 270°

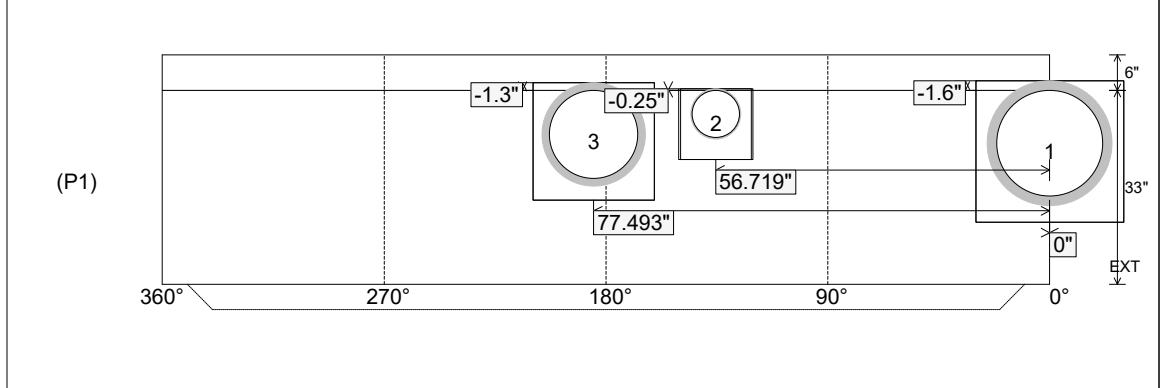
Position	Elev	Angle	Ext. (cw)	Pipe	Pipe OD	Connector	Hole	Horz Size	Up ( )	Offset
Invert 1	411.65'	0°	0"	18" HDPE	21.2"	SQ. Hole 24"x24"	24" x 24"	25.133"	-1.6"	0"
Invert 2	411.65'	145°	69.378"	8" PVC SDR26	8.5"	SQ. Hole 12"x12"	12" x 12"	12.317"	-0.25"	-4"
Invert 3	411.65'	185°	93.637"	15" HDPE	17.6"	SQ. Hole 20"x20"	20" x 20"	20.629"	-1.3"	0"
Invert 4										
Invert 5										
Invert 6										
Invert 7										
Invert 8										

RIGHT-SIDE UP VIEW (int. dimensions)

UPSIDE-DOWN VIEW (int. dimensions)



INSIDE WALL DIMENSIONS



Coating (Int): Coating (Ext):	Seam Up: Tongue Seam Dn: n/a	Wall Thickness: 5" Floor Height: 6"	Height (Int): 33" Height (Ext): 39"	Weight (Net): 3150 lb Volume (Net): 0.8cu.yd
----------------------------------	---------------------------------	--	--	---