

Job Name: 25-1965 ACEE'S MARKET & DELI
Job Location: Fulton, KY
Contractor: Rinker Underground

PC: J.Jarvis
 TECH: J. Coppage
 Plant: Beaver Dam



Structure ID: **ST 14**

Spec: Storm
 Type: BX 8inW, 8inF
 Size: 24" x 36"

Rim: 415.37'
 Invert: 412.75'
 Rim to Invert: 2.62'

Sump: 0"
 Floor (Top): 412.75'
 Floor Height: 8"

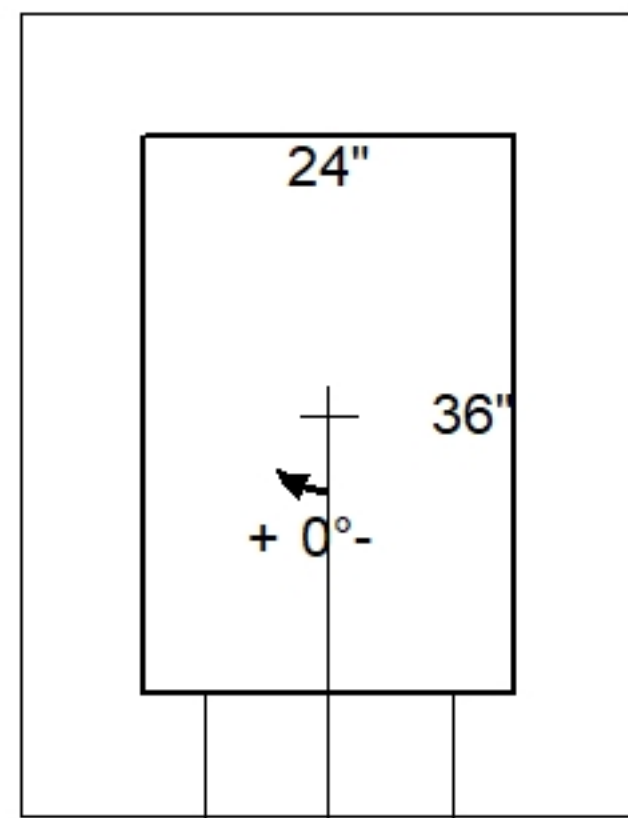
Floor (Bot): 412.083'
 Overall Height: 3.25'
 Slack: 0.44"

Structure Notes:

1. PER ASTM C913 SPECIFICATIONS.
2. CONCRETE = 4,000 PSI AT 28 DAYS.
3. JR HOE HOE-518 PROVIDED BY ICAST.
4. REINFORCING PER ASTM A615 (GRADE 60).
 - TOP SLAB (As .62) #5 BARS AT 6" C.C.E.W.
 - WALLS (As .12) #5 BARS AT 12" C.C.E.W.
 - FLOOR (As .12) #5 BARS AT 12" C.C.E.W.

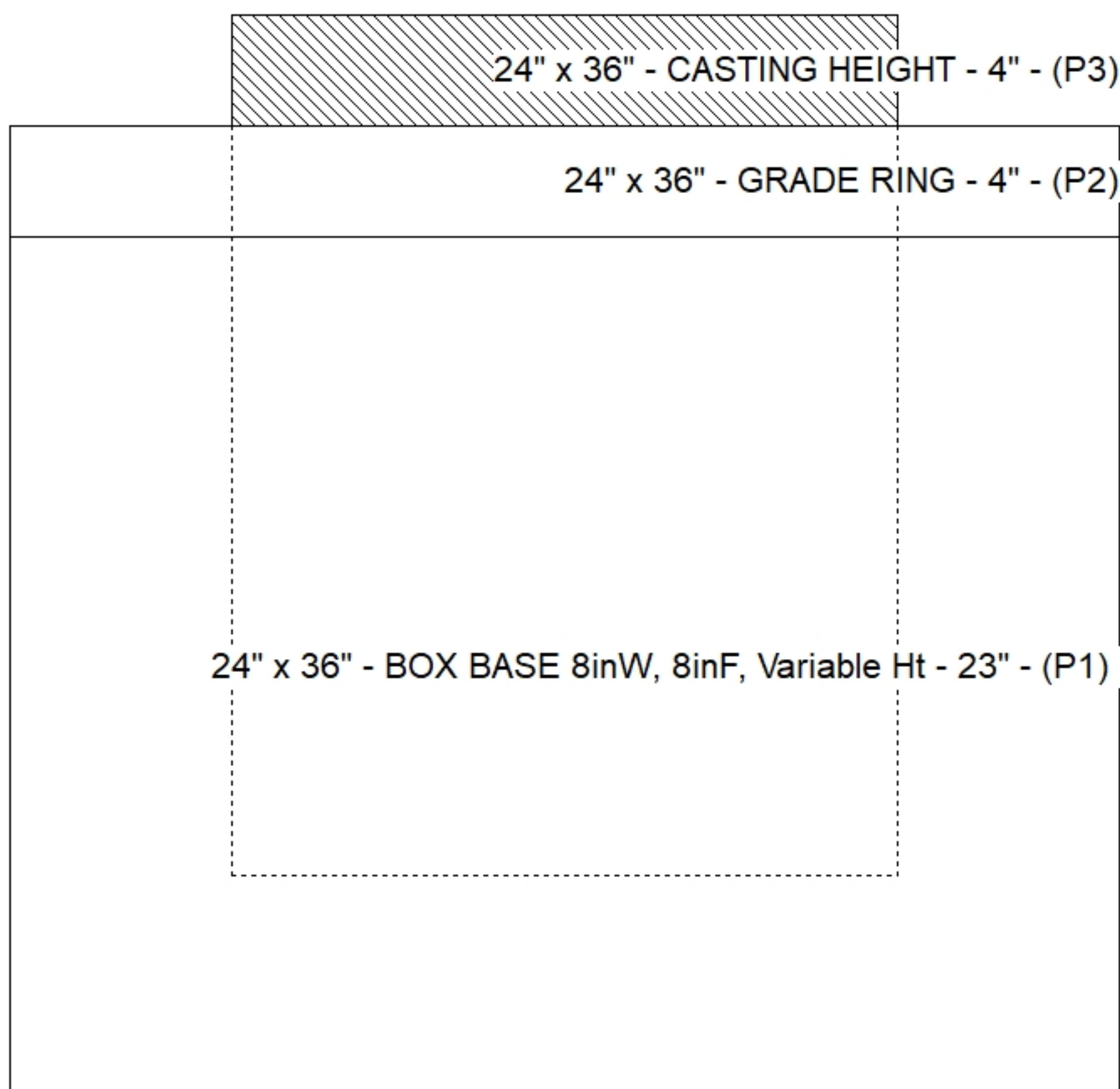
STRUCTURE SUMMARY:

P3) 24" x 36" - CASTING HEIGHT - 4"	0 lb
P2) 24" x 36" - GRADE RING - 4"	408 lb
P1) 24" x 36" - BOX BASE 8inW, 8inF, Variable Ht - 23"	3571 lb
2) 24" x 36" - SGL 1"x14.5' Butyl	0 lb
1) SQ. Hole - 16"x16"	0 lb
Structure Total:	3979 lb

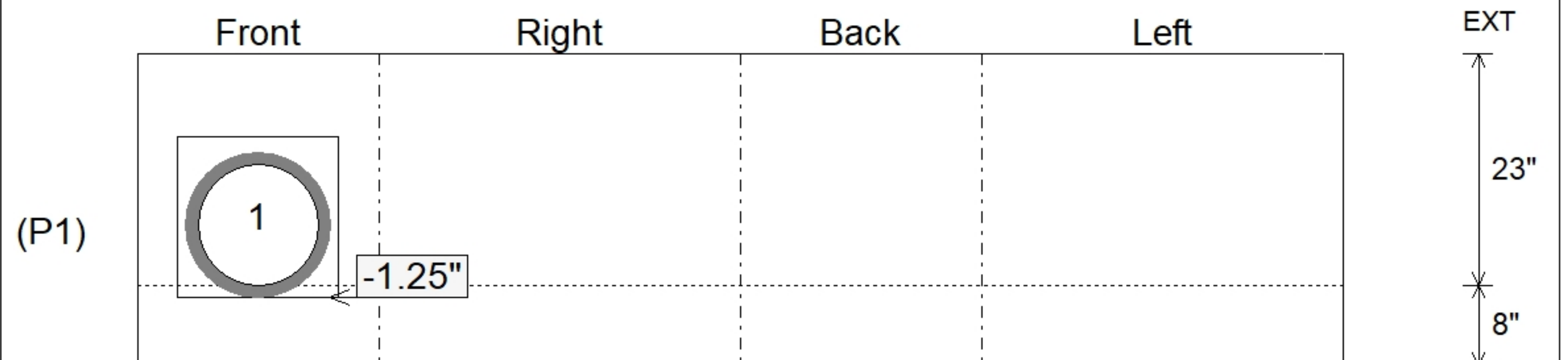


Invert: 1
 Degree: 0°

Position	Elev	Angle	Pipe	Pipe OD	Hole	Connector	Up ()	Ref
Rim	415.37'							
Reducer								
Invert 1	412.75'	0°	12" HDPE	14.5"	16" x 16"	SQ. Hole 16"x16"	-1.25"	P1
Invert 2								
Invert 3								
Invert 4								
Invert 5								
Invert 6								
Invert 7								
Invert 8								



Default - Interior Dimensions



Submittal Drawing
 12/2/2025 10:10:49 AM

SUBMITTAL
 APPROVED BY: