

**Job Name: 25-1965 ACEE'S MARKET & DELI**  
**Job Location: Fulton, KY**  
**Contractor: Rinker Underground**

PC: J. Jarvis  
 TECH: J. Coppage  
 Plant: Beaver Dam



Structure ID: **ST 11**  
 Spec: KYTC  
 Type: CBI TYPE A (5') MOD.  
 Size: 24" x 60"

Rim: 416.26'  
 Invert: 411.3'  
 Rim to Invert: 4.96'

Sump: 0"  
 Floor (Top): 411.3'  
 Floor Height: 8"

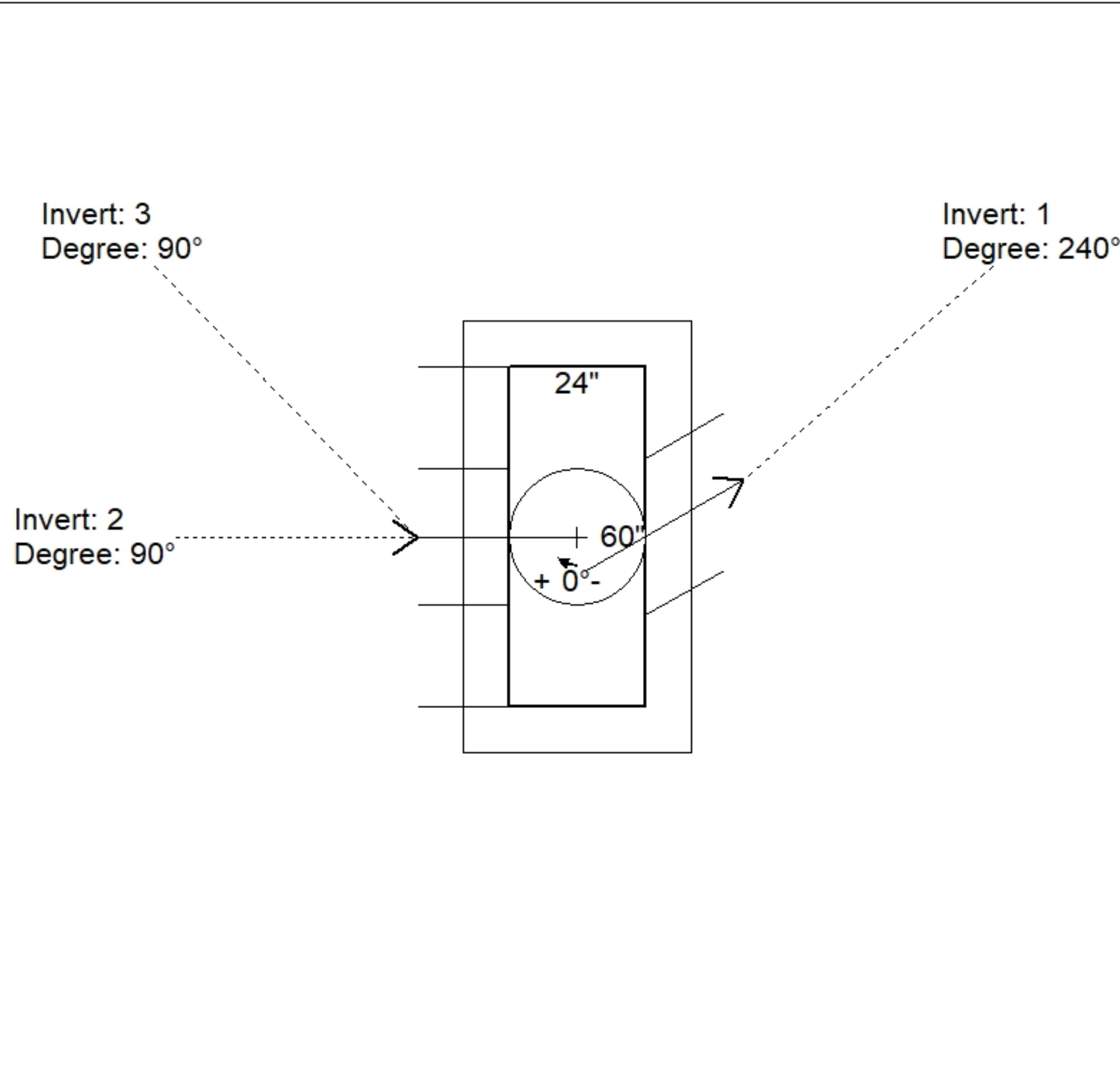
Floor (Bot): 410.633'  
 Overall Height: 5.583'  
 Slack: 0.52"

**Structure Notes:**

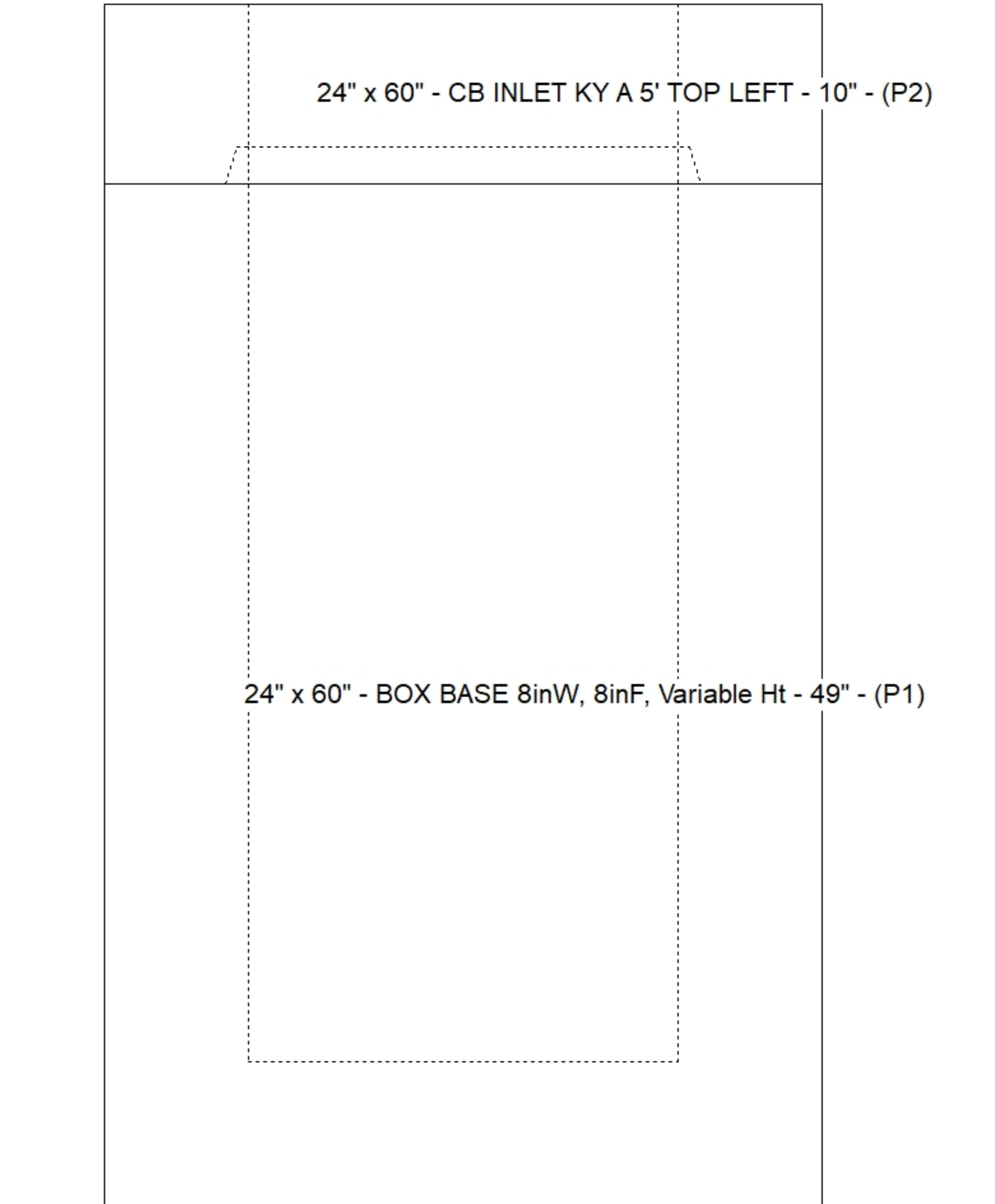
1. PER KYTC CBI TYPE A 5' (MOD) / ASTM C913 SPEC'S
2. CONCRETE = 4,000 PI AT 28 DAYS
4. REINFORCING PER ASTM A615 (GRADE 60)
  - TOP PHASE (As .62) #5 BARS AT 6" C.C.E.W.
  - WALLS (As .31) #5 BARS AT 12" C.C.E.W.
  - FLOOR (As .31) #5 BARS AT 12" C.C.E.W.
5. HOE KY-206 PROVIDED BY ICAST
7. #5 BAR @ 12" C.C. TO BE STUBBED OUT OF 8" DEEP THROAT (INVERT 3) FOR GUTTER POUR TIE-IN

**STRUCTURE SUMMARY:**

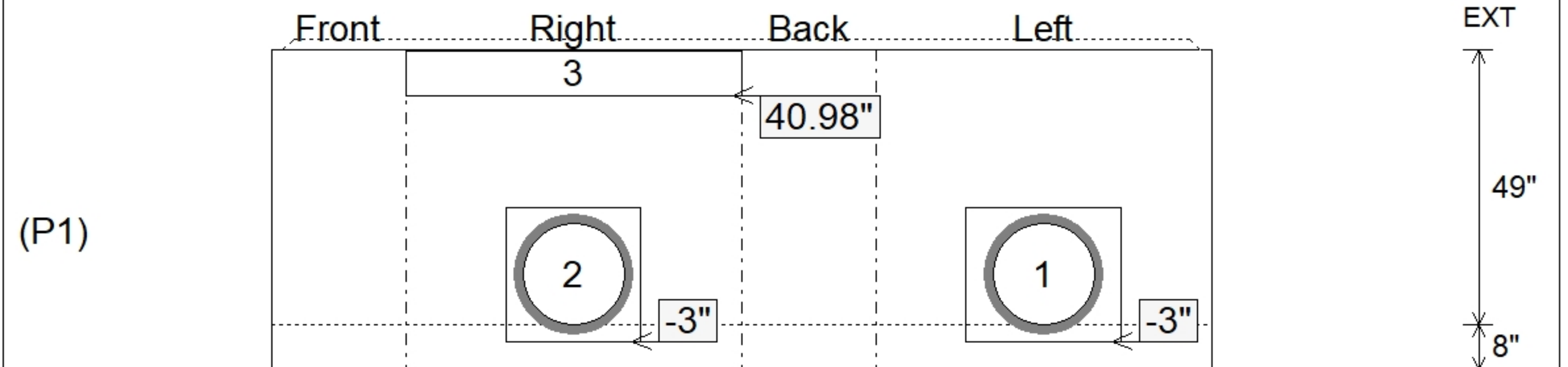
P2) 24" x 60" - CB INLET KY A 5' TOP LEFT - 10"	1895 lb
P1) 24" x 60" - BOX BASE 8inW, 8inF, Variable Ht - 49"	7545 lb
1) CASTING - HOE KY-206 F/C (KY TY1)	206 lb
1) 24" x 60" - Conseal CS-102 1.00"	0 lb
2) SQ. Hole - 24"x24"	0 lb
1) Horiz Slot - 60"x8"	0 lb
<b>Structure Total:</b>	<b>9646 lb</b>



Position	Elev	Angle	Pipe	Pipe OD	Hole	Connector	Up (")	Ref
Rim	416.26'							
Reducer								
Invert 1	411.3'	240°	18" HDPE	21.2"	24" x 24"	SQ. Hole 24"x24"	-3"	P1
Invert 2	411.3'	90°	18" HDPE	21.2"	24" x 24"	SQ. Hole 24"x24"	-3"	P1
Invert 3	414.715'	90°	60" x 8" Horiz Slot	60" x 8"	60" x 8"	Horiz Slot 60"x8"	40.98"	P1
Invert 4								
Invert 5								
Invert 6								
Invert 7								
Invert 8								



**Default - Interior Dimensions**



Submittal Drawing  
 12/2/2025 10:10:48 AM

SUBMITTAL  
 APPROVED BY: