

**Job Name: 25-1965 ACEE'S MARKET & DELI**  
**Job Location: Fulton, KY**  
**Contractor: Rinker Underground**

PC: J.Jarvis  
 TECH: J. Coppage  
 Plant: Beaver Dam



Structure ID: **ST 10**  
 Spec: KYTC  
 Type: CBI TYPE A (5') MOD.  
 Size: 24" x 60"

Rim: 415.56'  
 Invert: 410.85'  
 Rim to Invert: 4.71'

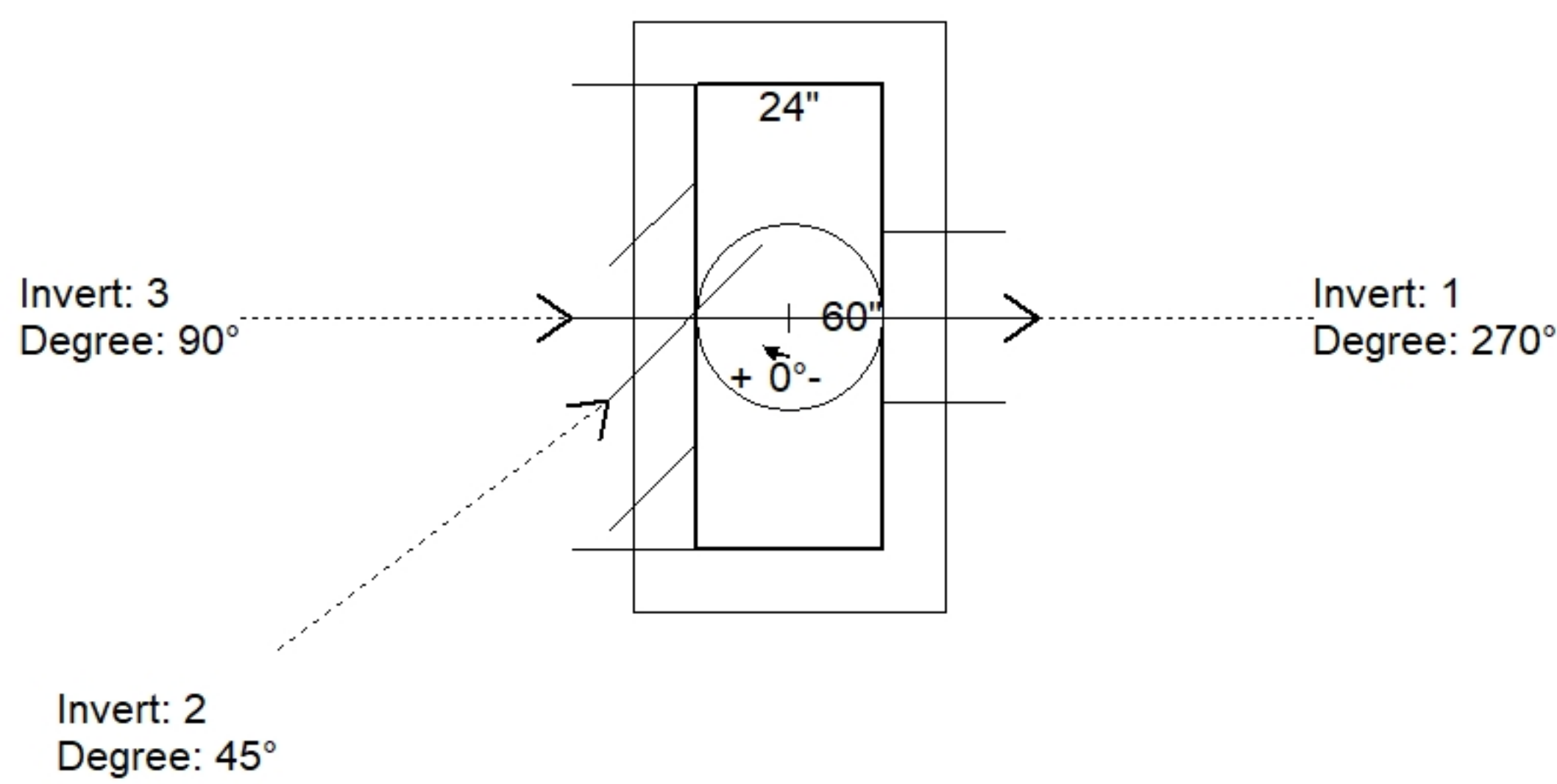
Sump: 0"  
 Floor (Top): 410.85'  
 Floor Height: 8"

Floor (Bot): 410.183'  
 Overall Height: 5.333'  
 Slack: 0.52"

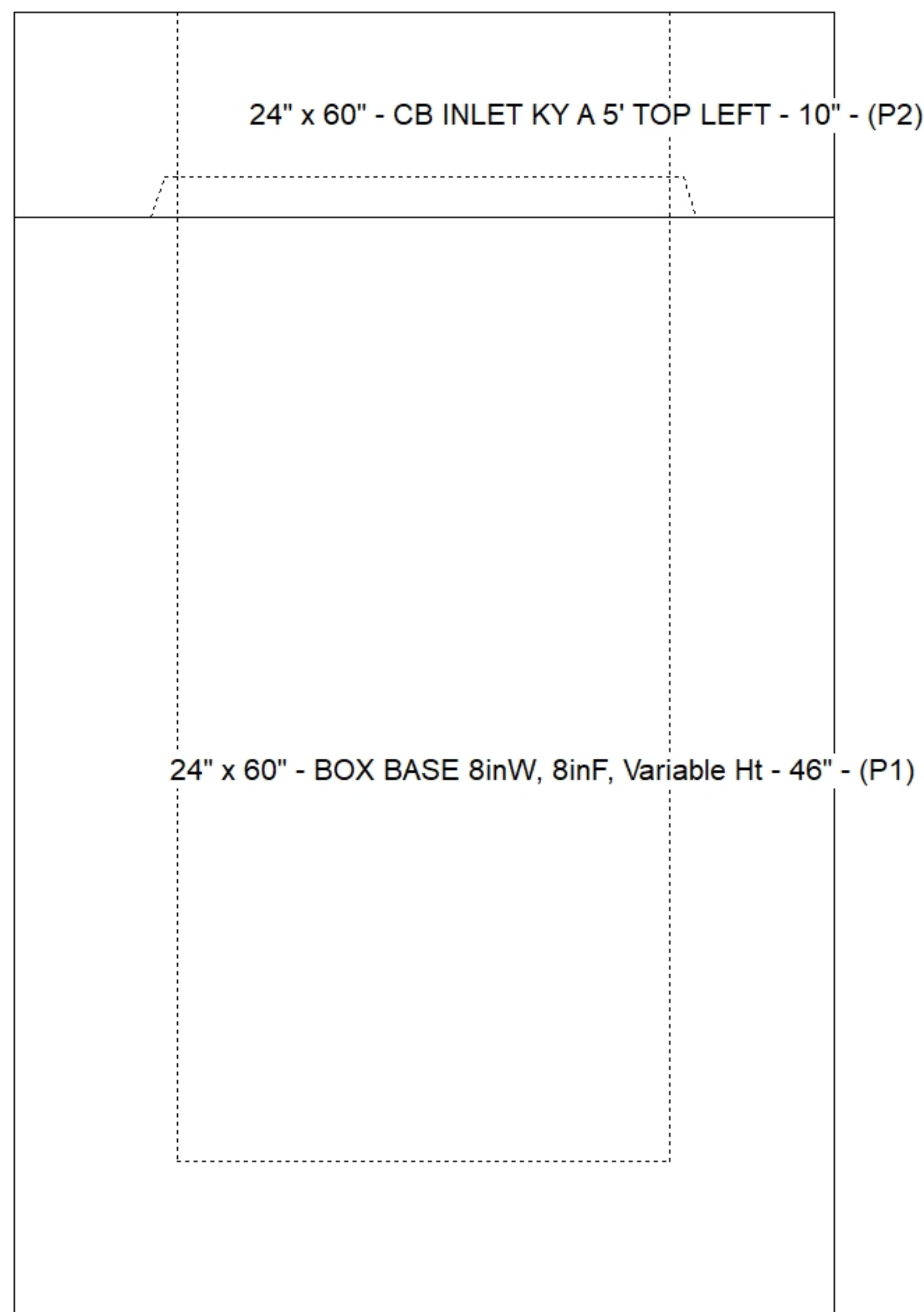
- Structure Notes:**
- PER KYTC CBI TYPE A 5' (MOD) / ASTM C913 SPEC'S
  - CONCRETE = 4,000 PI AT 28 DAYS
  - REINFORCING PER ASTM A615 (GRADE 60)
    - TOP PHASE (As .62) #5 BARS AT 6" C.C.E.W.
    - WALLS (As .31) #5 BARS AT 12" C.C.E.W.
    - FLOOR (As .31) #5 BARS AT 12" C.C.E.W.
  - HOE KY-206 PROVIDED BY ICAST
  - #5 BAR @ 12" C.C. TO BE STUBBED OUT OF 8" DEEP THROAT (INVERT 3) FOR GUTTER POUR TIE-IN

**STRUCTURE SUMMARY:**

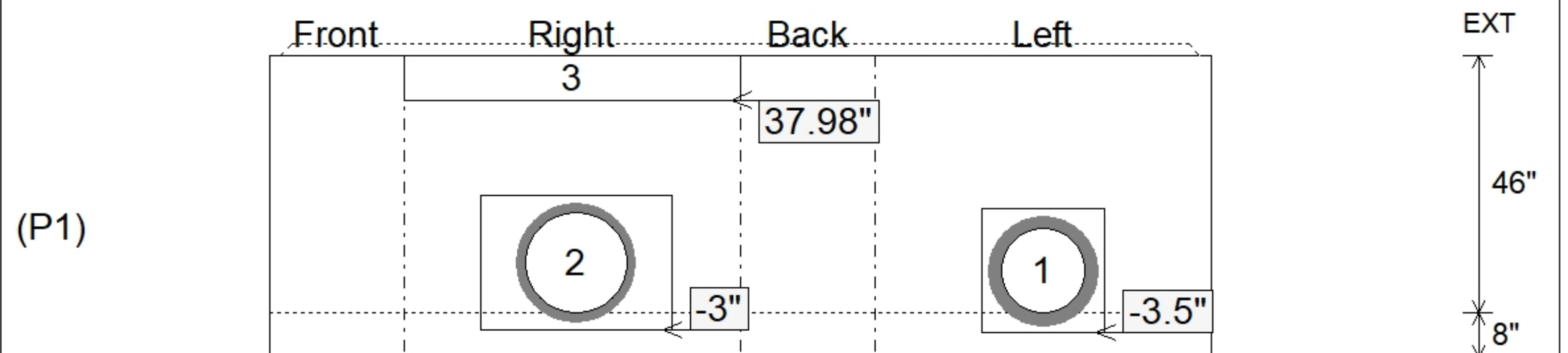
P2) 24" x 60" - CB INLET KY A 5' TOP LEFT - 10"	1895 lb
P1) 24" x 60" - BOX BASE 8inW, 8inF, Variable Ht - 46"	7103 lb
1) CASTING - HOE KY-206 F/C (KY TY1)	206 lb
1) 24" x 60" - Conseal CS-102 1.00"	0 lb
1) SQ. Hole - 22"x22"	0 lb
1) SQ. Hole - 24"x24"	0 lb
1) Horiz Slot - 60"x8"	0 lb
<b>Structure Total:</b>	<b>9204 lb</b>



Position	Elev	Angle	Pipe	Pipe OD	Hole	Connector	Up (")	Ref
Rim	415.56'							
Reducer								
Invert 1	410.85'	270°	15" RCP B WALL	19.5"	22" x 22"	SQ. Hole 22"x22"	-3.5"	P1
Invert 2	410.85'	45°	18" HDPE	21.2"	24" x 24"	SQ. Hole 24"x24"	-3"	P1
Invert 3	414.015'	90°	60" x 8" Horiz Slot	60" x 8"	60" x 8"	Horiz Slot 60"x8"	37.98"	P1
Invert 4								
Invert 5								
Invert 6								
Invert 7								
Invert 8								



**Default - Interior Dimensions**



Submittal Drawing  
 12/2/2025 10:10:47 AM

SUBMITTAL  
 APPROVED BY: