

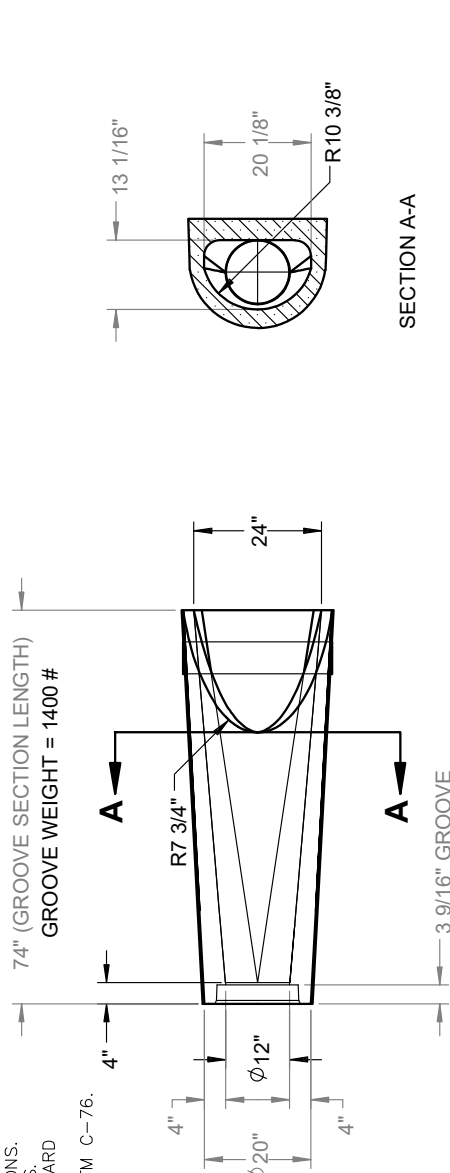


**Structure ID: FES-8**

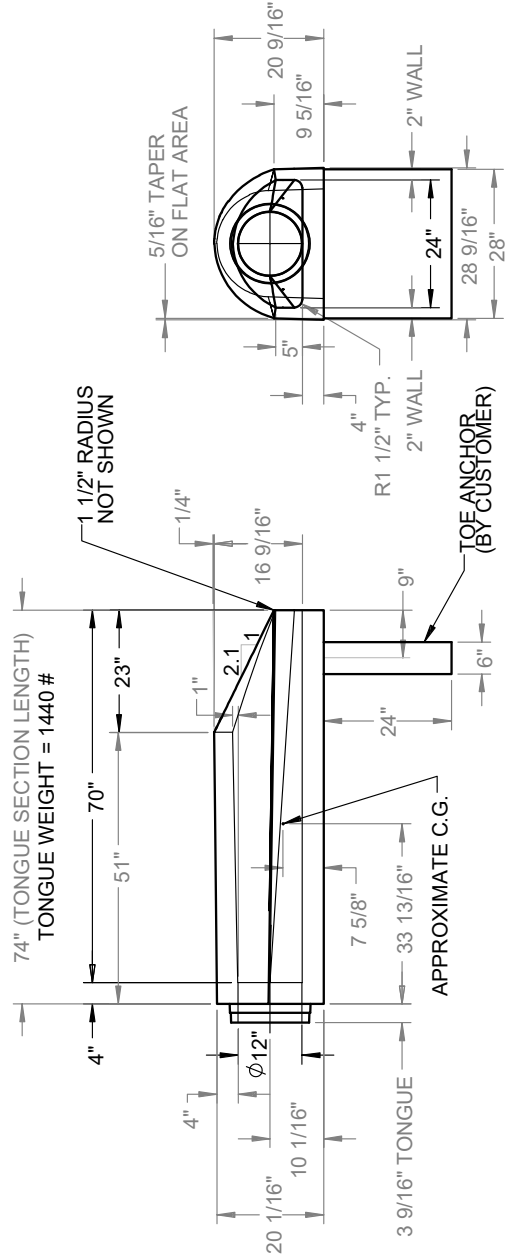
**P1 FES12B**

**12" - RCP FLARED END SECTION BELL (OUTLET)**

- GENERAL NOTES:**
1. FLARED END SECTION IS MANUFACTURED AND TESTED IN ACCORDANCE WITH ASTM C-76 OR ASTM C-655 AND AASHTO M-170 SPECIFICATIONS.
  2. ALL PIPE JOINTS MEET ASTM C-443 AND C-361 SPECIFICATIONS.
  3. INSTALL REINFORCED CONCRETE PIPE PER ASTM C-1479-STANDARD PRACTICE FOR INSTALLATION OF PRECAST CONCRETE PIPE.
  4. FLARED END SECTION REINFORCING IS IN ACCORDANCE WITH ASTM C-76.
  5. WEIGHT SHOWN IS CALCULATED USING 150 LBS. PER CUBIC FT. UNIT WEIGHT OF CONCRETE.



SECTION A-A



**ISOMETRIC VIEW**

