

**Job Name: 25-1965 ACEE'S MARKET & DELI**  
**Job Location: Fulton, KY**  
**Contractor: Rinker Underground**

PC: J.Jarvis  
 TECH: J. Coppinge  
 Plant: Beaver Dam



Structure ID: FES-2  
 Spec: Storm  
 Type: Headwalls  
 Size: 15"

Rim: 0'  
 Invert: 0'  
 Rim to Invert: 0'

Sump: 15"  
 Floor (Top): -1.25'  
 Floor Height: 0"

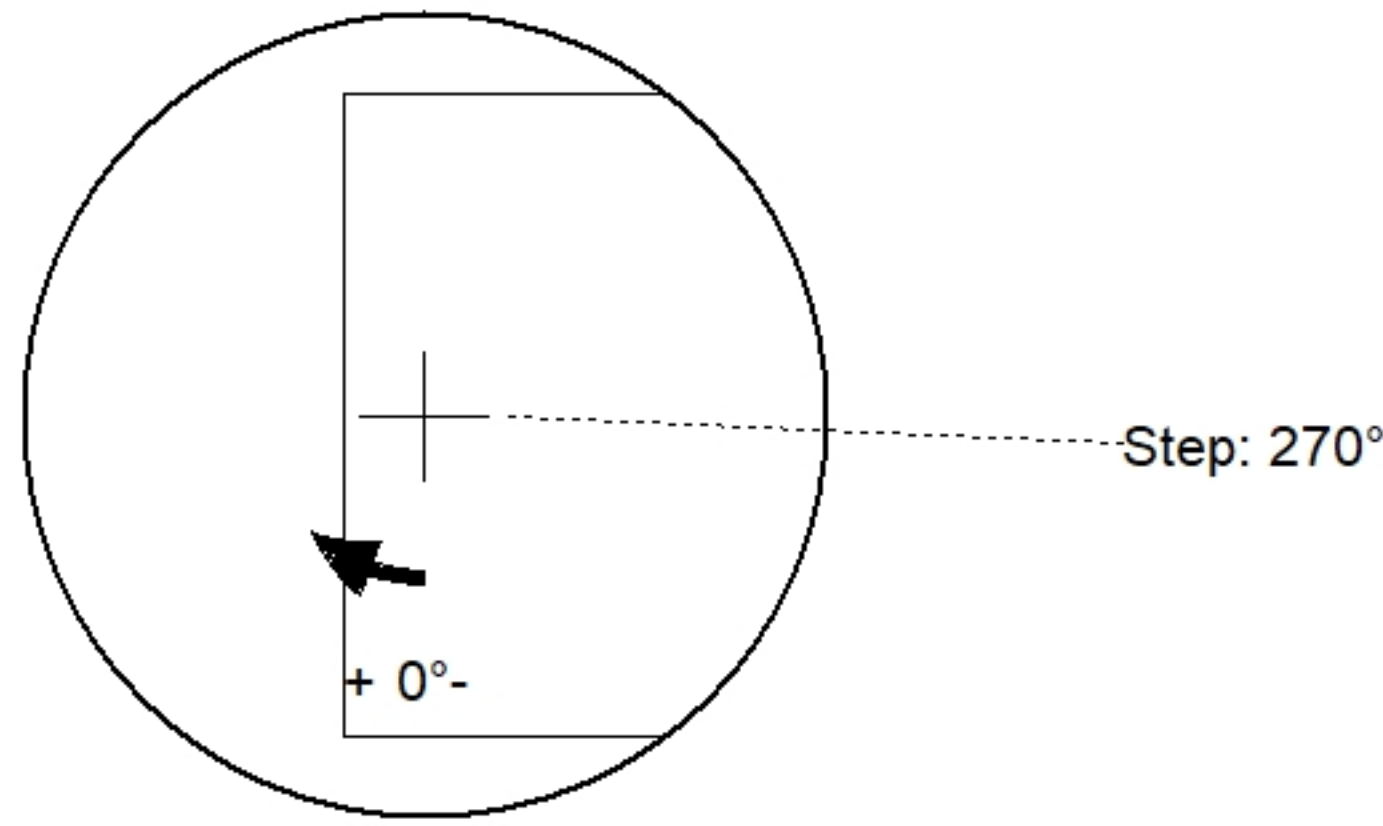
Floor (Bot): -1.25'  
 Overall Height: 1.25'  
 Slack: 0"

**Structure Notes:**

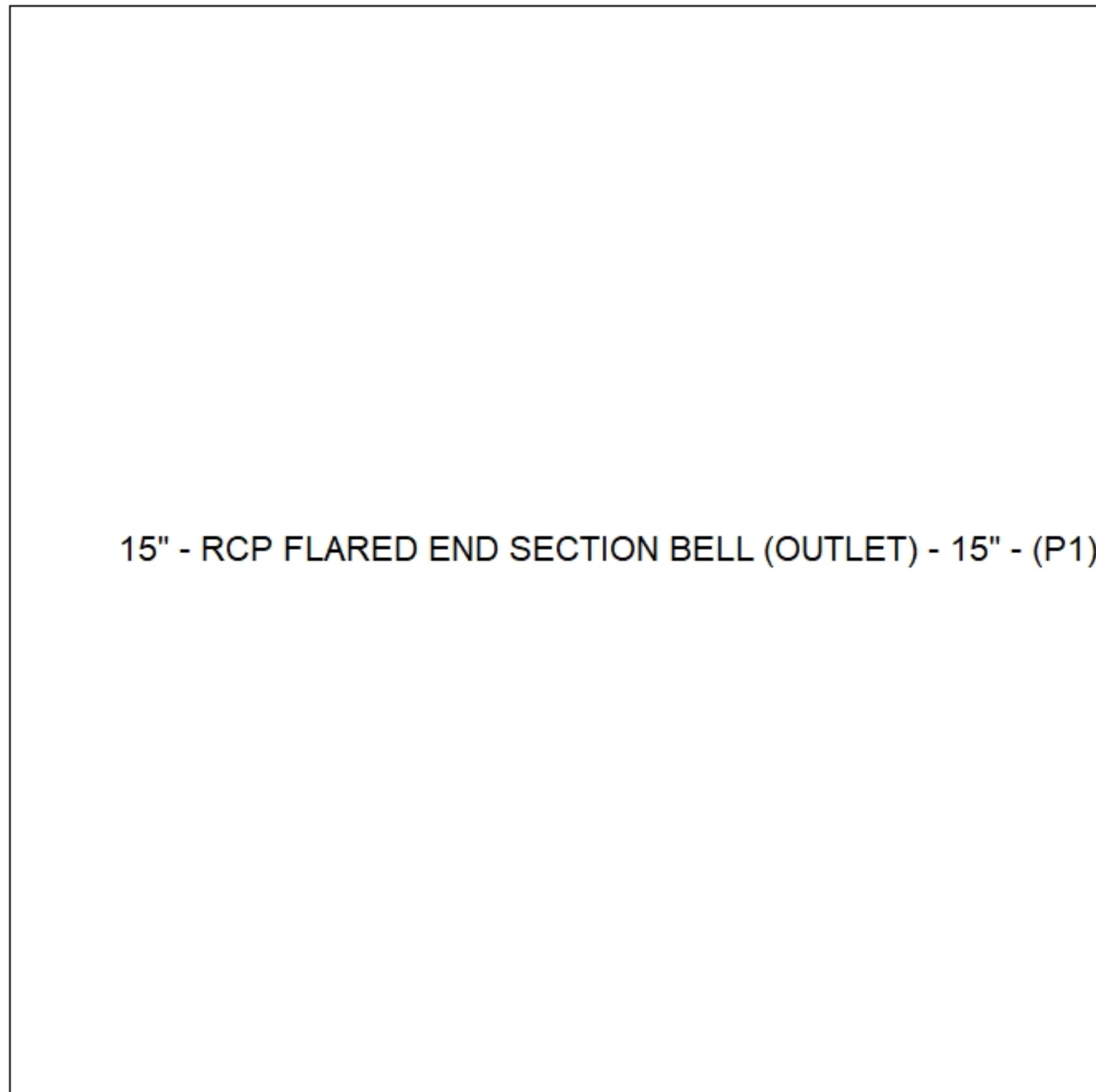
1. PER ASTM C478 SPECIFICATIONS.
  2. CONCRETE = 4,000 PSI AT 28 DAYS.
  3. REINFORCING PER ASTM A615 (GRADE 60).
  4. HOE MC-315 STORM PROVIDED BY ICAST
- TOP SLAB (As .62) #5 BARS AT 6" C.C.E.W..
  - RISER/WALLS (As .12)
  - FLOOR (As .31) #5 BARS AT 12" C.C.E.W.

**STRUCTURE SUMMARY:**

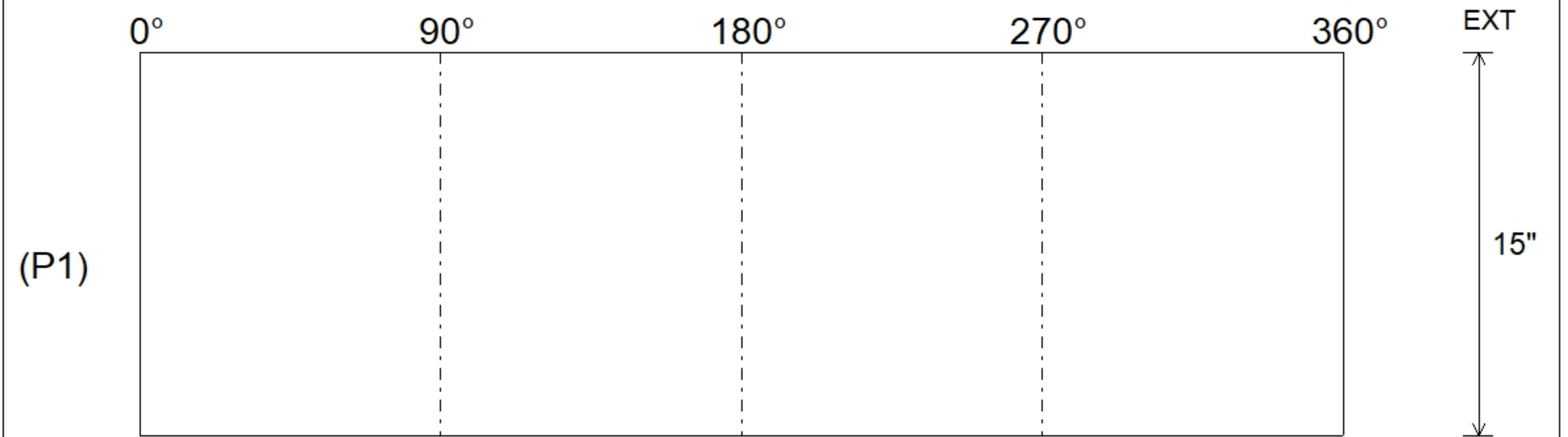
P1) 15" - RCP FLARED END SECTION BELL (OUTLET) - 15" 1160 lb  
 Structure Total: 1160 lb



Position	Elev	Angle	Pipe	Pipe OD	Hole	Connector	Up ( )	Ref
Rim	0'							
Reducer								
Invert 1								
Invert 2								
Invert 3								
Invert 4								
Invert 5								
Invert 6								
Invert 7								
Invert 8								



**Default - Interior Dimensions**



Submittal Drawing  
 12/2/2025 10:10:51 AM

SUBMITTAL  
 APPROVED BY: