

Job Name: 25-1965 ACEE'S MARKET & DELI
Job Location: Fulton, KY
Contractor: Rinker Underground

PC: J.Jarvis
 TECH: J. Coppage
 Plant: Beaver Dam



Structure ID: FES-1
 Spec: Storm
 Type: Headwalls
 Size: 15"

Rim: 0'
 Invert: 0'
 Rim to Invert: 0'

Sump: 15"
 Floor (Top): -1.25'
 Floor Height: 0"

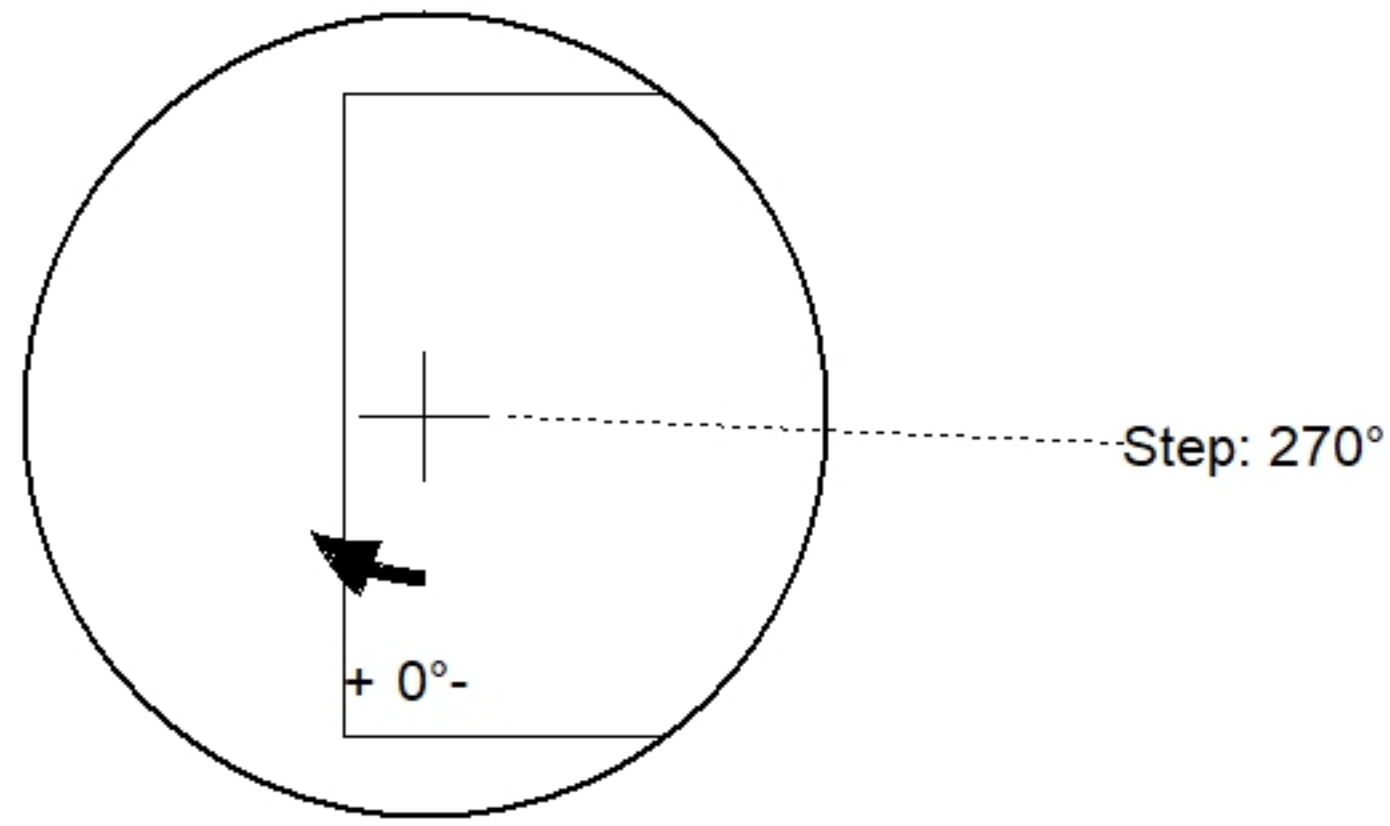
Floor (Bot): -1.25'
 Overall Height: 1.25'
 Slack: 0"

Structure Notes:

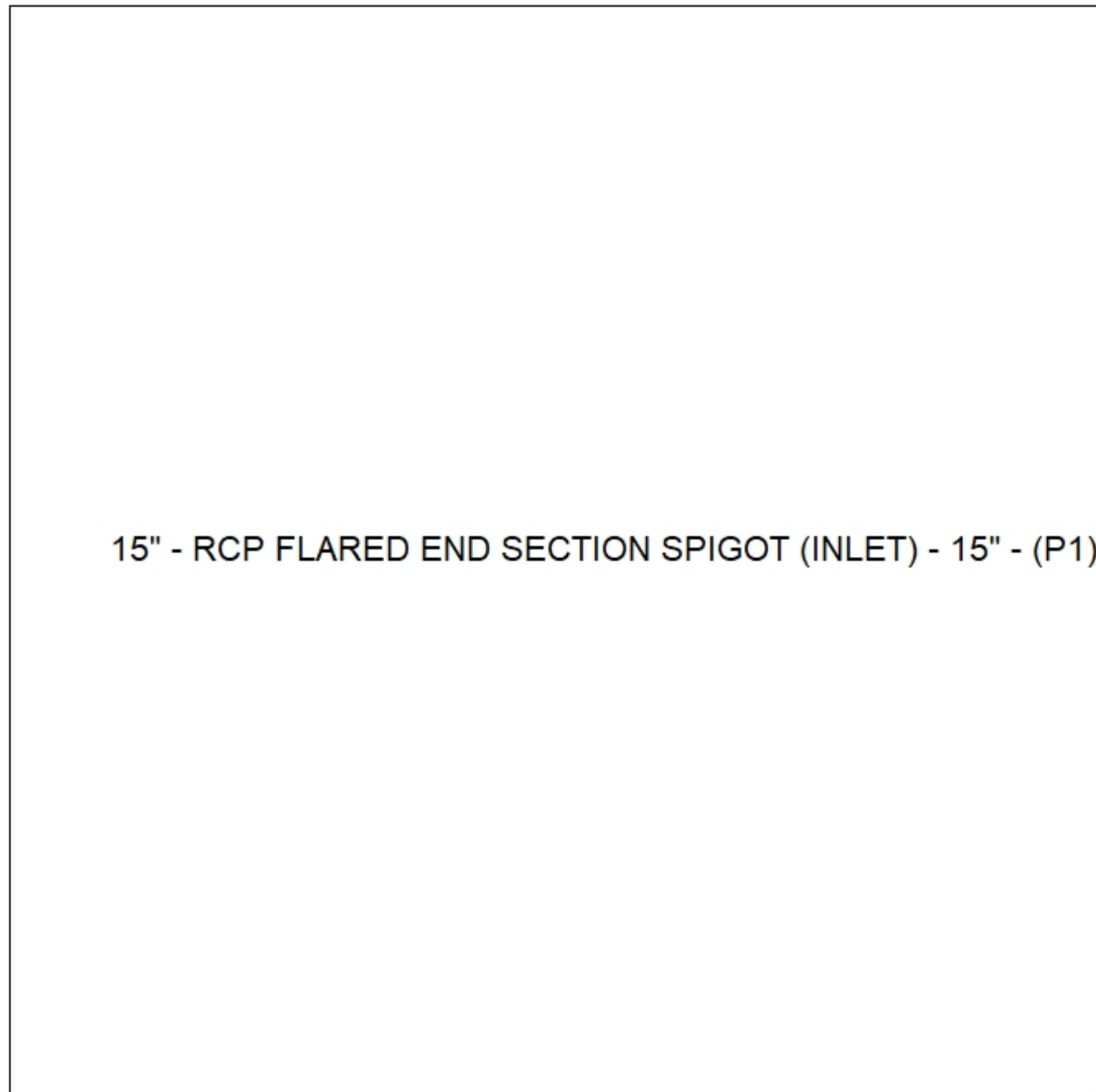
1. PER ASTM C478 SPECIFICATIONS.
 2. CONCRETE = 4,000 PSI AT 28 DAYS.
 3. REINFORCING PER ASTM A615 (GRADE 60).
 4. HOE MC-315 STORM PROVIDED BY ICAST
- TOP SLAB (As .62) #5 BARS AT 6" C.C.E.W..
 - RISER/WALLS (As .12)
 - FLOOR (As .31) #5 BARS AT 12" C.C.E.W.

STRUCTURE SUMMARY:

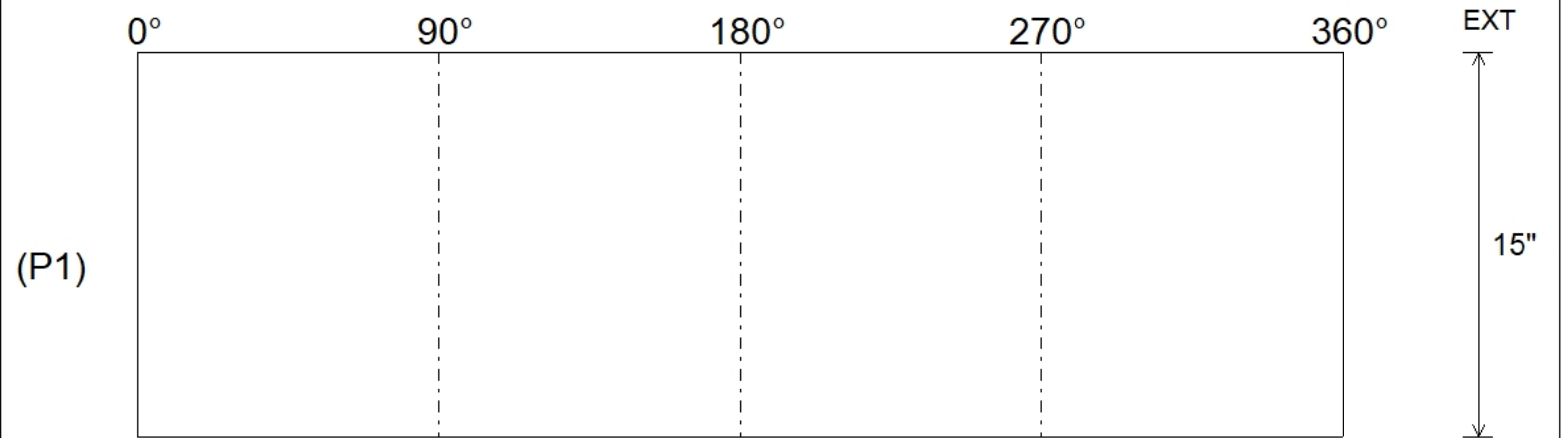
P1) 15" - RCP FLARED END SECTION SPIGOT (INLET) - 15" 1160 lb
 Structure Total: 1160 lb



Position	Elev	Angle	Pipe	Pipe OD	Hole	Connector	Up ()	Ref
Rim	0'							
Reducer								
Invert 1								
Invert 2								
Invert 3								
Invert 4								
Invert 5								
Invert 6								
Invert 7								
Invert 8								



Default - Interior Dimensions



Submittal Drawing
 12/2/2025 10:10:50 AM

SUBMITTAL
 APPROVED BY: